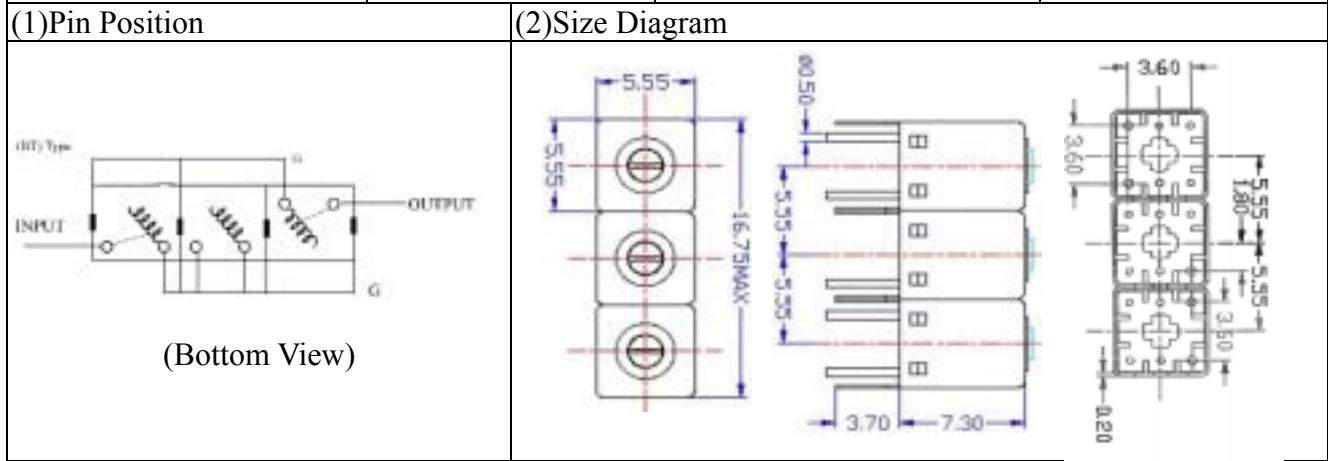
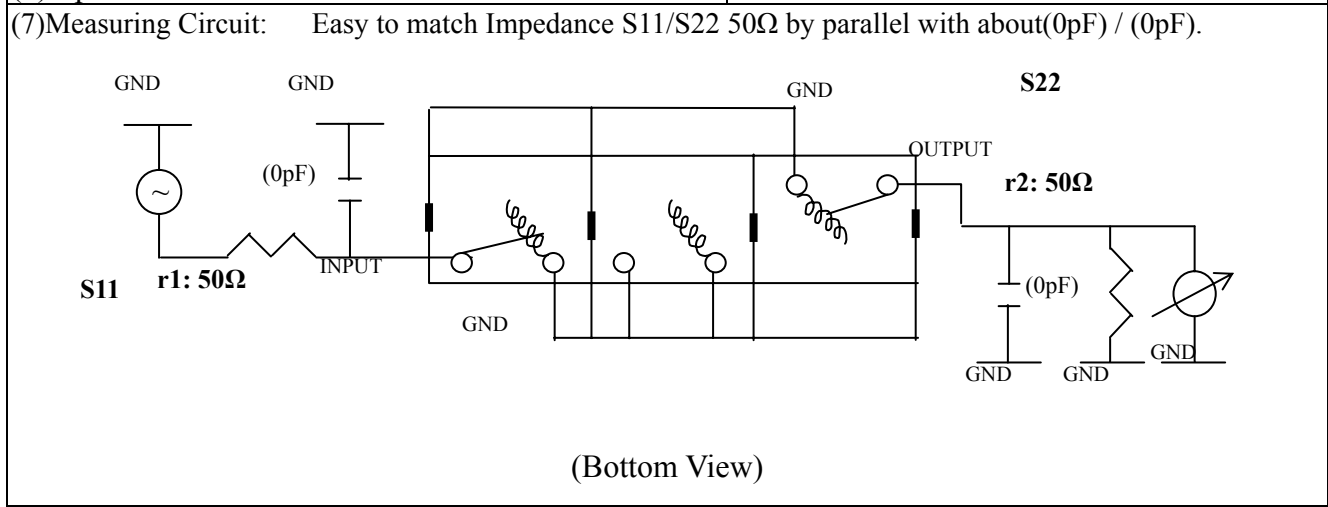


VHF UHF Helical Filter Specification Sheet

Customer Name		Temwell's Part No.	K3RBT-520M-14M
Approval No. /dated	0909066CD	Temwell,s print name	K3RBT 520M
Work Instruction No.	200909066CD	Date	Dec.02.2009



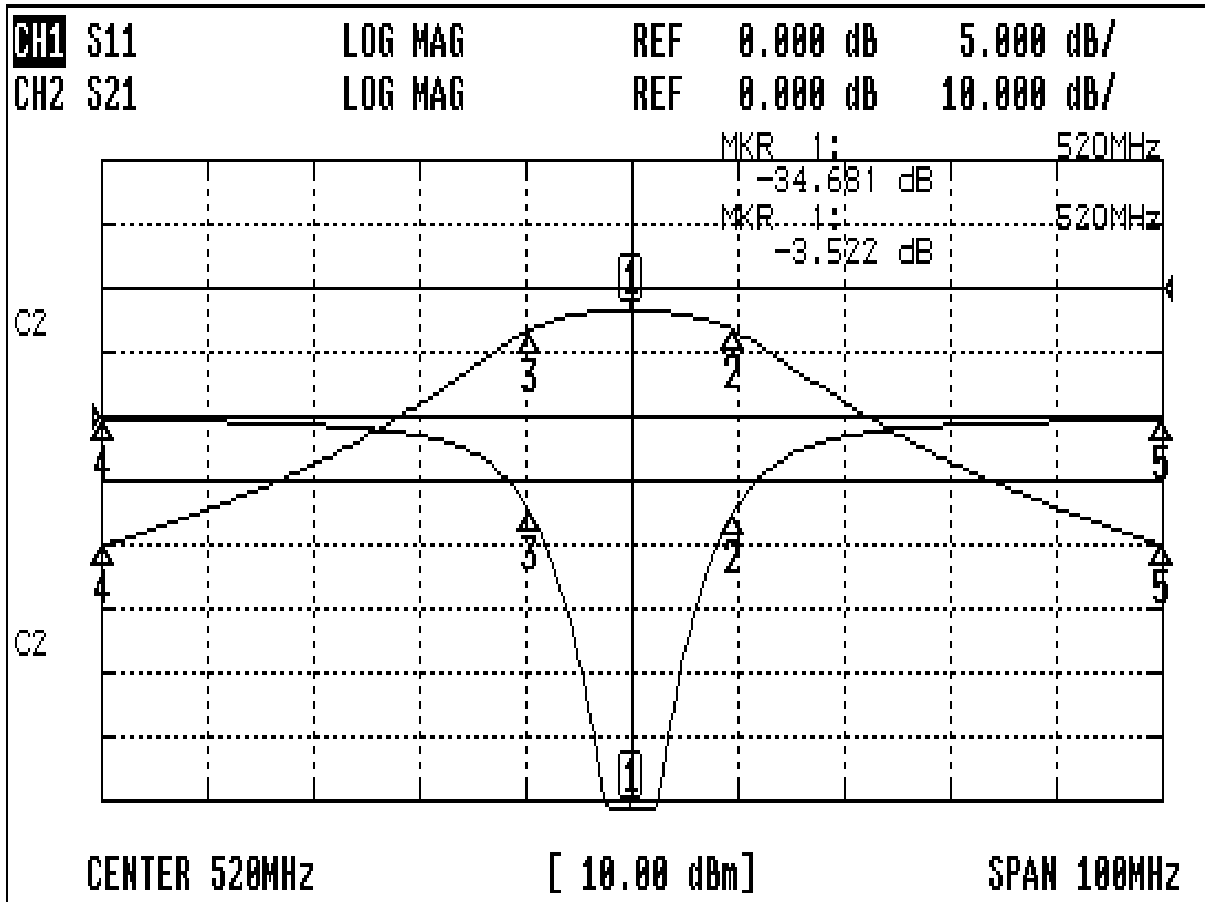
(3)Electric Charasteric	
Item	Specify
Center Freq.(Fo) +/- 0.5 %	520 MHz
Insertion Loss	Typ. 4.0 dB
-3 dB Bandwidth	Typ. 14 MHz
Sensitivity (Attenuation)	Fo - 50 MHz Typ. 25 dBc
	Fo + 50 MHz Typ. 22 dBc
	Fo - ()MHz Typ. dBc
	Fo +()MHz Typ. dBc
Return Loss	Min. 12 dB
Ripple	< 1 dB
Impedance	In / Out : 50 Ω
(4)Torque for Tuning Screw	> 60gf cm
(5)Temperature Condition:	
Operating Temperature	0 ~ +60
Storage Temperature	-20 ~ +70
(6)Input Power	> 1Watt



Approval	Supervisor	Designer	Aperture size
C.Y.Chang	C.K.Chang	C.H.Yeh	5R3S(3.8*3.7)(3.76) 5HW024LB3
TEMWELL CORPORATION			

Performance-K3RBT-520M-14M

200909066CD



CH1 MARKER LIST

1	520.000MHz	-34.681 dB
2	529.500MHz	-7.728 dB
3	510.416MHz	-7.447 dB
4	470.000MHz	-0.294 dB
5	570.000MHz	-0.312 dB

CH2 MARKER LIST

1	520.000MHz	-3.527 dB
2	529.500MHz	-6.527 dB
3	510.416MHz	-6.525 dB
4	470.000MHz	-40.162 dB
5	570.000MHz	-40.008 dB