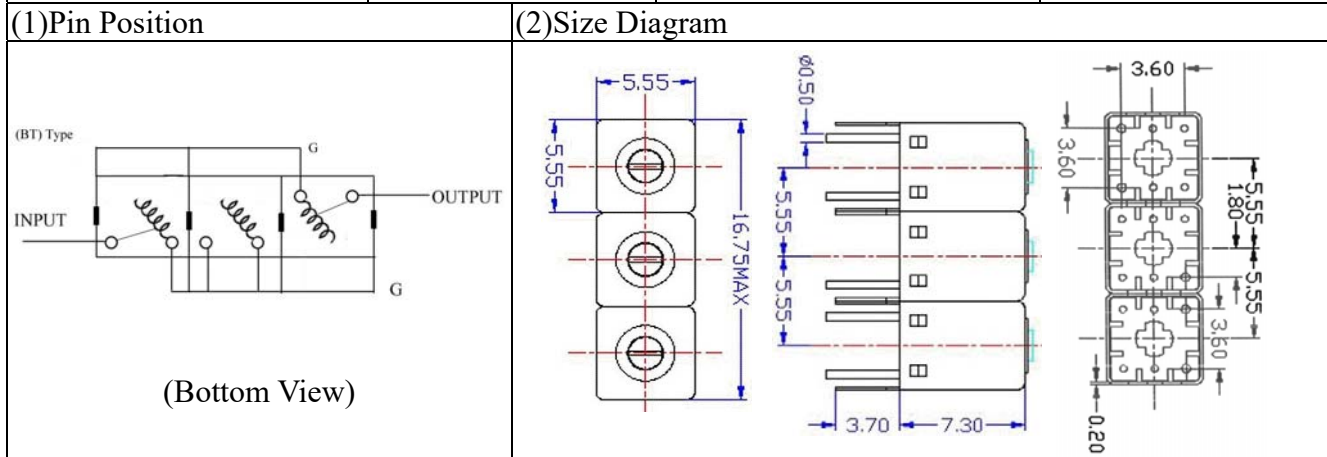
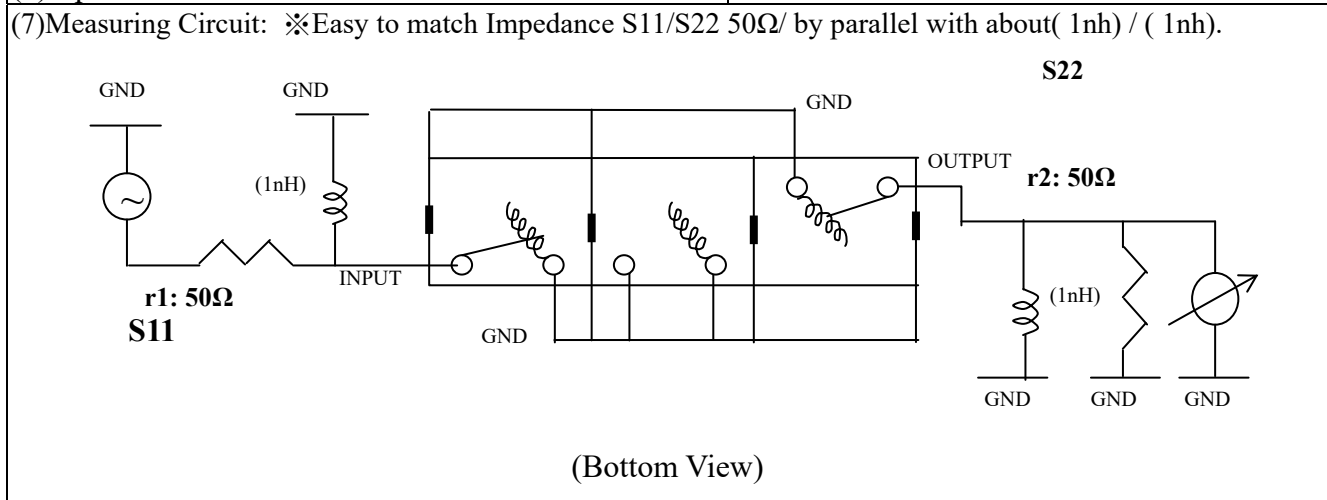


VHF UHF Helical Filter Specification Sheet

| | | | |
|----------------------|------------|---------------------|----------------|
| Customer Name | | Temwell's Part No. | K3RBT-590M-18M |
| Approval No. /dated | 20403034DC | Customer's Part No. | |
| Work Instruction No. | 20403034DC | Date | Mar.17.2004 |



| (3) Electric Characteristic | | | |
|---|-------------|-----------------|-----|
| Item | | Specify | |
| Center Freq.(Fo) +/- 0.5 % | | 590 | MHz |
| Insertion Loss | | Typ. 4.0 | dB |
| -3 dB Bandwidth | | Typ. 18 | MHz |
| Sensitivity (Attenuation) | Fo - 50 MHz | Typ. 27 | dBc |
| | Fo + 50 MHz | Typ. 25 | dBc |
| | Fo - ()MHz | Typ. | dBc |
| | Fo +()MHz | Typ. | dBc |
| Return Loss | | Min. 12 | dB |
| Ripple | | < 1 dB | |
| Impedance | | In / Out : 50 Ω | |
| (4) Torque for Tuning Screw > 60gf · cm | | | |
| (5) Temperature Condition: | | | |
| Operating Temperature | | 0°C ~ +60°C | |
| Storage Temperature | | 20°C ~ +70°C | |
| (6) Input Power | | > 1Watt | |



| | | | |
|-----------|------------|----------|---------------------------------|
| Approval | Supervisor | Designer | Aperture size |
| C.Y.Chang | C.S.Chang | Enlan | 5w3(3.8*3.5)(3.64) 5HW024LB3 |

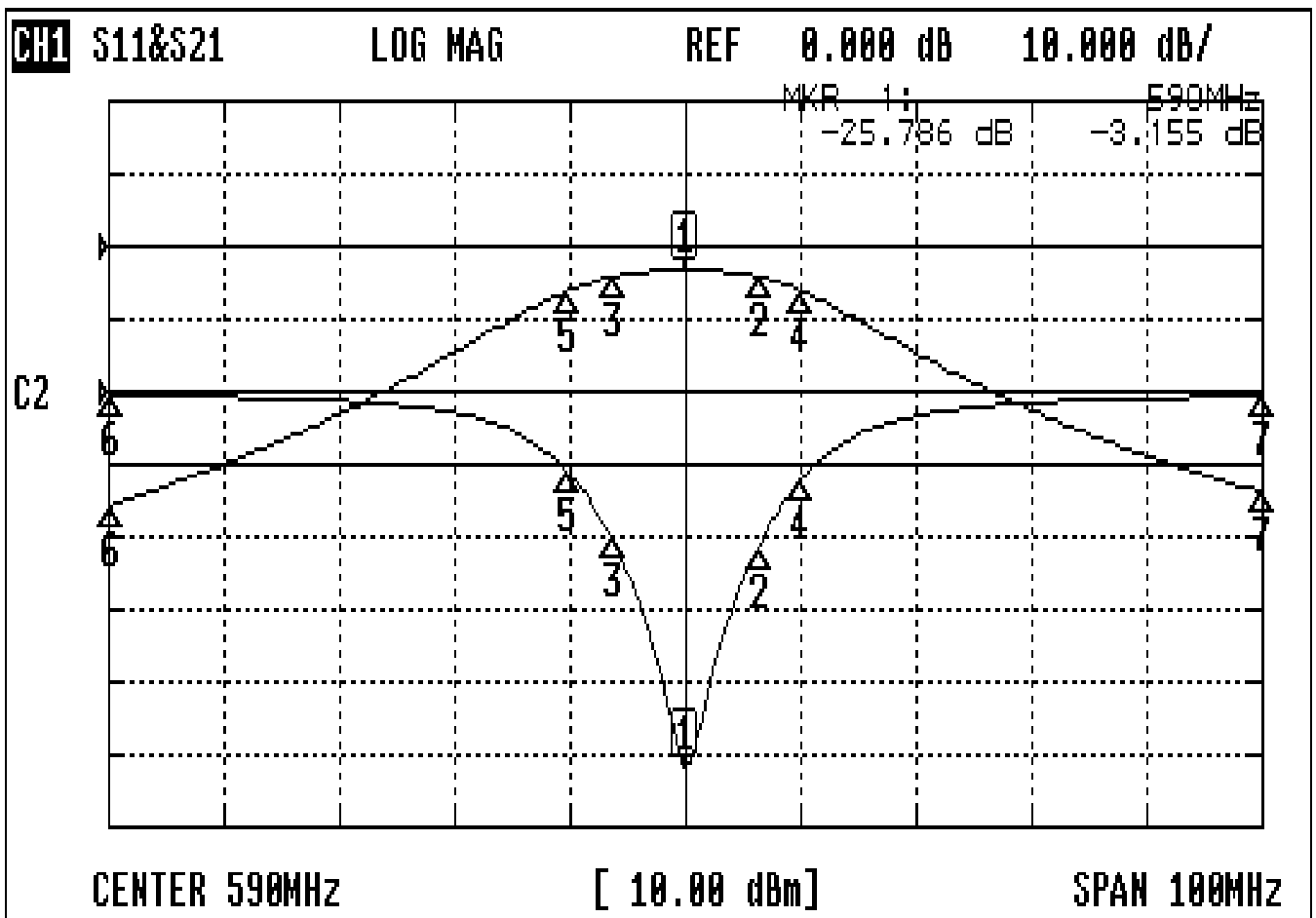
TEMWELL CORPORATION

TEMWELL

Form10-5R3BT Vision D

Performance-K3RBT-590M-18M

20403034DC



CH1 MARKER LIST

| | | | |
|-----|------------|------------|------------|
| 1: | 590.000MHz | -25.786 dB | -3.155 dB |
| 2: | 596.333MHz | -10.704 dB | -4.184 dB |
| 3: | 583.666MHz | -10.871 dB | -4.173 dB |
| 4: | 600.000MHz | -6.111 dB | -6.107 dB |
| 5: | 579.750MHz | -5.471 dB | -6.139 dB |
| 6: | 540.000MHz | -0.256 dB | -35.645 dB |
| 7: | 640.000MHz | -0.320 dB | -33.897 dB |
| 8: | | | |
| 9: | | | |
| 10: | | | |