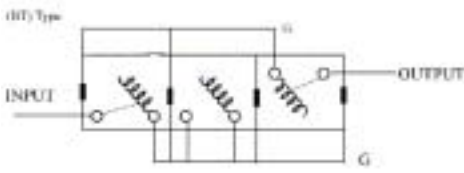
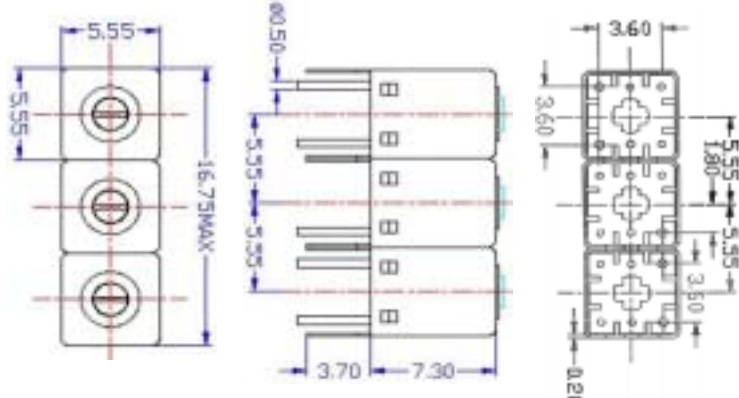


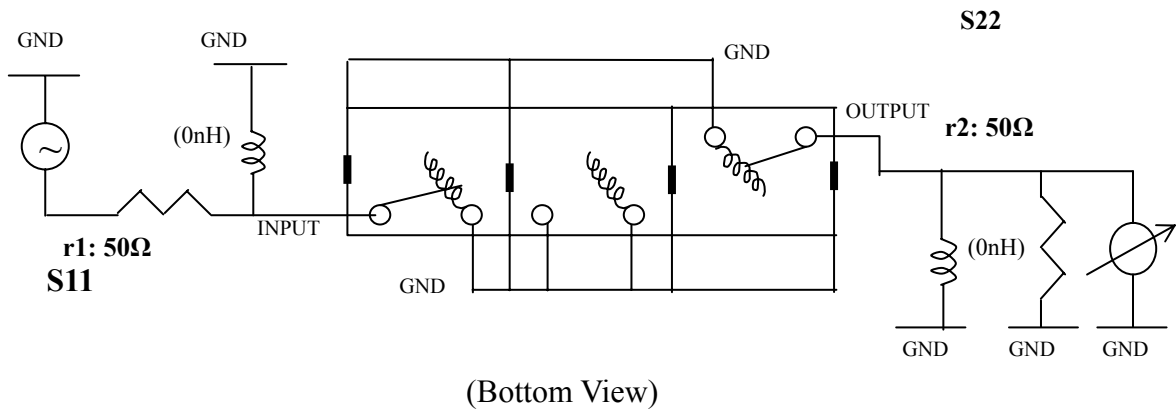
VHF UHF Helical Filter Specification Sheet

Customer Name		Temwell's Part No.	K3RBT-862M-20M
Approval No. /dated	0907064CD	Temwell,s print name	K3RBT 862M
Work Instruction No.	200907064CD	Date	Jul.24.2009

(1)Pin Position	(2)Size Diagram
 <p>(Bottom View)</p>	

(3)Electric Character	
Item	Specify
Center Freq.(Fo) +/- 0.5 %	862 MHz
Insertion Loss	Typ. 4.0 dB
-3 dB Bandwidth	Typ. 20 MHz
Sensitivity (Attenuation)	Fo - 50 MHz Typ. 24 dBc
	Fo + 50 MHz Typ. 20 dBc
	Fo - ()MHz Typ. dBc
	Fo +()MHz Typ. dBc
Return Loss	Min. 12 dB
Ripple	< 1 dB
Impedance	In / Out : 50 Ω
(4)Torque for Tuning Screw	> 60gf cm
(5)Temperature Condition:	
Operating Temperature	0 ~ +60
Storage Temperature	-20 ~ +70
(6)Input Power	> 0.5Watt

(7)Measuring Circuit: Easy to match Impedance S11/S22 50Ω by parallel with about(0 nH) / (0 nH).

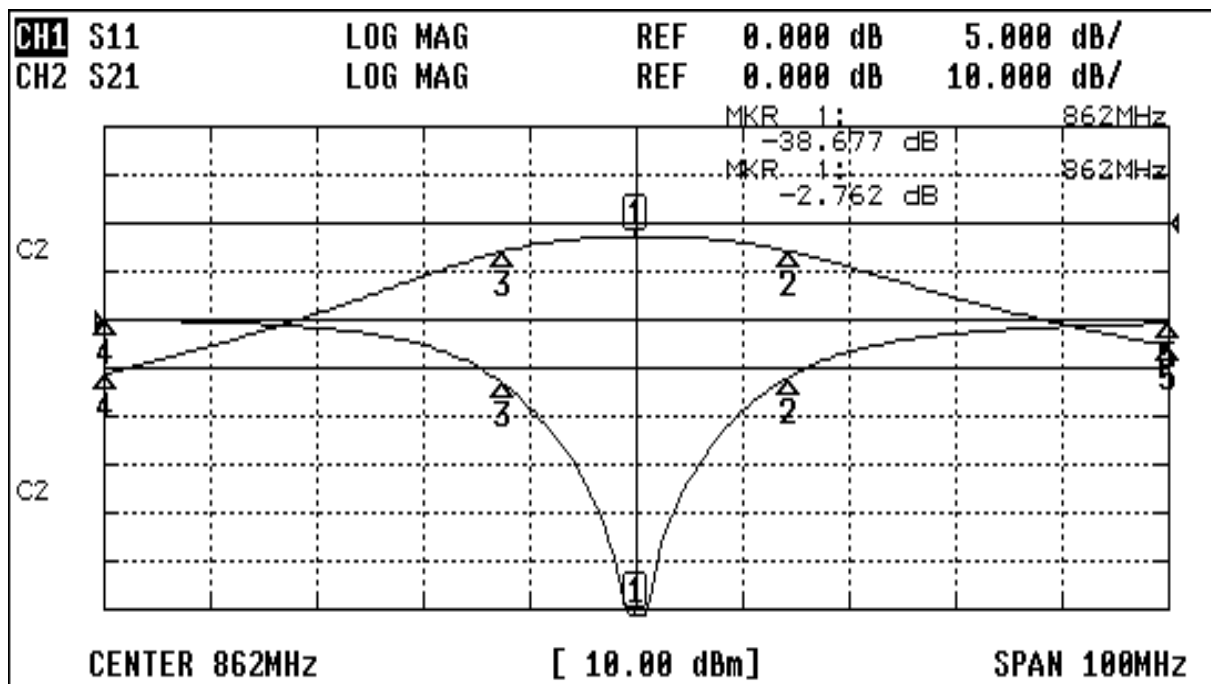


Approval	Supervisor	Designer	Aperture size
C.Y.Chang	C.K.Chang	C.H.Yeh	5R3S(3.8*4.2)(4.27) 5HW024RB3

TEMWELL CORPORATION

Performance-K3RBT-862M-20M

200907064CD



CH1 MARKER LIST			
1	862.0000MHz	-38.677	dB
2	76.2500MHz	-6.966	dB
3	49.5833MHz	-6.672	dB
4	12.0000MHz	-0.022	dB
5	12.0000MHz	-0.370	dB

CH2 MARKER LIST			
1	862.0000MHz	-2.762	dB
2	76.2500MHz	-5.780	dB
3	49.5833MHz	-5.740	dB
4	12.0000MHz	-31.305	dB
5	12.0000MHz	-25.375	dB