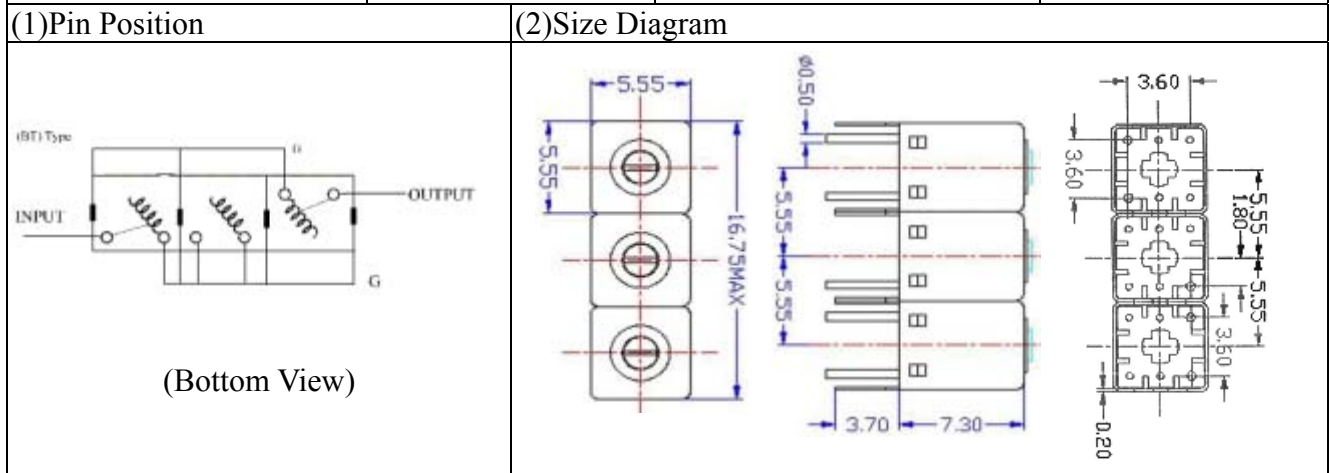


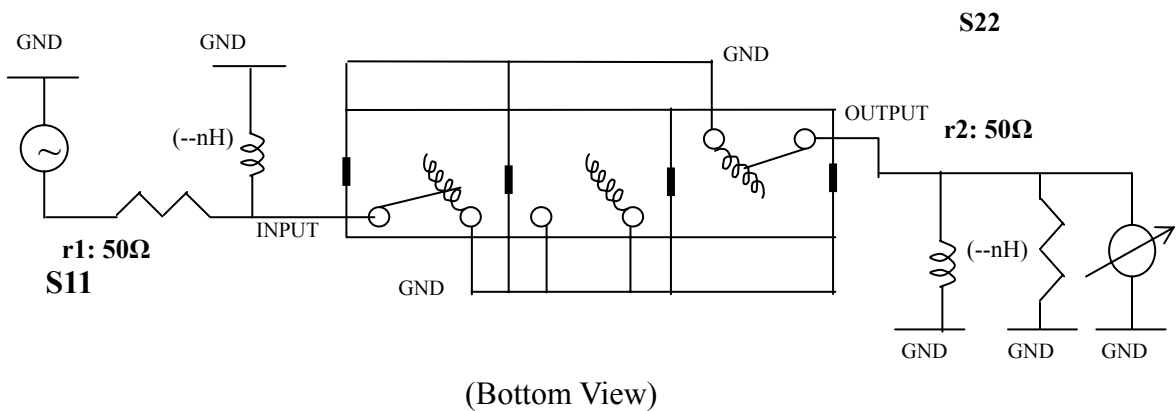
VHF UHF Helical Filter Specification Sheet

Customer Name		Temwell's Part No.	K3RBT-945M-20M
Approval No. /dated	0903056ED	Temwell,s print name	K3RBT 945M
Work Instruction No.	200903056ED	Date	Mar.11.2009



(3)Electric Character	
Item	Specify
Center Freq.(Fo) +/- 0.5 %	945 MHz
Insertion Loss	Typ. 4.5 dB
-3 dB Bandwidth	Typ. 20 MHz
Sensitivity (Attenuation)	Fo - 50 MHz Typ. 22 dBc
	Fo + 50 MHz Typ. 18 dBc
	Fo - ()MHz Typ. dBc
	Fo +()MHz Typ. dBc
Return Loss	Min. 12 dB
Ripple	< 1 dB
Impedance	In / Out : 50 Ω
(4)Torque for Tuning Screw	> 60gf cm
(5)Temperature Condition:	
Operating Temperature	0 ~ +60
Storage Temperature	-20 ~ +70
(6)Input Power	> 0.5Watt

(7)Measuring Circuit: Easy to match Impedance S11/S22 50Ω by parallel with about(-- nH) / (-- nH).



Approval	Supervisor	Designer	Aperture size
C.Y.Chang	C.K.Chang	C.S.Chang	5R3S(3.8*3.7)(3.79) 5HW024RB3
TEMWELL CORPORATION			

Performance-K3RBT-945M-20M

200903056ED

