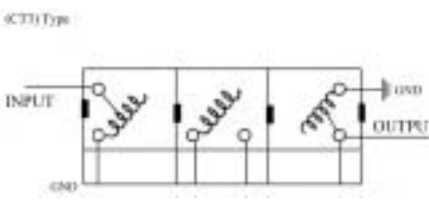
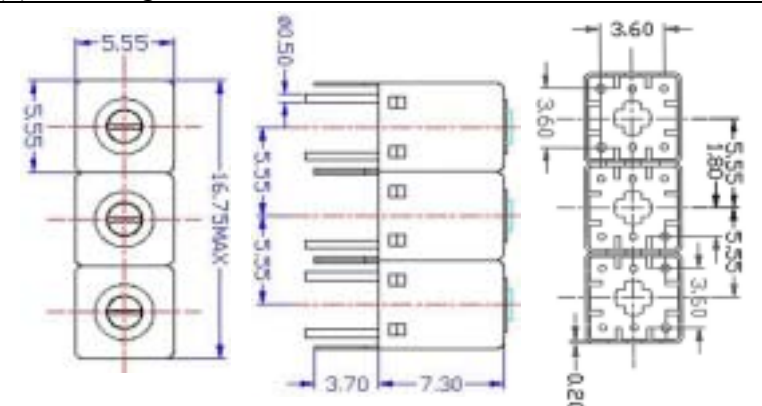
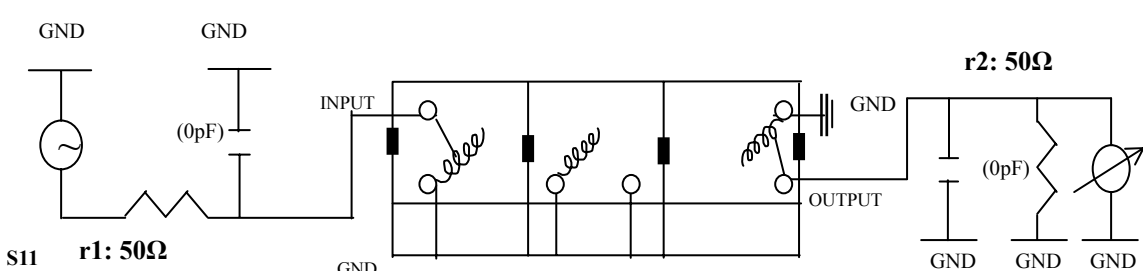


# VHF UHF Helical Filter Specification Sheet

Customer Name		Temwell's Part No.	K3RCT3-1230M-20M
Approval No. /dated	0907089CD	Temwell,s print name	K3RCT3 1230M
Work Instruction No.	200907089CD	Date	Jul.30.2009

(1)Pin Position	(2)Size Diagram
 <p>(Bottom View)</p>	

(3)Electric Charasteric	
Item	Specify
Center Freq.(Fo ) +/- 0.5 %	1230 MHz
Insertion Loss	Typ. 4.5 dB
-3 dB Bandwidth	Typ. 20 MHz
Sensitivity (Attenuation )	Fo - 50 MHz Typ. 20 dBc
	Fo + 50 MHz Typ. 16 dBc
	Fo - ( )MHz Typ. dBc
	Fo +( )MHz Typ. dBc
Return Loss	Min. 12 dB
Ripple	< 1 dB
Impedance	In / Out : 50 Ω
(4)Torque for Tuning Screw	> 60gf cm
(5)Temperature Condition:	
Operating Temperature	0 ~ +60
Storage Temperature	-20 ~ +70
(6)Input Power	> 0.5Watt

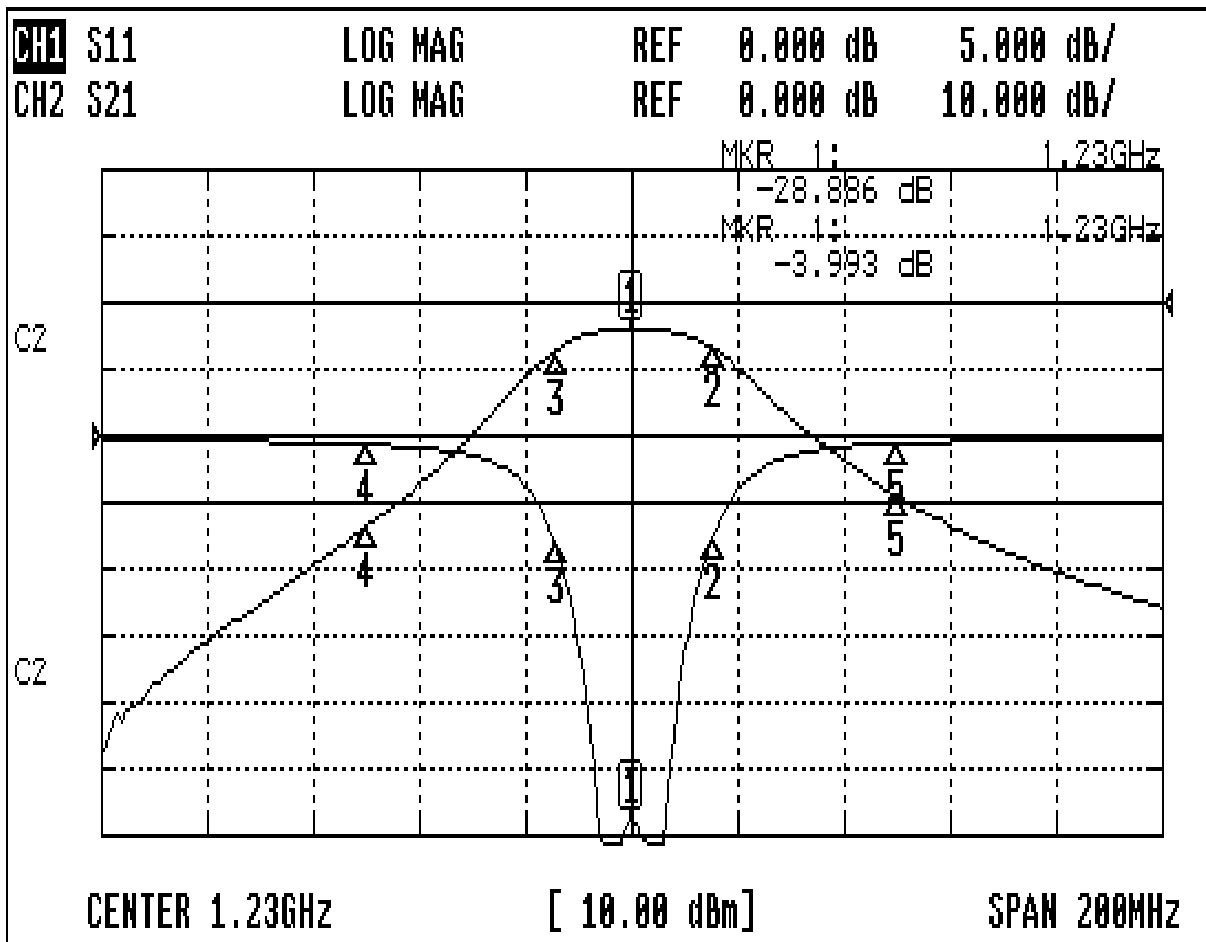
(7)Measuring Circuit:	Easy to match Impedance S11/S22 50Ω/ by parallel with about( 0 pF) / ( 0 pF).
S22	
	
(Bottom View)	

Approval C.Y.Chang	Supervisor C.K.Chang	Designer C.H.Yeh	Aperture size 5R3S(3.8*3.7)(3.79) 5HW024RB3
-----------------------	-------------------------	---------------------	---

TEMWELL CORPORATION

# Performance-K3RCT3-1230M-20M

## 200907089CD



**CH1 MARKER LIST**

1:	1.230	000GHz	-28.886	dB
2:	1.245	500GHz	-7.500	dB
3:	1.215	666GHz	-8.135	dB
4:	1.180	000GHz	-0.645	dB
5:	1.280	000GHz	-0.555	dB

**CH2 MARKER LIST**

1:	1.230	000GHz	-3.990	dB
2:	1.245	500GHz	-6.930	dB
3:	1.215	666GHz	-6.994	dB
4:	1.180	000GHz	-33.753	dB
5:	1.280	000GHz	-29.040	dB