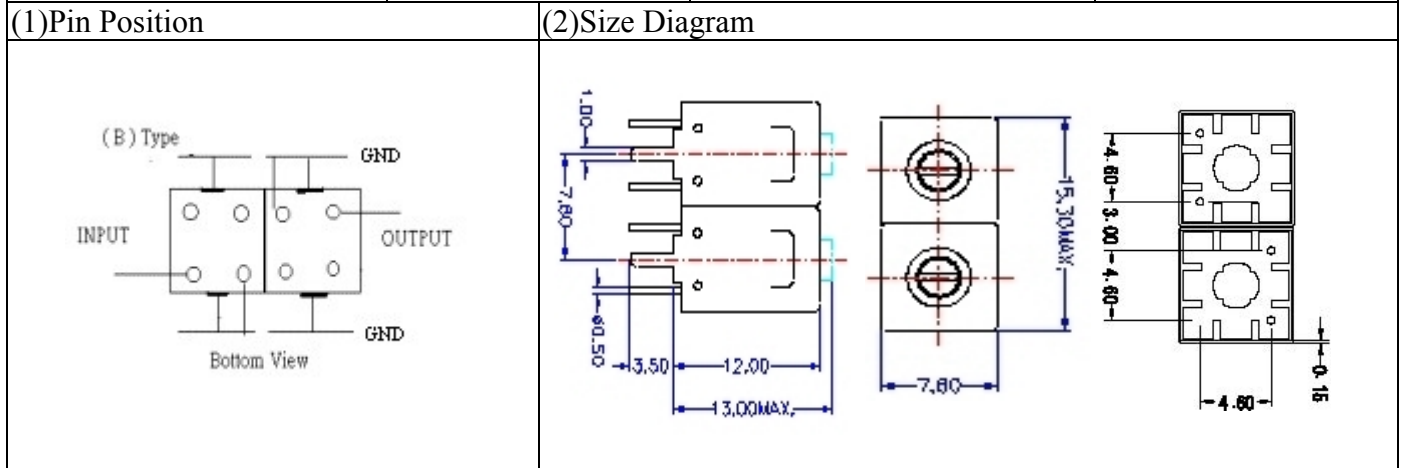


VHF UHF Helical Filter Specification Sheet

Customer Name		Temwell's Part No.	K2B-319.5M-11M
Approval No. /dated		Temwell's Part name	K2B 319.5M
Work Instruction No.	201311054CD	Date	Dec.05.2013



(3) Electric Characteristic			
Item		Specify	Performance
Center Freq.(Fo) +/- 0.5 %		319.5 MHz	319.5 MHz
Insertion Loss		Typ. 4.5 dB	2.06 dB
-3 dB Bandwidth		Typ. 11 MHz	12.0 MHz
Sensitivity (Attenuation)	Fo - 40 MHz	Typ. 30 dB	32 dB
	Fo + 40 MHz	Typ. 30 dB	33 dB
	Fo - ()MHz	Typ. dB	dB
	Fo +()MHz	Typ. dB	dB
Return Loss		Min. 12 dB	22.7 dB
Ripple		< 1 dB	dB
Impedance		In / Out : 50 Ω	In / Out : 50 Ω

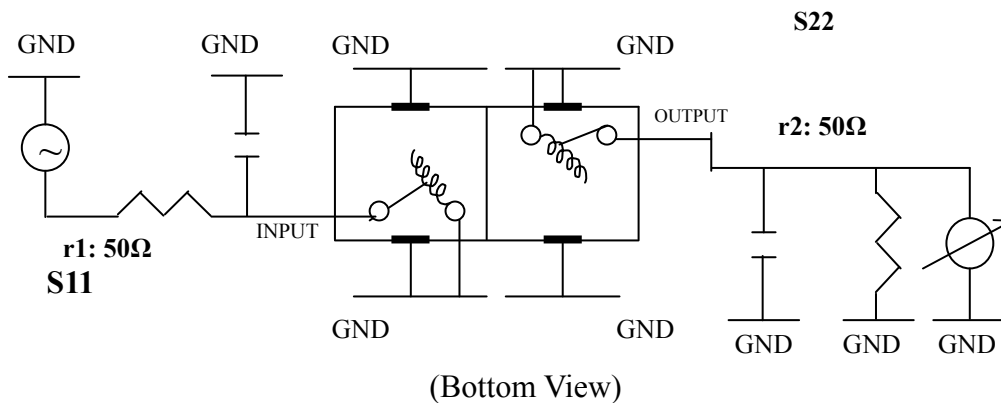
(4) Torque for Tuning Screw > 60gf · cm

(5) Temperature Condition:

Operating Temperature	0°C ~ +60°C
Storage Temperature	-20°C ~ +70°C

(6) Input Power > 1Watt

(7) Measuring Circuit: ※Easy to match Impedance S11/S22 50Ω by parallel with about (--)



Approval C.Y.Chang	Supervisor C.K.Chang	Designer P.H.Chiang	Aperture size 7H2S(4*6.5)(6.57) 7H046LB4.3 聚 3 (J1)
-----------------------	-------------------------	------------------------	---

TEMWELL CORPORATION

Performance-K2B-319.5M-11M

201311054CD

