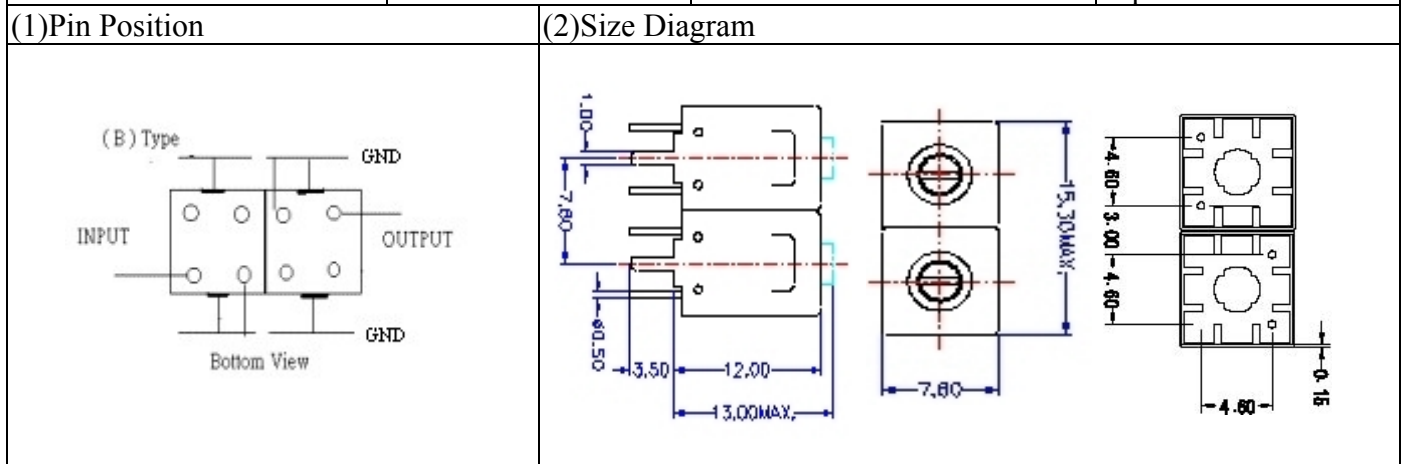


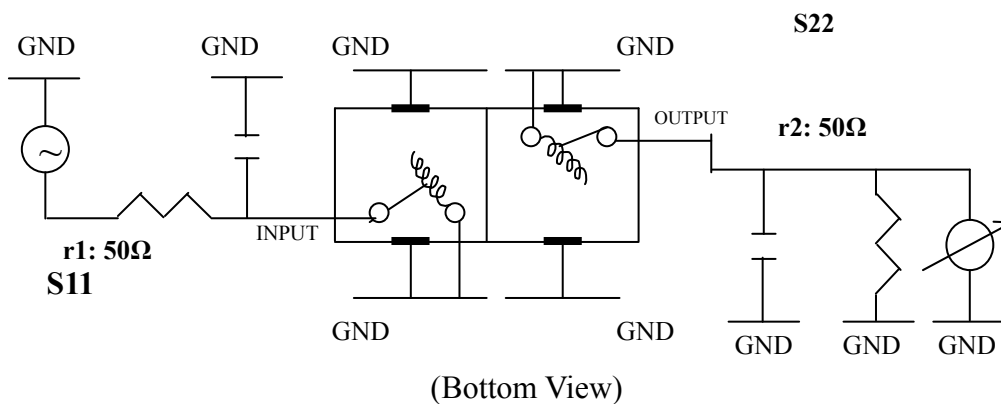
VHF UHF Helical Filter Specification Sheet

Customer Name		Temwell's Part No.	K2B-405M-20M
Approval No. /dated	201007148CD	Temwell's print Name.	K2B 405M
Work Instruction No.	201007148CD	Date	Sep.15.2010



(3) Electric Characteristic		Specify	Performance
Item			
Center Freq.(Fo) +/- 0.75 %		405 MHz	405 MHz
Insertion Loss		Typ. 2.0 dB	0.99 dB
-3 dB Bandwidth		Typ. 20 MHz	24.1 MHz
Sensitivity (Attenuation)	Fo - 50 MHz	Typ. 22 dBc	29 dBc
	Fo + 50 MHz	Typ. 16 dBc	19 dBc
	Fo - ()MHz	Typ. dBc	dBc
	Fo +()MHz	Typ. dBc	dBc
Return Loss		Min. 12 dB	29.5 dB
Ripple		< 1 dB	dB
Impedance		In / Out : 50 Ω	In / Out : 50 Ω
(4) Torque for Tuning Screw		> 100gf · cm	
(5) Temperature Condition:			
Operating Temperature		-30°C ~ +70°C	
Storage Temperature		-30°C ~ +80°C	
(6) Input Power		> 1Watt	

(7) Measuring Circuit: ※Easy to match Impedance S11/S22 50Ω by parallel with about (--) .



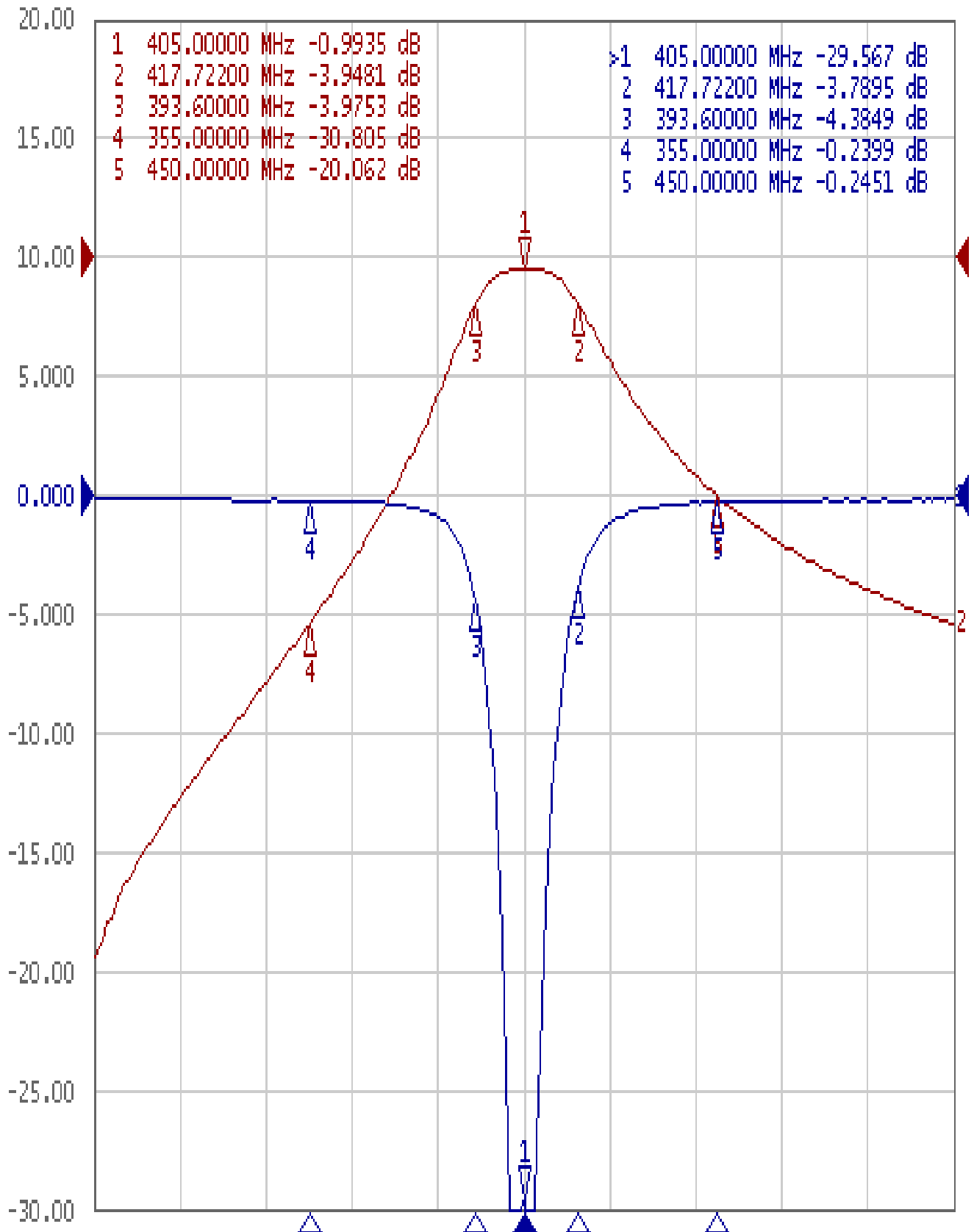
Approval	Supervisor	Designer	Aperture size
C.Y.Chang	C.K.Chang	P.H.Chiang	7H2S(4*7.5)(7.55) (7H046RB4)
TEMWELL CORPORATION			

Performance-K2B-405M-20M

201007148CD

Tr1 S11 Log Mag 5.000dB/ Ref 0.000dB [F2]

Tr2 S21 Log Mag 10.00dB/ Ref 0.000dB [F2]



1 Center 405 MHz

IFBW 70 kHz

Span 200 MHz Cor !