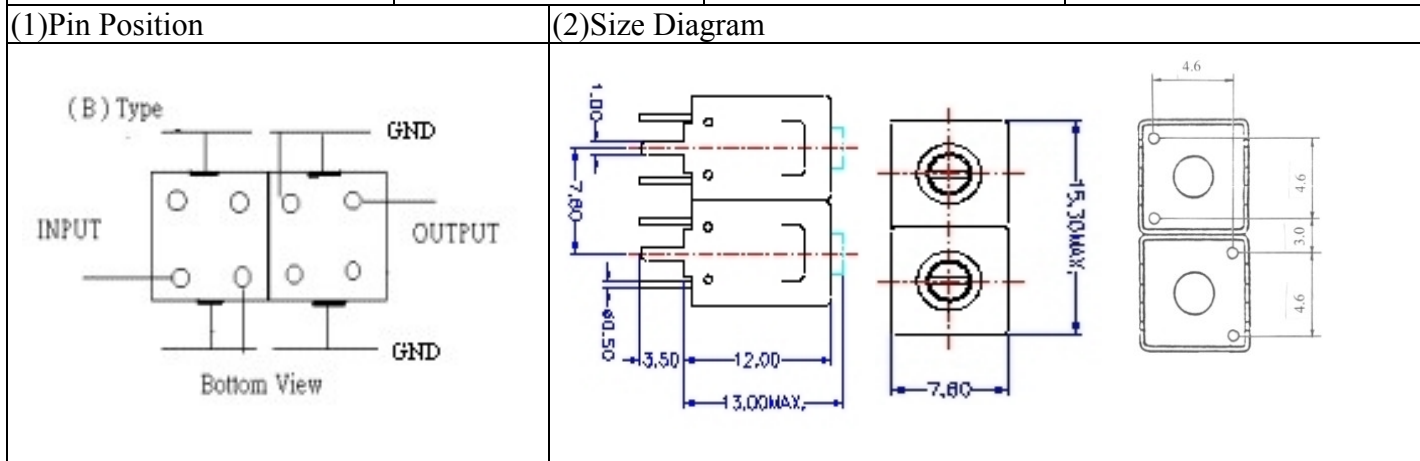


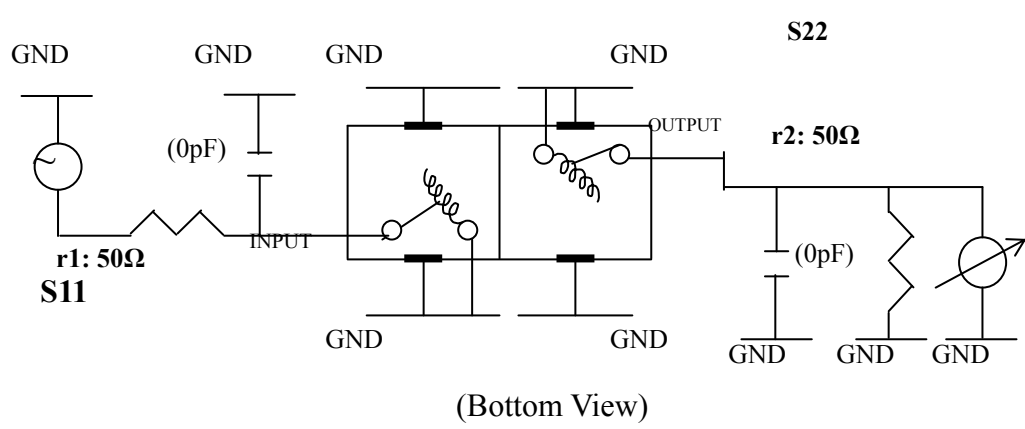
# VHF UHF Helical Filter Specification Sheet

Customer Name		Temwell's Part No.	K2B-420M-10M
Approval No. /dated	20401005DC	Temwell's Print Name	
Work Instruction No.	20401005DC	Date	Jan.09.2004



(3) Electric Character			
Item	Specify	Performance	
Center Freq.(Fo) +/- 0.5 %	420 MHz	420 MHz	
Tunable Range	420±5 MHz	420±5 MHz	
Insertion Loss	Typ. 2.0 dB	1.45 dB	
-3 dB Bandwidth	Typ. 10 MHz	21 MHz	
Sensitivity (Attenuation)	Fo - 50 MHz	Typ. 30 dBc	23 dBc
	Fo + 50 MHz	Typ. 20 dBc	23 dBc
	Fo - ( )MHz	Typ. dBc	dBc
	Fo +( )MHz	Typ. dBc	dBc
Return Loss	Min. 12 dB	25 dB	
Ripple	< 1 dB	dB	
Impedance	In / Out : 50 Ω	In / Out : 50 Ω	
(4) Torque for Tuning Screw	> 100gf · cm		
(5) Temperature Condition:			
Operating Temperature	-0°C ~ +60°C		
Storage Temperature	-20°C ~ +70°C		
(6) Input Power	> 1Watt		

(7) Measuring Circuit: ※Easy to match Impedance 50Ω by parallel with about ( 0 ) pF.

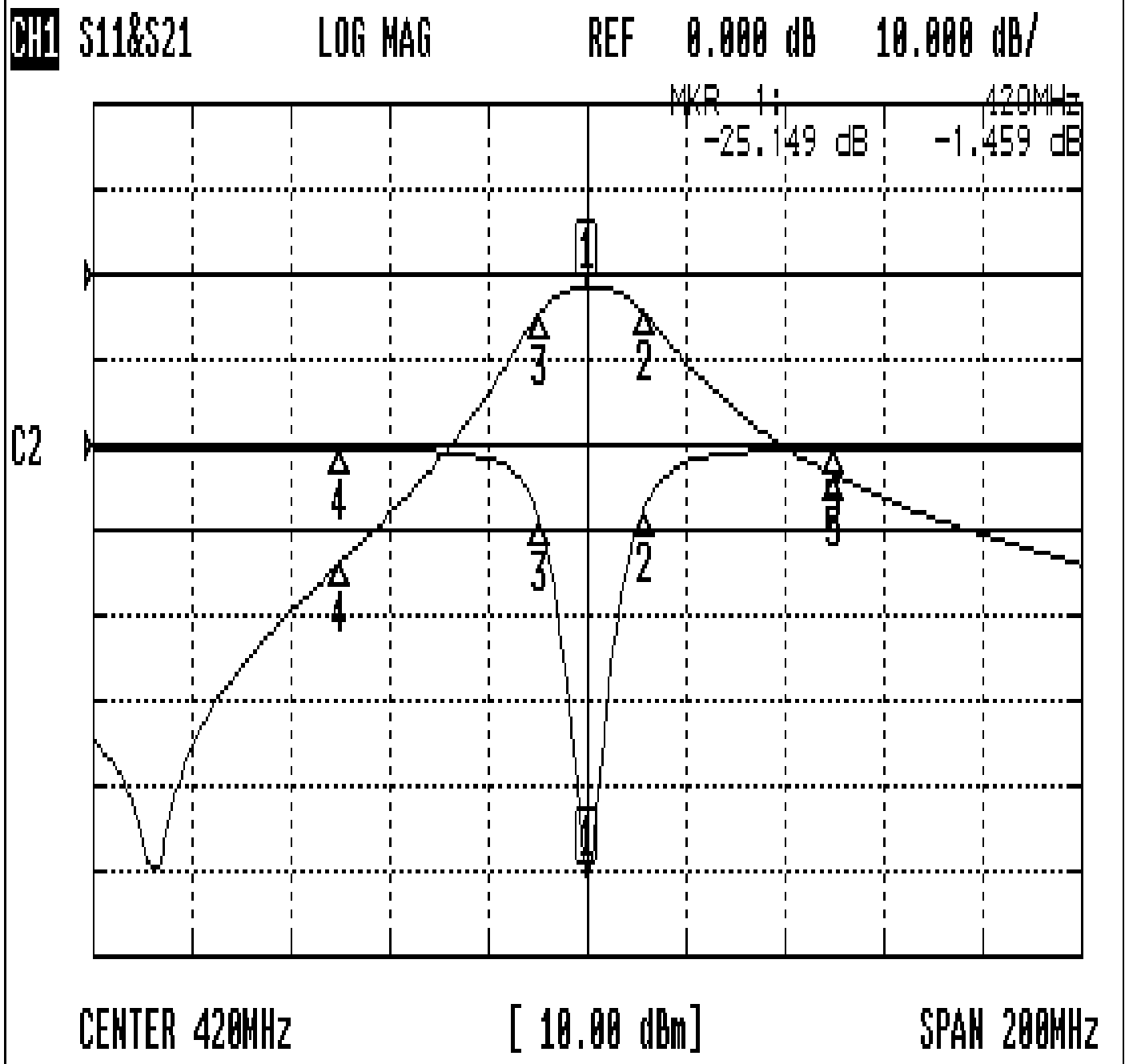


Approval	Supervisor	Designer	Aperture size
C.Y.Chang	C.S.Chang	P.H.Ching	7H2(4*6.5)(6.51) 7H046RB4

TEMWELL CORPORATION

# Performance-K2B-420M-10M

## 20401005DC



### CH1 MARKER LIST

1:	420.000MHz	-25.149 dB	-1.459 dB
2:	431.500MHz	-3.815 dB	-4.458 dB
3:	410.500MHz	-4.515 dB	-4.473 dB
4:	370.000MHz	-0.220 dB	-33.807 dB
5:	470.000MHz	-0.232 dB	-23.567 dB