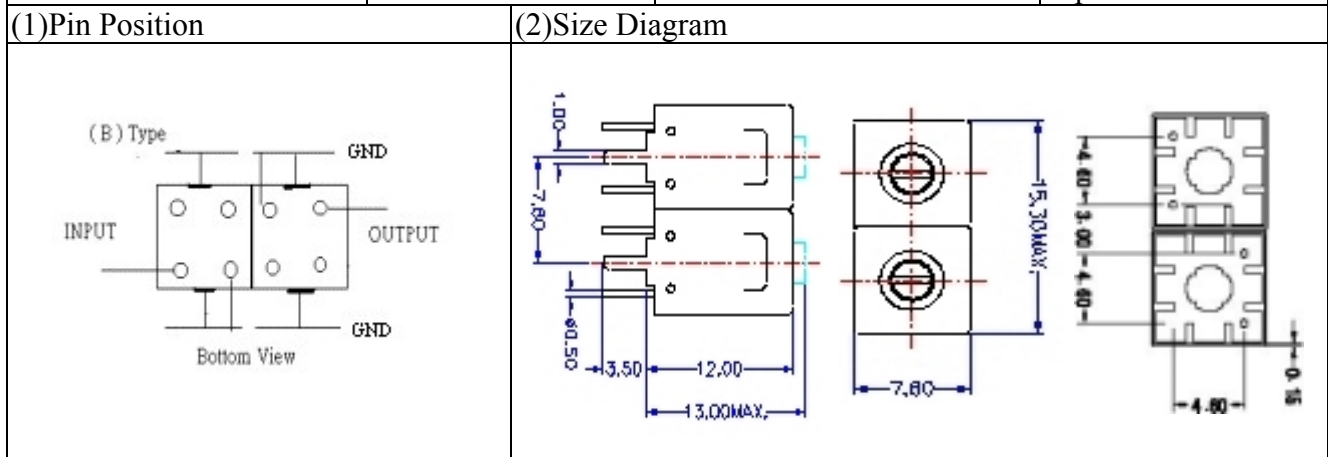
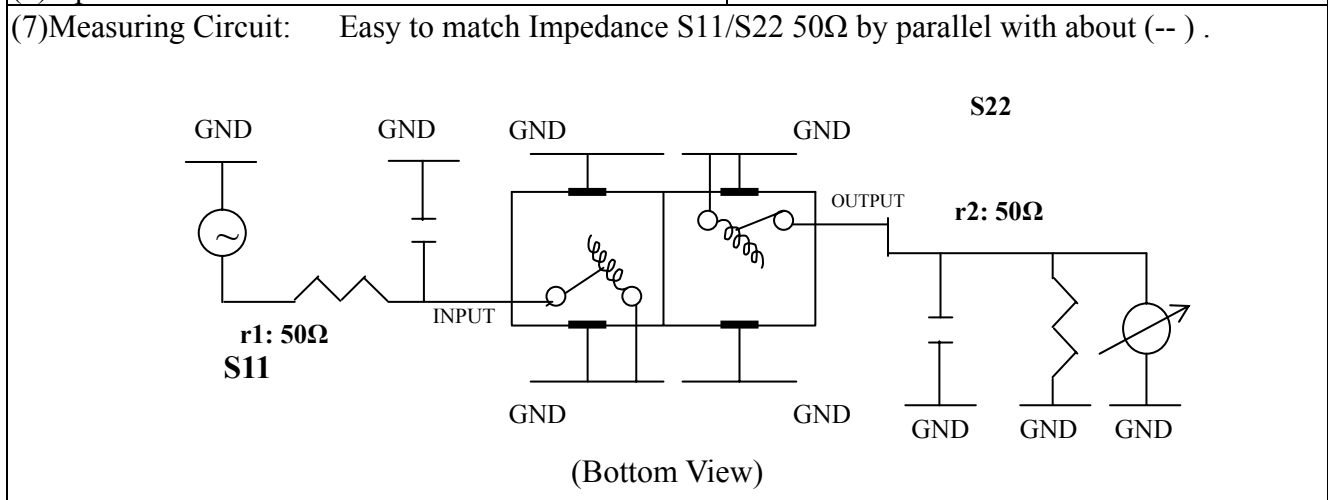


VHF UHF Helical Filter Specification Sheet

Customer Name		Temwell's Part No.	K2B-435M-20M
Approval No. /dated	201007149CD	Temwell's print Name.	K2B 435M
Work Instruction No.	201007149CD	Date	Sep.15.2010



(3)Electric Charasteric			
Item		Specify	Performance
Center Freq.(Fo) +/- 0.75 %		435 MHz	435 MHz
Insertion Loss		Typ. 2.0 dB	1.11 dB
-3 dB Bandwidth		Typ. 20 MHz	24.7 MHz
Sensitivity (Attenuation)	Fo - 50 MHz	Typ. 22 dBc	28 dBc
	Fo + 50 MHz	Typ. 16 dBc	19 dBc
	Fo - ()MHz	Typ. dBc	dBc
	Fo +()MHz	Typ. dBc	dBc
Return Loss		Min. 12 dB	25.2 dB
Ripple		< 1 dB	dB
Impedance		In / Out : 50 Ω	In / Out : 50 Ω
(4)Torque for Tuning Screw		> 100gf cm	
(5)Temperature Condition:			
Operating Temperature		-30 ~ +70	
Storage Temperature		-30 ~ +80	
(6)Input Power		> 1Watt	



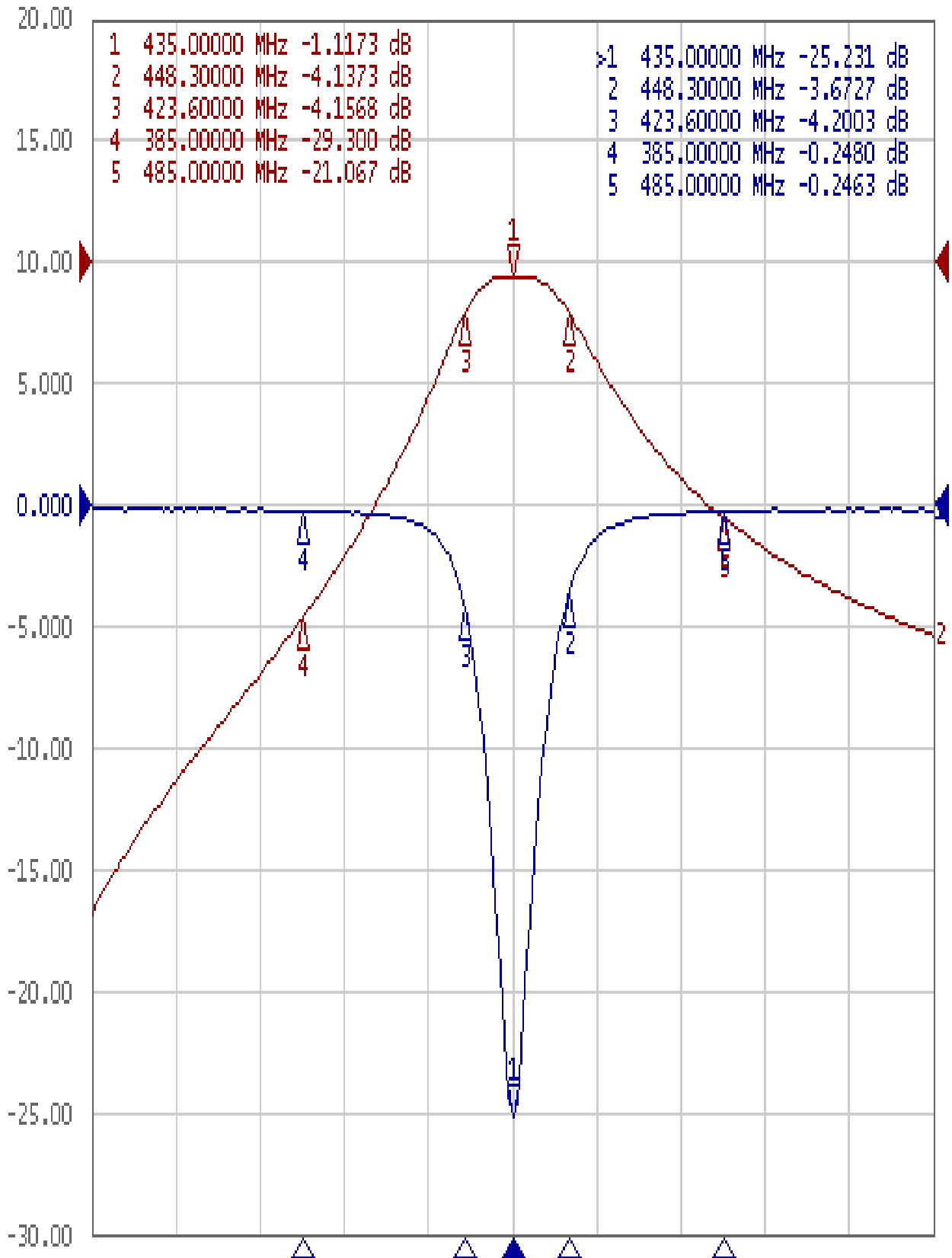
Approval C.Y.Chang	Supervisor C.K.Chang	Designer P.H.Chiang	Aperture size 7H2S(4*6.5)(6.55) (7H046RB4)
TEMWELL CORPORATION			

Performance-K2B-435M-20M

201007149CD

Tr1 S11 Log Mag 5.000dB/ Ref 0.000dB [F2]

Tr2 S21 Log Mag 10.00dB/ Ref 0.000dB [F2]



1 Center 435 MHz

IFBW 70 kHz

Span 200 MHz

Cor !