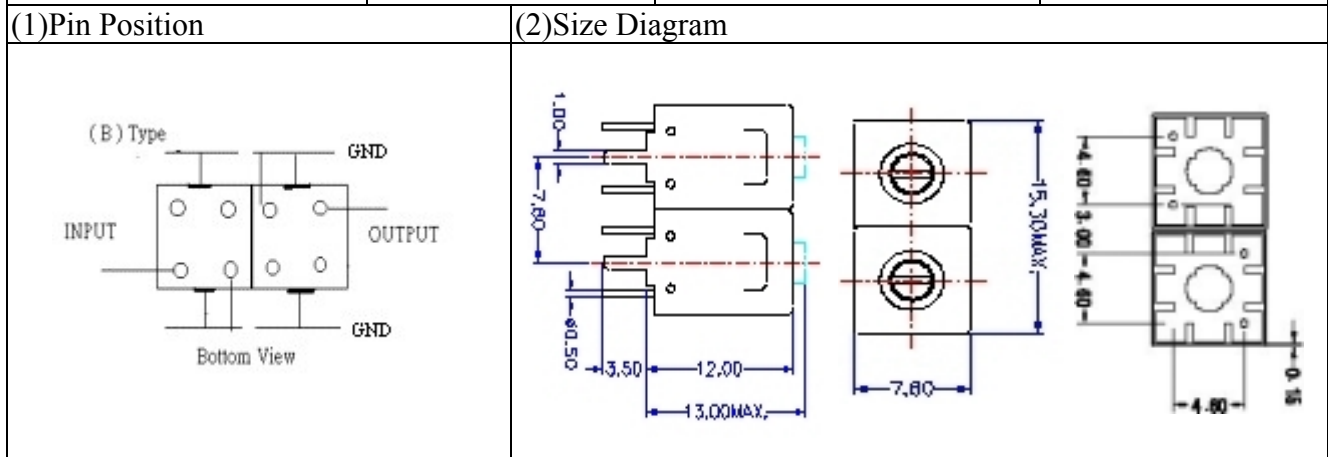


VHF UHF Helical Filter Specification Sheet

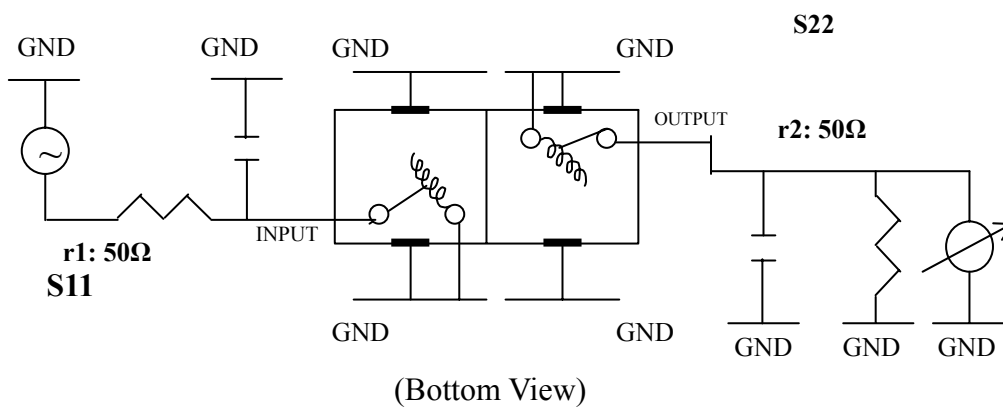
Customer Name		Temwell's Part No.	K2B-453M-20M
Approval No. /dated	201007111CD	Temwell's print Name.	K2B 453M
Work Instruction No.	201007111CD	Date	Jul.14.2010



(3)Electric Charasteric

Item	Specify	Performance	
Center Freq.(Fo) +/- 0.75 %	453 MHz	453 MHz	
Insertion Loss	Typ. 2.0 dB	1.26 dB	
-3 dB Bandwidth	Typ. 20 MHz	25.2 MHz	
Sensitivity (Attenuation)	Fo - 50 MHz	Typ. 25 dBc	27 dBc
	Fo + 50 MHz	Typ. 17 dBc	21 dBc
	Fo - ()MHz	Typ. dBc	dBc
	Fo +()MHz	Typ. dBc	dBc
Return Loss	Min. 12 dB	22.9 dB	
Ripple	< 1 dB	dB	
Impedance	In / Out : 50 Ω	In / Out : 50 Ω	
(4)Torque for Tuning Screw	> 100gf cm		
(5)Temperature Condition:			
Operating Temperature	-30 ~ +70		
Storage Temperature	-30 ~ +80		
(6)Input Power	> 1Watt		

(7)Measuring Circuit: Easy to match Impedance S11/S22 50Ω by parallel with about (--) .



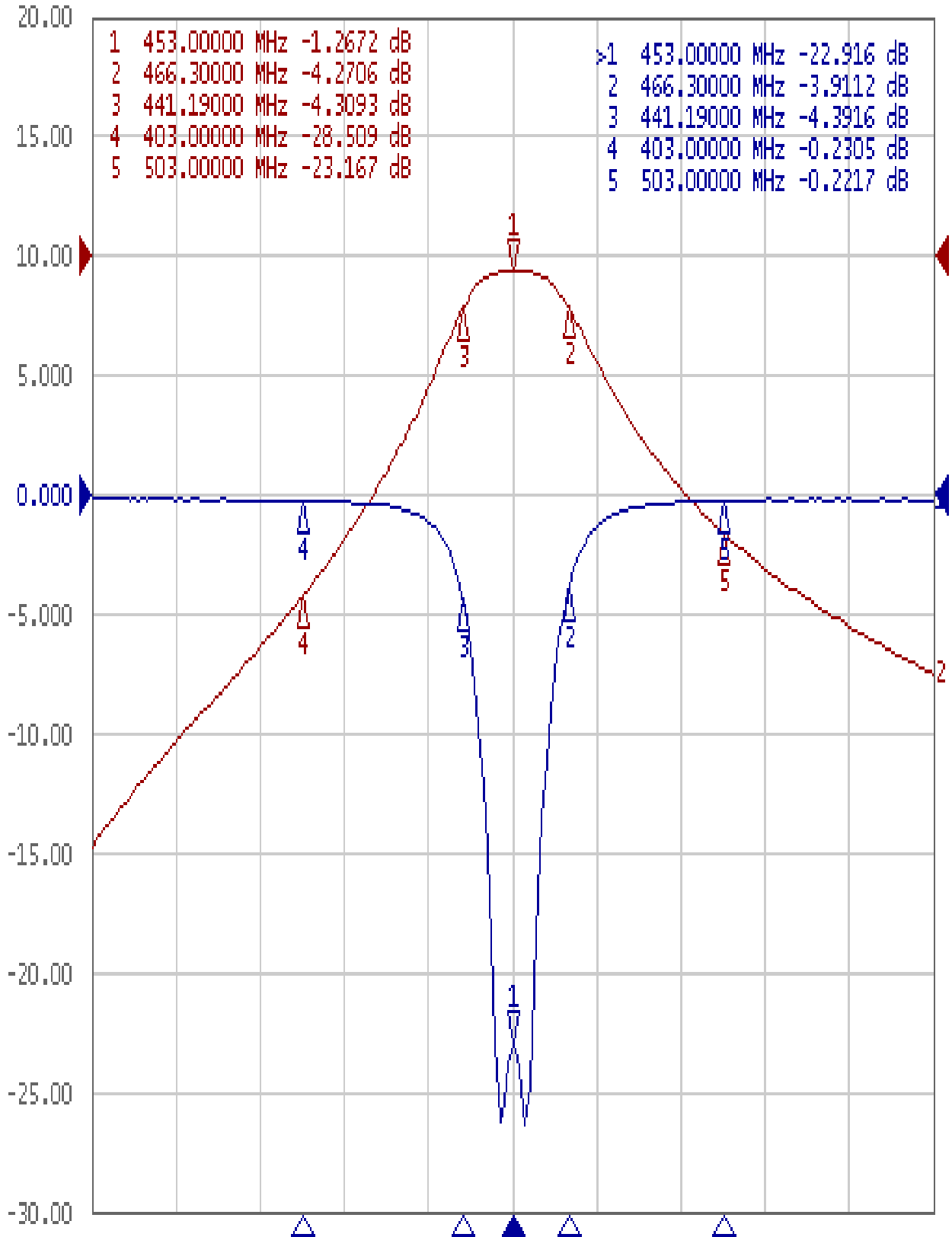
Approval C.Y.Chang	Supervisor C.K.Chang	Designer P.H.Chiang	Aperture size 7H2S(4*4.65)(4.67) (7H046RB5.5)
TEMWELL CORPORATION			

Performance-K2B-453M-20M

201007111CD

Tr1 S11 Log Mag 5.000dB/ Ref 0.000dB [F2]

Tr2 S21 Log Mag 10.00dB/ Ref 0.000dB [F2]



1 Center 453 MHz

IFBW 70 kHz

Span 200 MHz Cor !