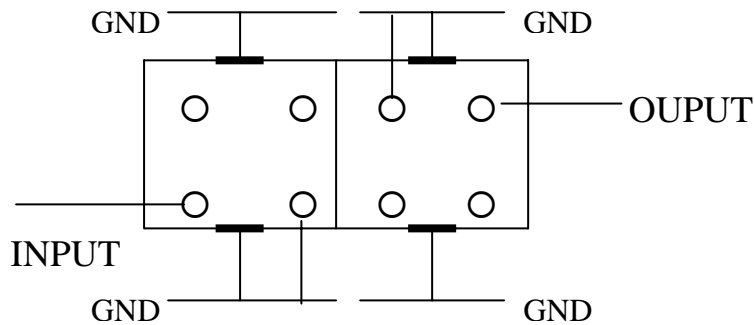


VHF UHF Helical Filter Specification Sheet

Customer Name		Temwell's Part No.	K2B-460M-10M
Approval No. /dated	20401007DC	Customer's Part No.	
Work Instruction No.	20401007DC	Date	Jan.09.2004
<input type="checkbox"/> Buyer Print name		<input type="checkbox"/> Temwell,s print name	
Case Name	7H2	Case size :	
Terminator Type	B		

* Pin Position (Pin Connection) diagram as following

(B) Type



(Bottom View)

(3) Electric Charasteric

Item	Specify	Performance
Center Freq.(Fo) +/- 0.5 %	460 MHz	460 MHz
Insertion Loss	2.0 dB	1.35 dB
-3 dB Bandwidth	10 MHz	21 MHz
Sensentivity (Attenuation)	Fo - 50 MHz	Typ. 30 dB
	Fo + 50 MHz	Typ. 20 dB
	Fo - () MHz	Typ. dB
	Fo +() MHz	Typ. dB
Return Loss	Min. 12 dB	30 dB
Ripple	< 1 dB	dB
Group Delay	ns	ns
Impedance	In / Out : 50 Ω	In / Out : 50 Ω

4. Temperature Condition:

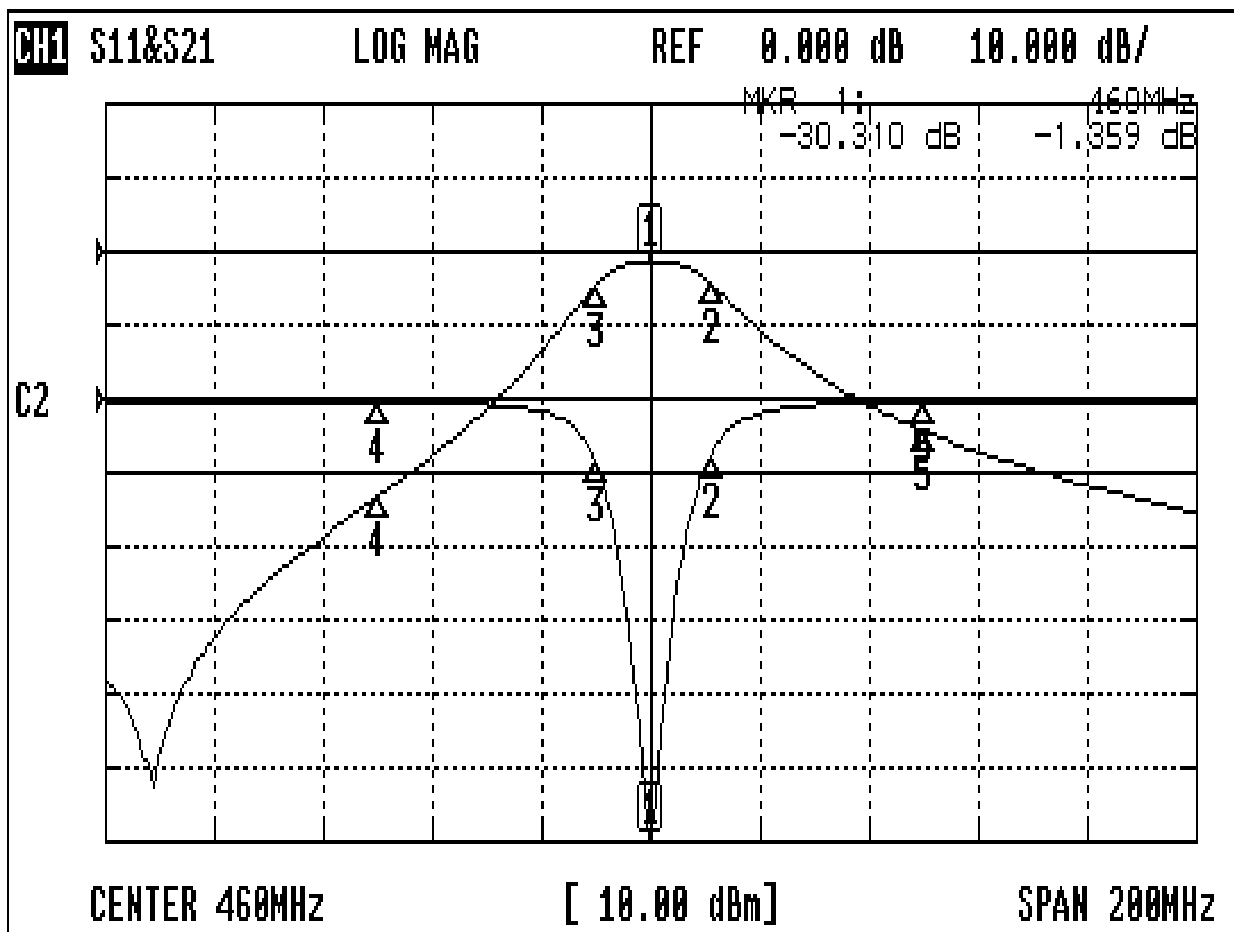
Operating Temperature	0 ~ +60
Storage Temperature	-20 ~ +70

Approval	Supervisor	Designer	Aperture size
	C.S.Chang	P.H.Ching	7H2(4*6.5)(6.59) 7H046RB4

TEMWELL CORPORATION

Performance-K2B-460M-10M

20401007DC



CH1 MARKER LIST

1:	460.000MHz	-30.310 dB	-1.359 dB
2:	471.000MHz	-3.840 dB	-4.338 dB
3:	450.166MHz	-4.488 dB	-4.385 dB
4:	410.000MHz	-0.236 dB	-33.249 dB
5:	510.000MHz	-0.241 dB	-24.321 dB
6:			
7:			
8:			
9:			
10:			