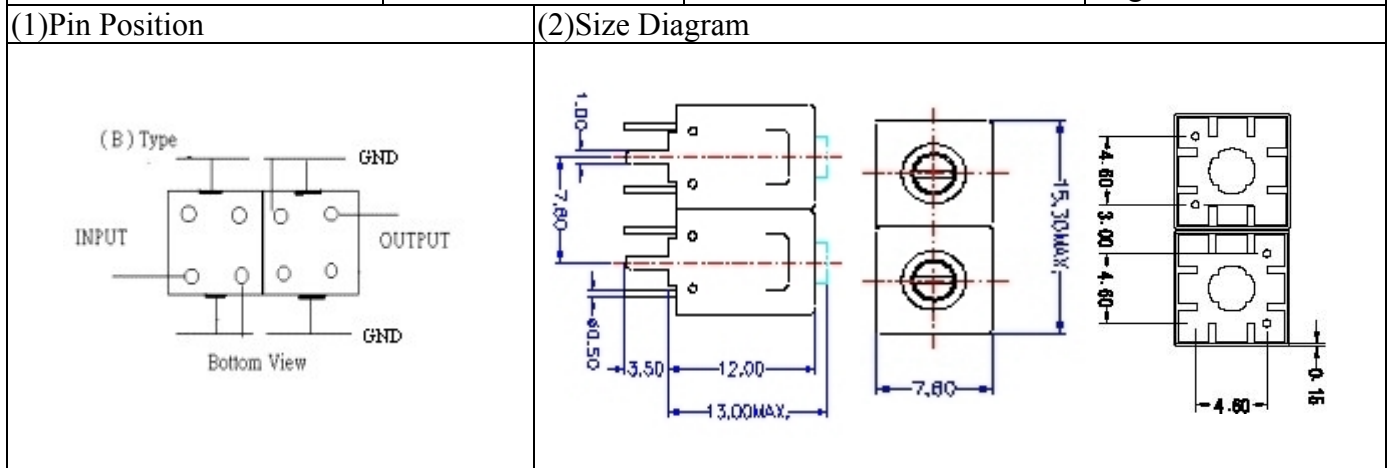


VHF UHF Helical Filter Specification Sheet

Customer Name		Temwell's Part No.	K2B-480M-10M
Approval No. /dated	201007079CD	Temwell's print Name.	K2B 480M
Work Instruction No.	201007079CD	Date	Aug.11.2010



(3) Electric Characteristic

Item	Specify	Performance	
Center Freq.(Fo) +/- 0.5 %	480 MHz	480 MHz	
Insertion Loss	Typ. 2.5 dB	1.79 dB	
-3 dB Bandwidth	Typ. 10 MHz	17.0 MHz	
Sensitivity (Attenuation)	Fo - 50 MHz	Typ. 30 dBc	37 dBc
	Fo + 50 MHz	Typ. 20 dBc	26 dBc
	Fo - ()MHz	Typ. dBc	dBc
	Fo +()MHz	Typ. dBc	dBc
Return Loss	Min. 12 dB	43.6 dB	
Ripple	< 1 dB	dB	
Impedance	In / Out : 50 Ω	In / Out : 50 Ω	
(4) Torque for Tuning Screw	> 60gf · cm		

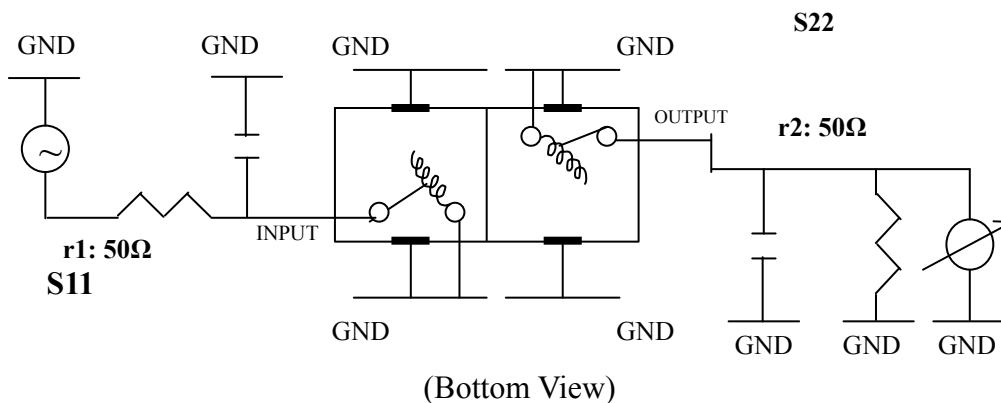
(5) Temperature Condition:

Operating Temperature	0°C ~ +60°C
Storage Temperature	-20°C ~ +70°C

(6) Input Power

	> 1Watt
--	---------

(7) Measuring Circuit: ※Easy to match Impedance S11/S22 50Ω by parallel with about (--) .

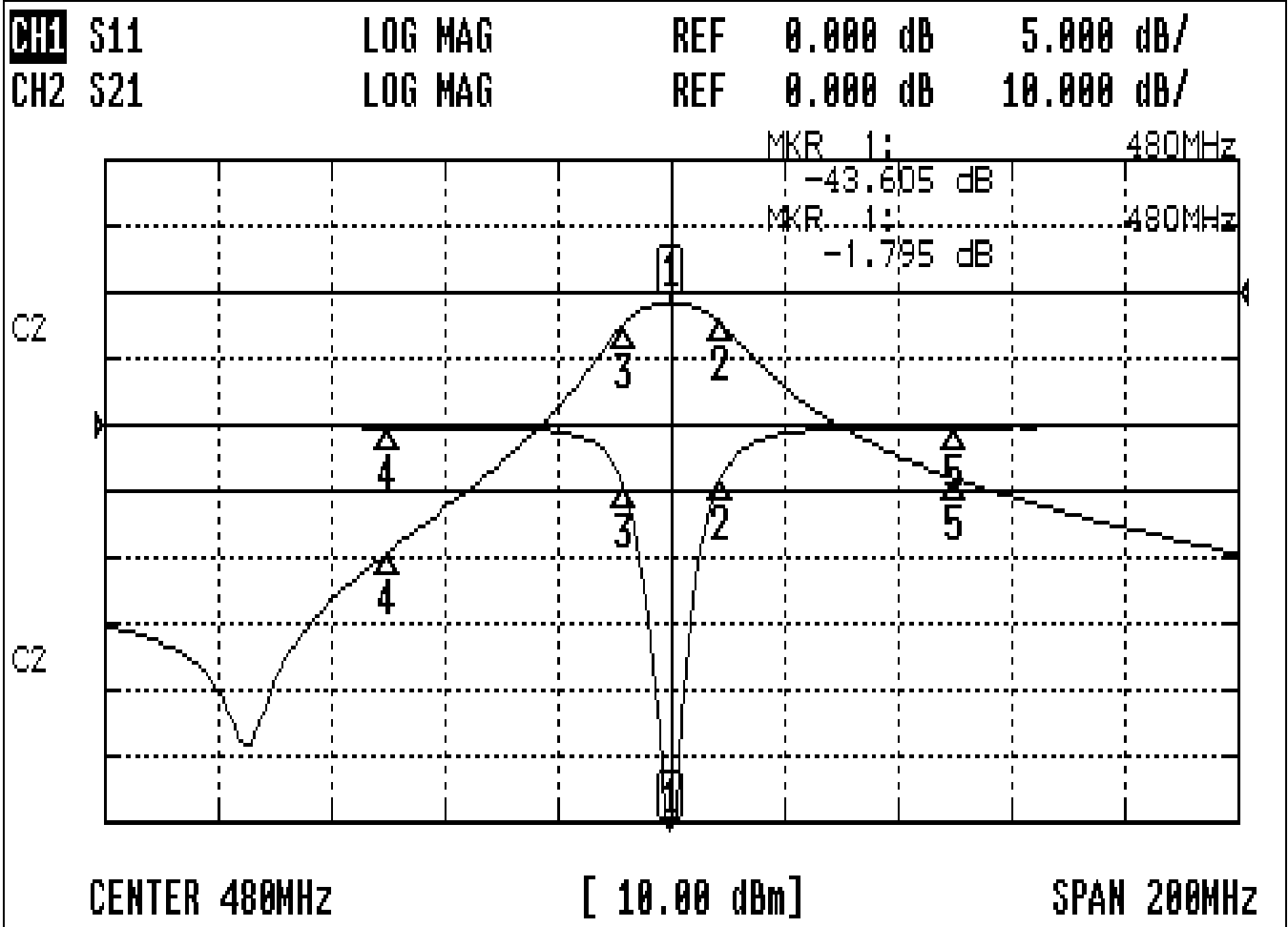


Approval	Supervisor	Designer	Aperture size
C.Y.Chang	C.K.Chang	M.Y.Kang	7H2S(4*5.5)(5.65) 7H046RB4

TEMWELL CORPORATION

Performance-K2B-480M-10M

201007079CD



CH1 MARKER LIST

1	480.000MHz	-43.605	dB
2	488.033MHz	-4.096	dB
3	471.033MHz	-4.919	dB
4	430.000MHz	-0.158	dB
5	530.000MHz	-0.170	dB

CH2 MARKER LIST

1	480.000MHz	-1.792	dB
2	488.033MHz	-4.815	dB
3	471.033MHz	-4.768	dB
4	430.000MHz	-39.195	dB
5	530.000MHz	-28.059	dB