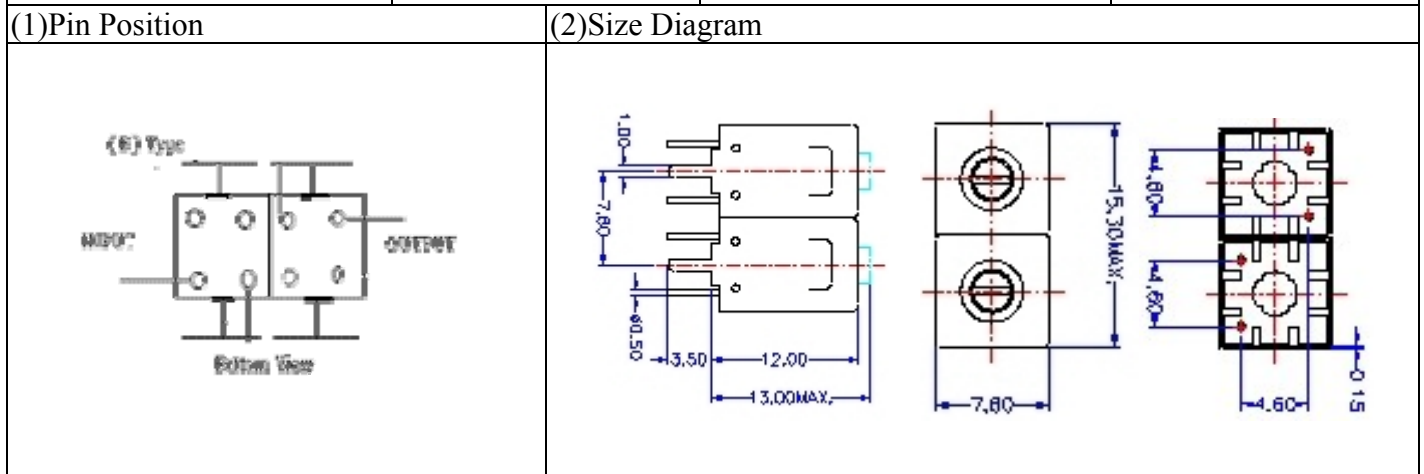


VHF UHF Helical Filter Specification Sheet

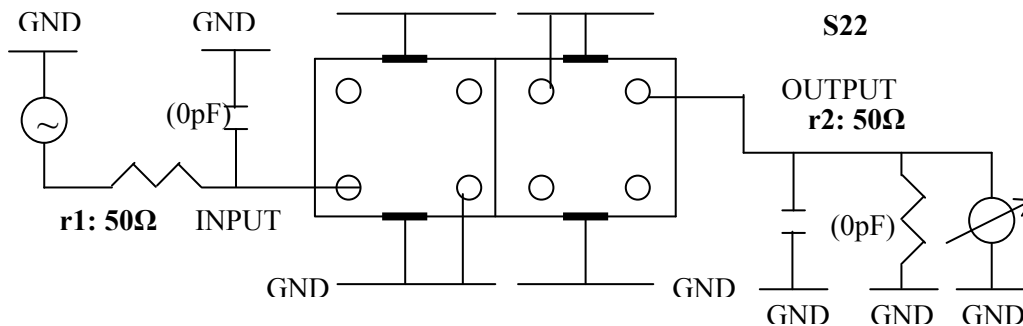
Customer Name		Temwell's Part No.	K2B1-390M-10M
Approval No. /dated	20402055DC	Customer's Part No.	
Work Instruction No.	20402055DC	Date	Feb.12.2004



(3) Electric Characteristic			
Item		Specify	Performance
Center Freq.(Fo) +/- 0.5 %		390 MHz	390 MHz
Tunable Range: <input type="checkbox"/> Fo±5MHz <input type="checkbox"/> Fo±10MHz <input type="checkbox"/> Fo±15MHz		390±4 MHz	390±4 MHz
Insertion Loss		Max. 2.5 dB	1.9 dB
-3 dB Bandwidth		Typ. 10 MHz	14 MHz
Sensitivity (Attenuation)	Fo - 50 MHz	Typ. 35 dBc	43 dBc
	Fo + 50 MHz	Typ. 25 dBc	29 dBc
	Fo - ()MHz	Typ. dBc	dBc
	Fo + ()MHz	Typ. dBc	dBc
Return Loss		Min. 12 dB	35 dB
Ripple		< 1 dB	dB
Impedance		In / Out : 50 Ω	In / Out : 50 Ω

(4) Torque for Tuning Screw		> 60gf • cm
(5) Temperature Condition:		
Operating Temperature	0°C ~ +60°C	
Storage Temperature	20°C ~ +70°C	
(6) Input Power	> 1 Watt	

(7) Measuring Circuit: ※Easy to match Impedance 50Ω by parallel with about (0) pF.



(Bottom View)

Approval	Supervisor	Designer	Aperture size
C.Y.Chang	C.S.Chang	Enlan	7H2(4*6.5)(4*6.58)F 7H046RB4

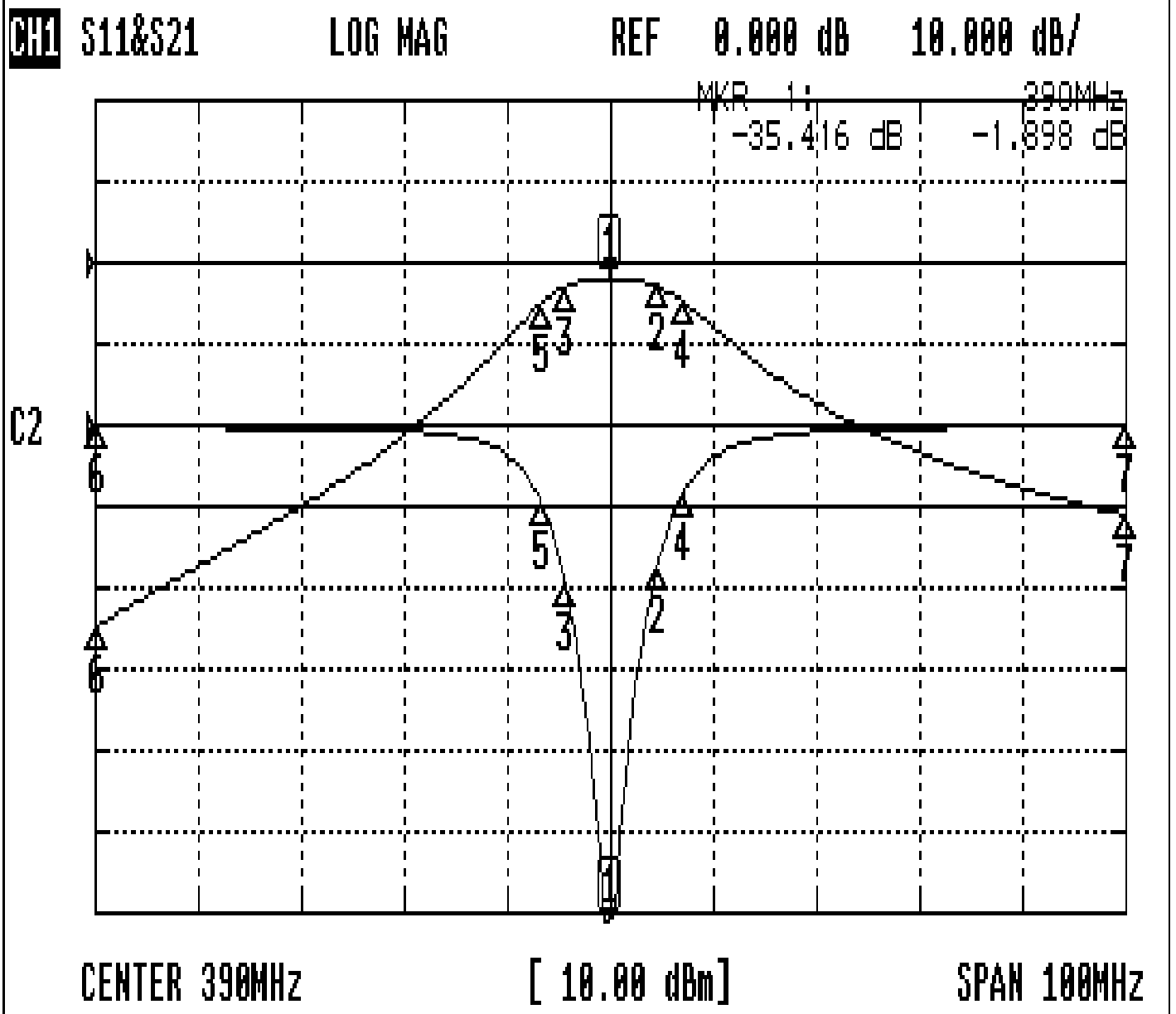
TEMWELL CORPORATION

TEMWELL

Form10-7H2B Vision D

Performance-K2B1-390M-10M

20402055DC



CH1 MARKER LIST

1:	390.000MHz	-35.549 dB	-1.900 dB
2:	394.666MHz	-8.655 dB	-2.955 dB
3:	385.666MHz	-9.668 dB	-2.964 dB
4:	397.166MHz	-4.193 dB	-4.933 dB
5:	383.333MHz	-4.651 dB	-4.995 dB
6:	340.000MHz	-0.092 dB	-44.839 dB
7:	440.000MHz	-0.075 dB	-31.051 dB