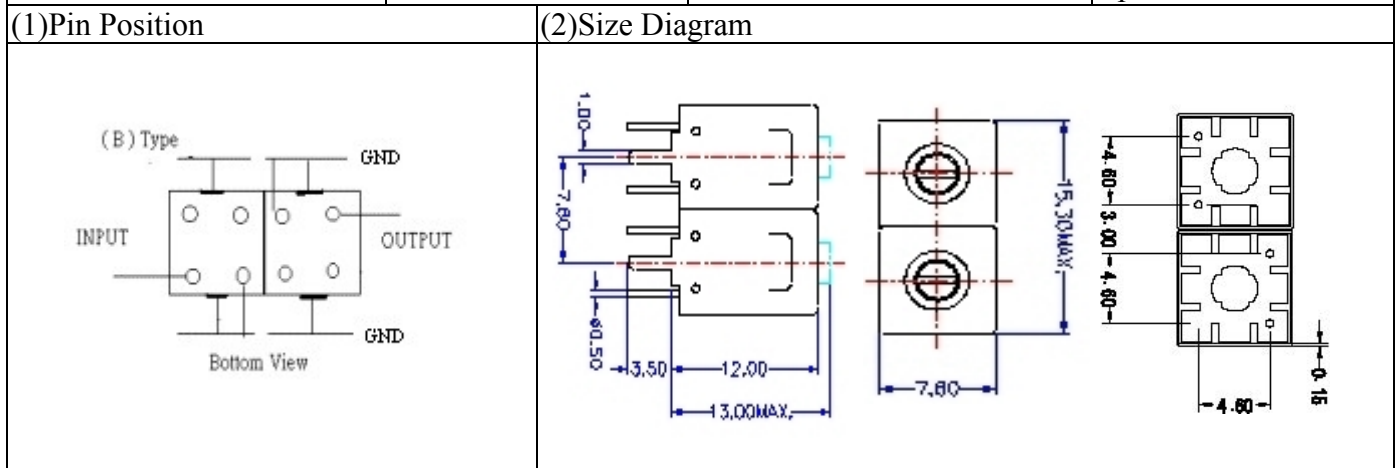


VHF UHF Helical Filter Specification Sheet

Customer Name		Temwell's Part No.	K2B1-435-11M
Approval No. /dated	0904106CD	Customer's Part No.	K2B1 435M
Work Instruction No.	200904106CD	Date	Apr.20.2009



(3) Electric Characteristic

Item	Specify	Performance
Center Freq.(Fo) +/- 0.5 %	435 MHz	435 MHz
Insertion Loss	Typ. 2.5 dB	2.07 dB
-3 dB Bandwidth	Typ. 11 MHz	15.8 MHz
Sensitivity (Attenuation)	Fo - 50 MHz	Typ. 30 dBc
	Fo + 50 MHz	Typ. 20 dBc
	Fo - 30 MHz	Typ. 15 dBc
	Fo + 30 MHz	Typ. 13 dBc
Return Loss	Min. 12 dB	20.5 dB
Ripple	< 1 dB	
Impedance	In / Out : 50 Ω	In / Out : 50 Ω
(4) Torque for Tuning Screw	> 60gf • cm	

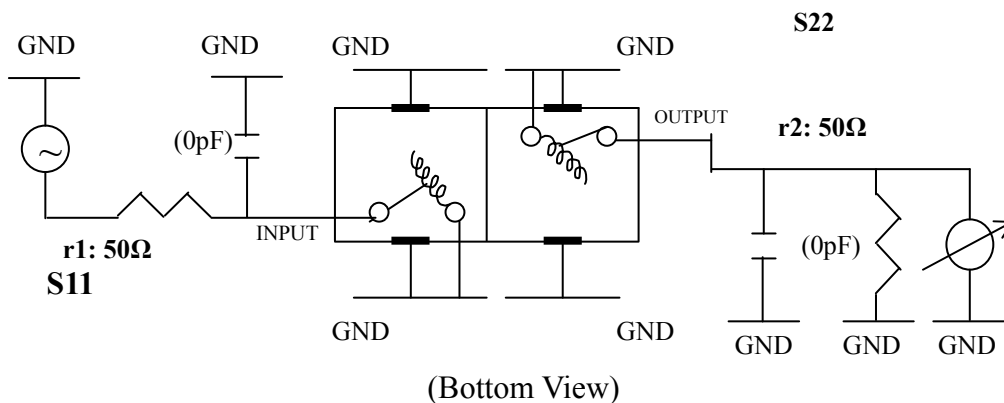
(5) Temperature Condition:

Operating Temperature	0°C ~ +60°C
Storage Temperature	-20°C ~ +70°C

(6) Input Power

	> 1Watt
--	---------

(7) Measuring Circuit: ※Easy to match Impedance S11/S22 50Ω by parallel with about (0) pF.

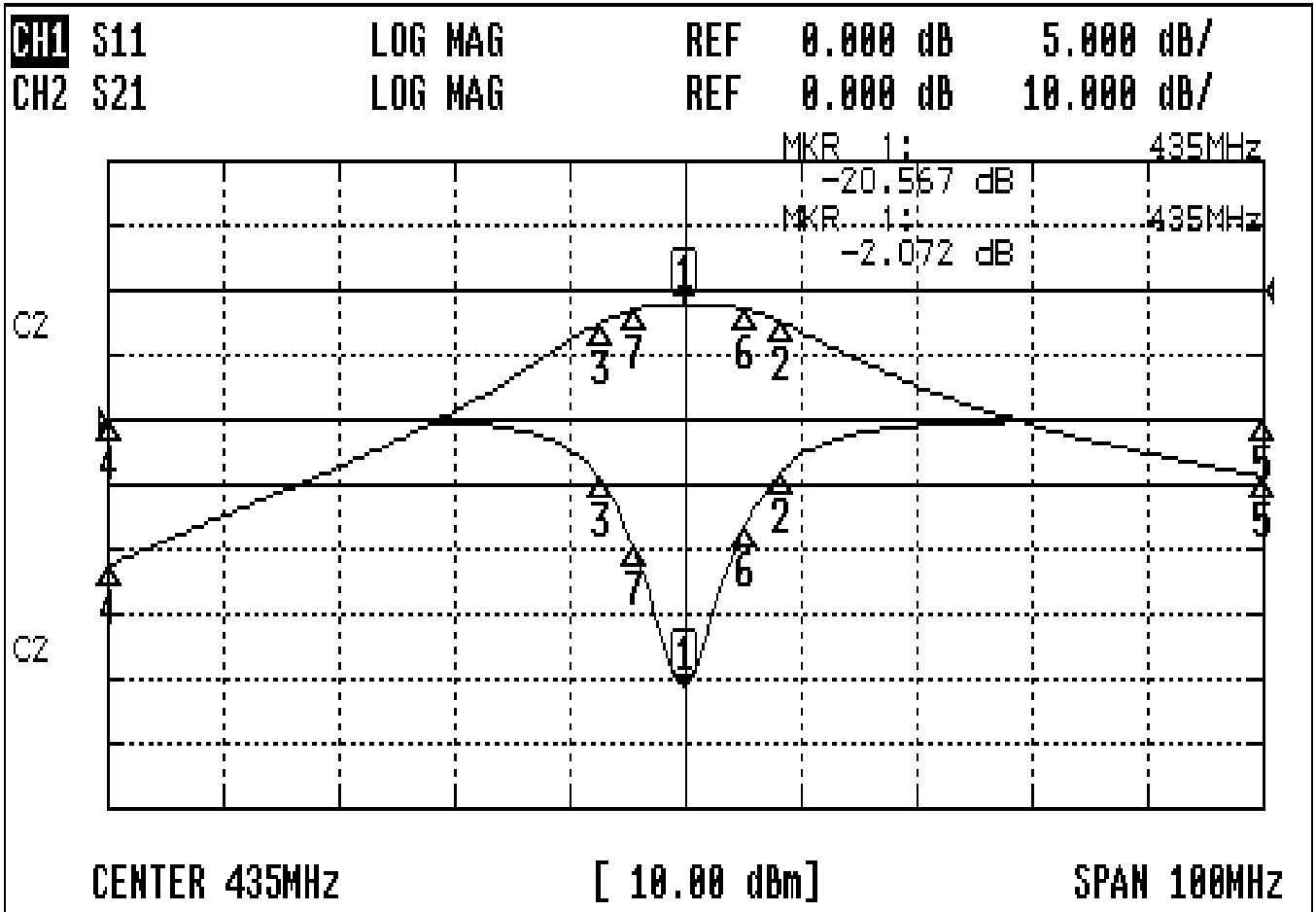


Approval C.Y.Chang	Supervisor C.K.Chang	Designer W.W.Wang	Aperture size 7H2S(4*6.5)(6.58) (7H046RB4)
-----------------------	-------------------------	----------------------	--

TEMWELL CORPORATION

Performance-K2B1-435M-11M

200904106CD



CH1 MARKER LIST

1	435.000MHz	-20.567	0.000
2	443.416MHz	-13.915	0.000
3	427.666MHz	-14.015	0.000
4	385.000MHz	0.000	0.000
5	485.000MHz	0.000	0.000
6	440.250MHz	-20.567	0.000
7	430.500MHz	-9.591	0.000

CH2 MARKER LIST

1	435.000MHz	-2.072	0.000
2	443.416MHz	-11.511	0.000
3	427.666MHz	-11.611	0.000
4	385.000MHz	-4.000	0.000
5	485.000MHz	-4.000	0.000
6	440.250MHz	-2.072	0.000
7	430.500MHz	6.440	0.000