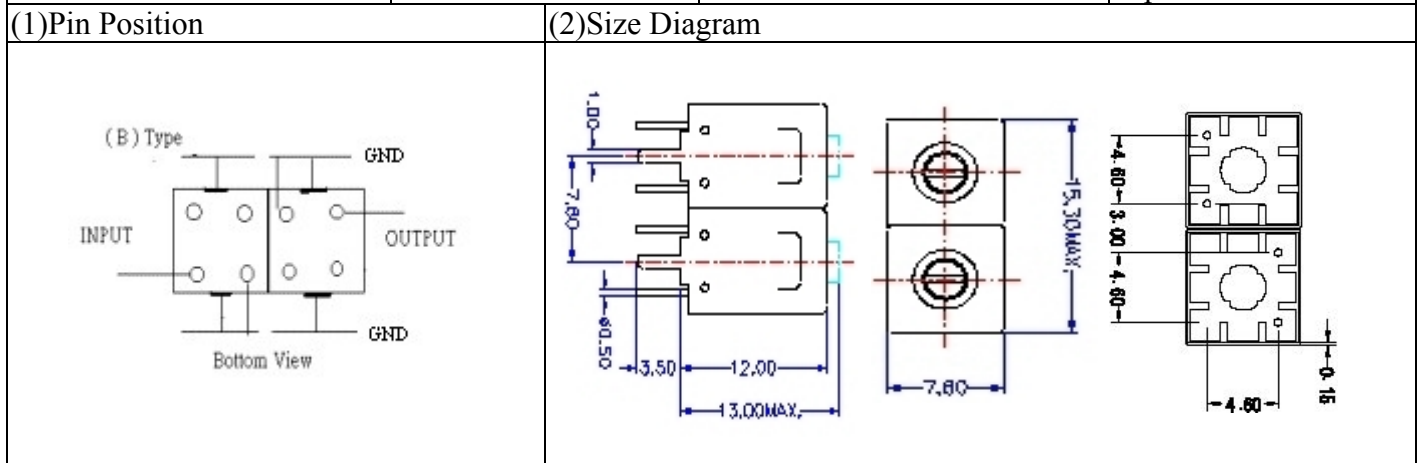


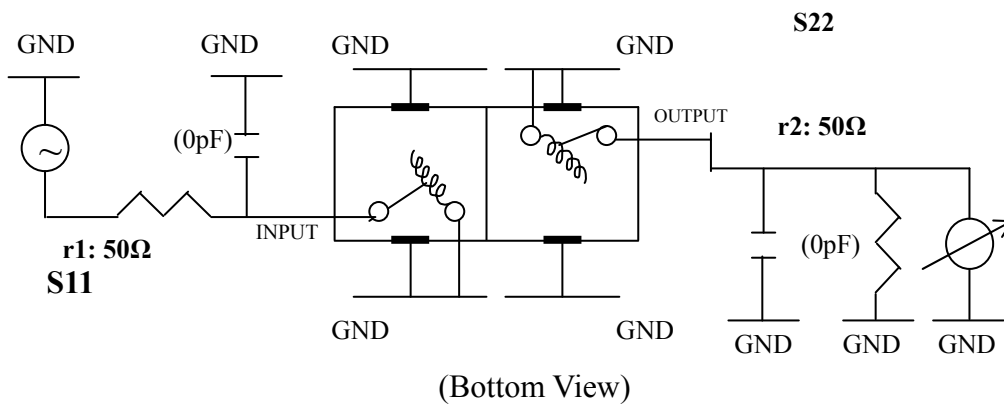
VHF UHF Helical Filter Specification Sheet

Customer Name		Temwell's Part No.	K2B1-450M-11M
Approval No. /dated	0909011CD	Customer's Part No.	K2B1 450M
Work Instruction No.	200909011CD	Date	Sep.18.09



(3) Electric Characteristic			
Item		Specify	Performance
Center Freq.(Fo) +/- 0.5 %		450 MHz	450 MHz
Insertion Loss		Typ. 2.5 dB	1.94 dB
-3 dB Bandwidth		Typ. 11 MHz	13.7 MHz
Sensitivity (Attenuation)	Fo - 50 MHz	Typ. 30 dBc	47 dBc
	Fo + 50 MHz	Typ. 20 dBc	32 dBc
	Fo - ()MHz	Typ. dB	dBc
	Fo + ()MHz	Typ. dB	dBc
Return Loss		Min. 12 dB	25.0 dB
Ripple		< 1 dB	dB
Impedance		In / Out : 50 Ω	In / Out : 50 Ω
(4) Torque for Tuning Screw			
		> 60gf · cm	
(5) Temperature Condition:			
Operating Temperature		0°C ~ +60°C	
Storage Temperature		-20°C ~ +70°C	
(6) Input Power		> 1Watt	

(7) Measuring Circuit: ※Easy to match Impedance S11/S22 50Ω by parallel with about (0) pF.



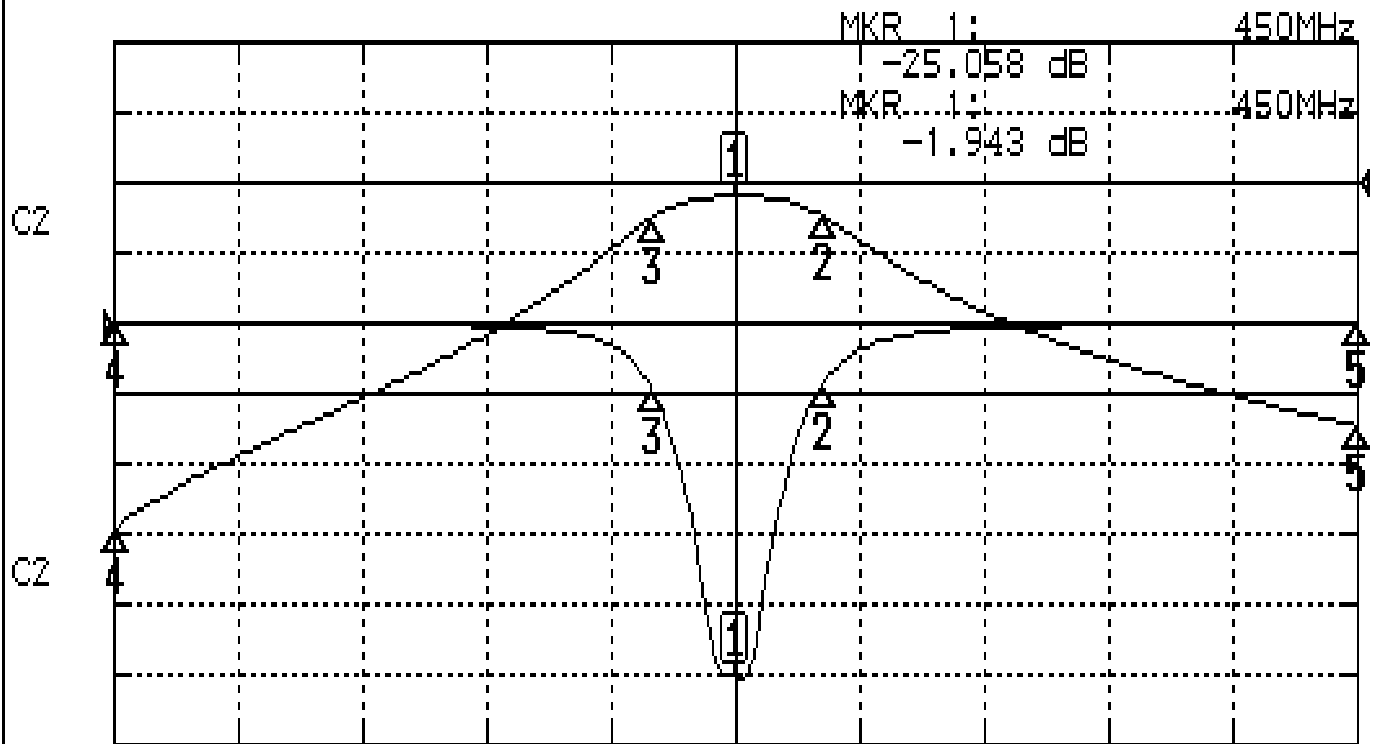
Approval	Supervisor	Designer	Aperture size
C.Y.Chang	C.K.Chang	L.F.Lai	7H2S(4*5.5)(5.60) 7H046RB4

TEMWELL CORPORATION

Performance-K2B1-450M-11M

200909011CD

CH1 S11 LOG MAG REF 0.000 dB 5.000 dB/
CH2 S21 LOG MAG REF 0.000 dB 10.000 dB/



CENTER 450MHz

[10.00 dBm]

SPAN 100MHz

CH1 MARKER LIST

1:	450.000MHz	-25.090 dB
2:	457.083MHz	-4.303 dB
3:	443.333MHz	-4.655 dB
4:	400.000MHz	0.008 dB
5:	500.000MHz	0.014 dB
6:		
7:		
8:		
9:		
10:		

CH2 MARKER LIST

1:	450.000MHz	-1.943 dB
2:	457.083MHz	-4.942 dB
3:	443.333MHz	-4.992 dB
4:	400.000MHz	-49.266 dB
5:	500.000MHz	-34.599 dB
6:		
7:		
8:		
9:		
10:		