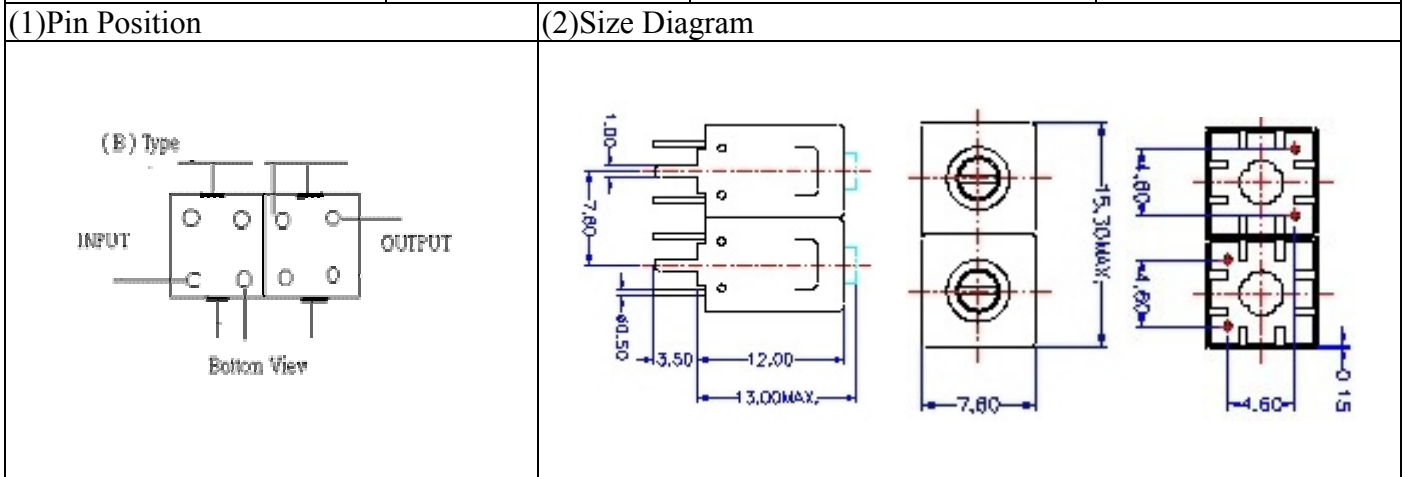


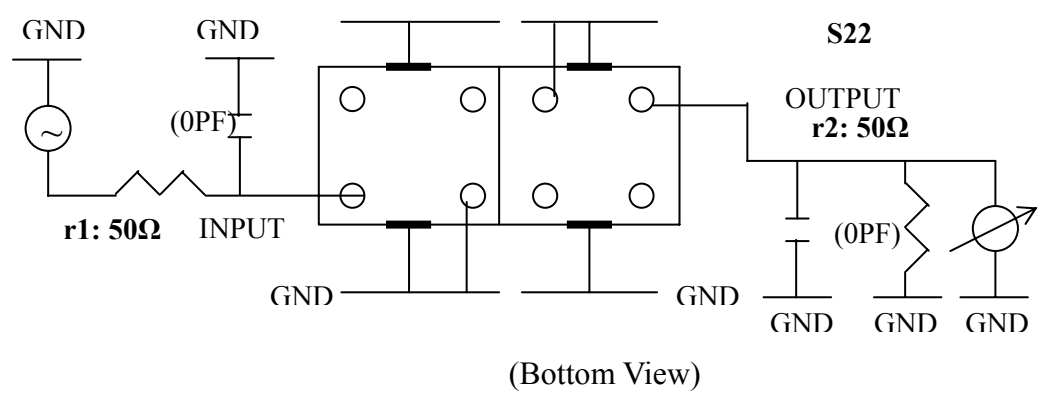
VHF UHF Helical Filter Specification Sheet

Customer Name		Temwell's Part No.	K2B1-505M-13M
Approval No. /dated	20402063DC	Customer's Part No.	
Work Instruction No.	20402063DC	Date	Feb.14.2004



(3) Electric Characteristic			
Item		Specify	Performance
Center Freq.(Fo) +/- 0.5 %		505 MHz	505 MHz
Tunable Range: <input type="checkbox"/> Fo±5MHz <input type="checkbox"/> Fo±10MHz <input type="checkbox"/> Fo±15MHz		505±5 MHz	505±5 MHz
Insertion Loss		Typ. 2.5 dB	1.6 dB
-3 dB Bandwidth		Typ. 13 MHz	18 MHz
Sensitivity (Attenuation)	Fo - 50 MHz	Typ. 25 dBc	33 dBc
	Fo + 50 MHz	Typ. 20 dBc	24 dBc
	Fo - ()MHz	Typ. dBc	dBc
	Fo +()MHz	Typ. dBc	dBc
Return Loss		Min. 12 dB	26 dB
Ripple		< 1 dB	dB
Impedance		In / Out : 50 Ω	In / Out : 50 Ω
(4) Torque for Tuning Screw		> 60gf · cm	
(5) Temperature Condition:			
Operating Temperature		0°C ~ +60°C	
Storage Temperature		20°C ~ +70°C	
(6) Input Power		> 1Watt	

(7) Measuring Circuit: ※Easy to match Impedance 50Ω by parallel with about (0)PF.

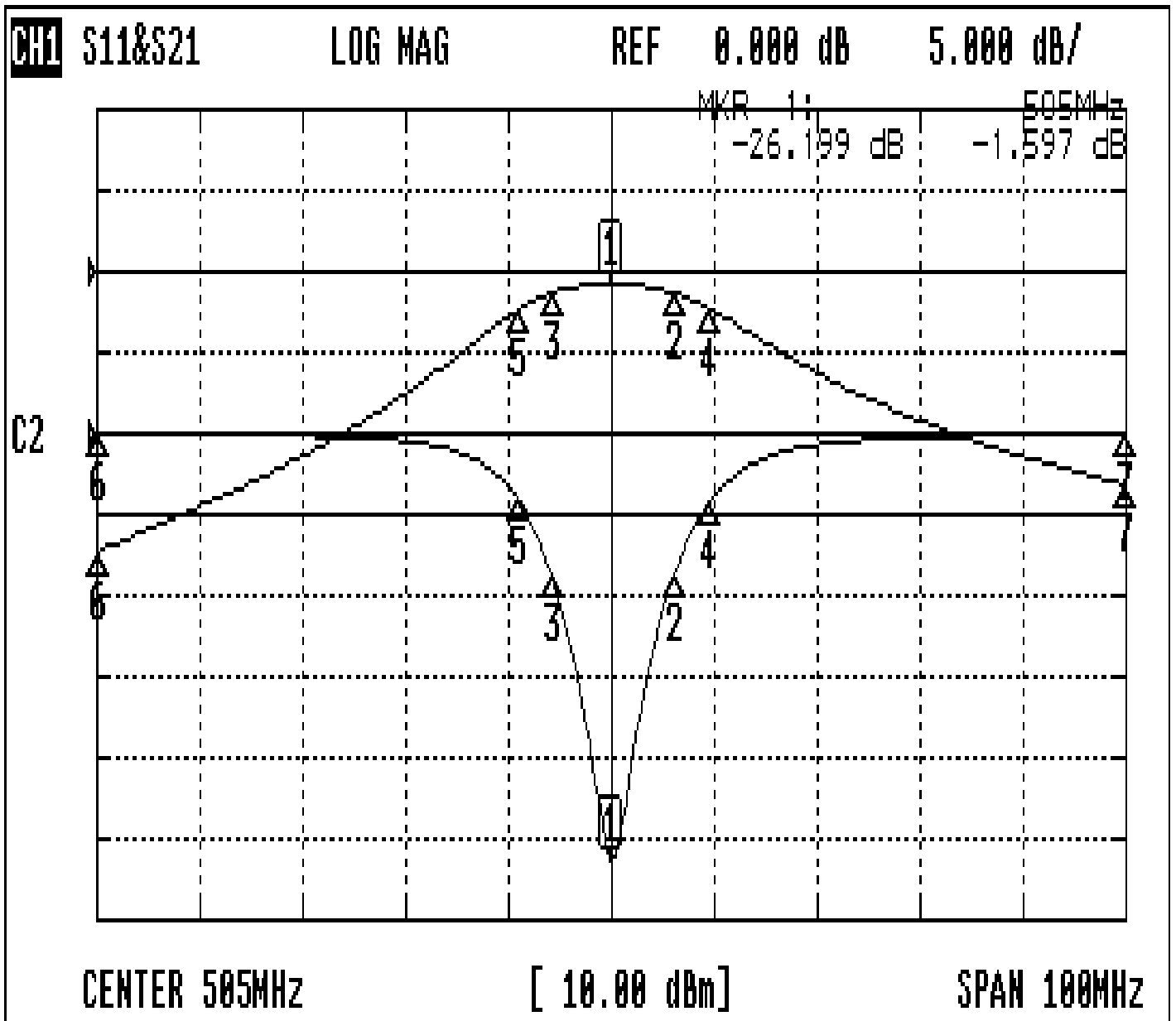


Approval	Supervisor	Designer	Aperture size
C.Y.Chang	C.S.Chang	Enlan	7H2(4*6.5)(4*6.6)F 7H046RB4

TEMWELL CORPORATION

Performance-K2B1-505M-13M

20402063DC



CH1 MARKER LIST

1:	505.000MHz	-26.199 dB	-1.597 dB
2:	511.166MHz	-8.748 dB	-2.633 dB
3:	499.250MHz	-8.792 dB	-2.638 dB
4:	514.666MHz	-4.135 dB	-4.599 dB
5:	496.883MHz	-4.150 dB	-4.646 dB
6:	455.000MHz	0.004 dB	-34.510 dB
7:	555.000MHz	-0.028 dB	-26.204 dB