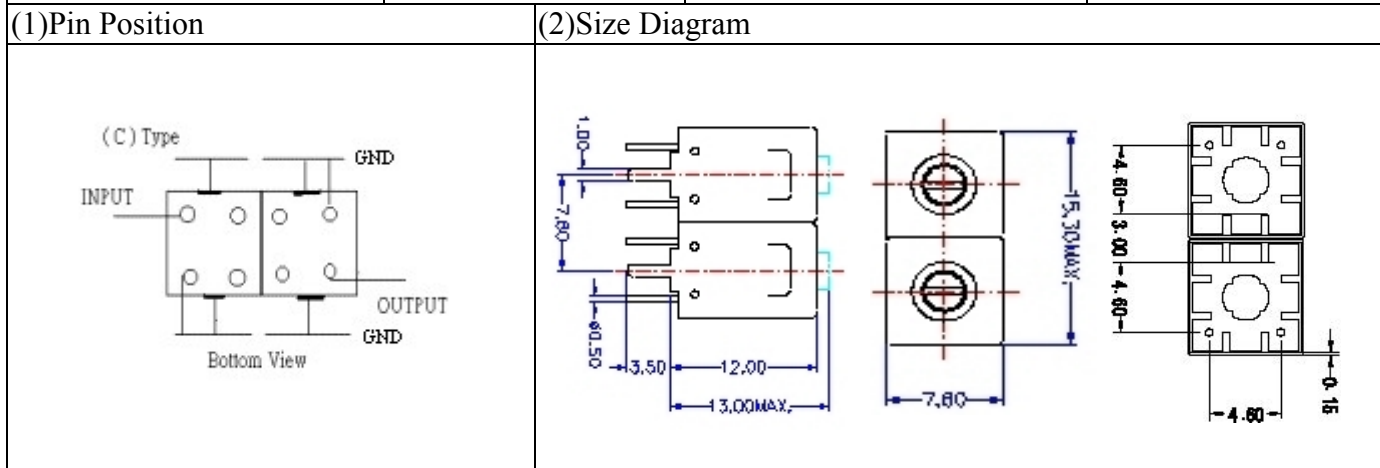


VHF UHF Helical Filter Specification Sheet

Customer Name		Temwell's Part No.	K2C-640M-15M
Approval No. /dated	201010088CD	Temwell's Print name.	K2C 640M
Work Instruction No.	201010088CD	Date	Nov.10.2010



(3) Electric Characteristic

Item	Specify	Performance	
Center Freq.(Fo) +/- 0.5 %	640 MHz	640 MHz	
Insertion Loss	Typ. 3.0 dB	2.01 dB	
-3 dB Bandwidth	Typ. 15 MHz	18.3 MHz	
Sensitivity (Attenuation)	Fo - 30 MHz	Typ. 18 dBc	21 dBc
	Fo + 30 MHz	Typ. 15 dBc	17 dBc
	Fo - () MHz	Typ. dBc	dBc
	Fo + () MHz	Typ. dBc	dBc
Return Loss	Min. 12 dB	21.6 dBc	
Ripple	< 1 dB	dB	
Impedance	In / Out : 50 Ω	In / Out : 50 Ω	

(4) Torque for Tuning Screw > 100gf · cm

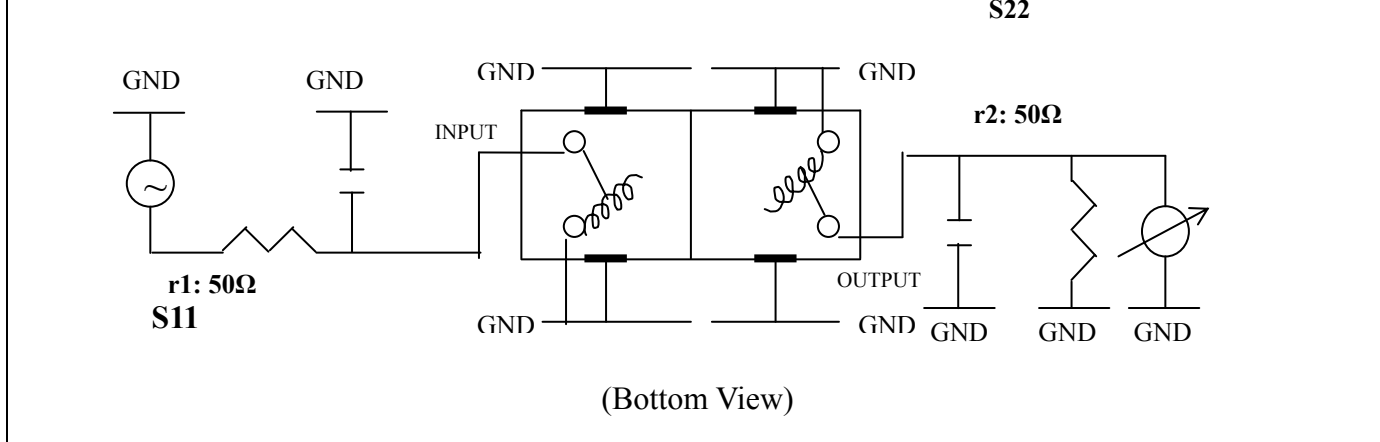
(5) Temperature Condition:

Operating Temperature	0°C ~ +60°C
-----------------------	-------------

Storage Temperature	-20°C ~ +70°C
---------------------	---------------

(6) Input Power > 1Watt

(7) Measuring Circuit: ※Easy to match Impedance S11/S22 50Ω by parallel with about().



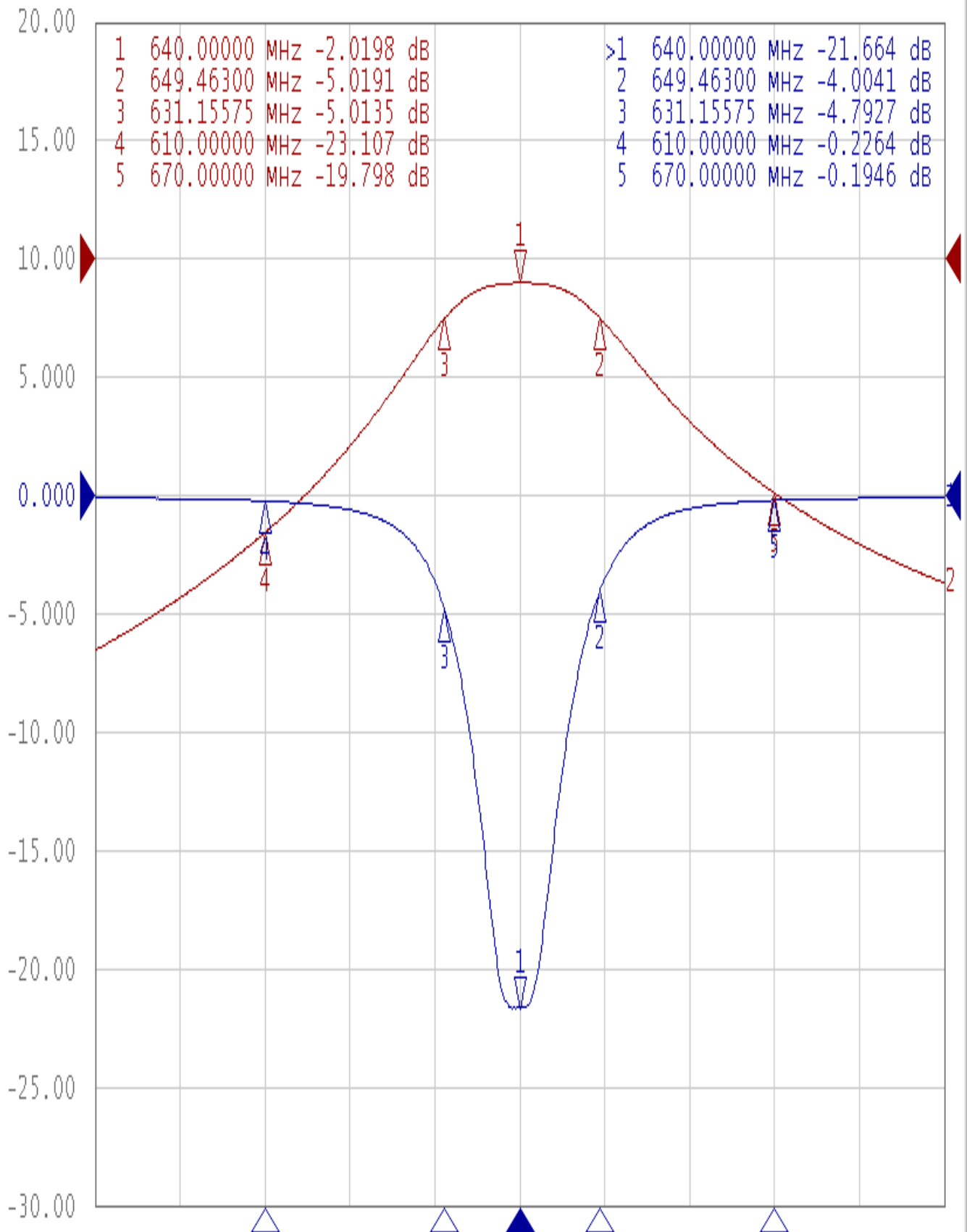
Approval C.Y.Chang	Supervisor C.K.Chang	Designer C.S.Chang	Aperture size 7H2S-4*4.65(4.69) 7H046RB4.3 聚 3
-----------------------	-------------------------	-----------------------	--

TEMWELL CORPORATION

Performance-K2C-640M-15M

201010088CD

▶ Tr1 S11 Log Mag 5.000dB/ Ref 0.000dB [F2]
Tr2 S21 Log Mag 10.00dB/ Ref 0.000dB [F2]



1 Center 640 MHz

IFBW 10 kHz

Span 100 MHz Cor !