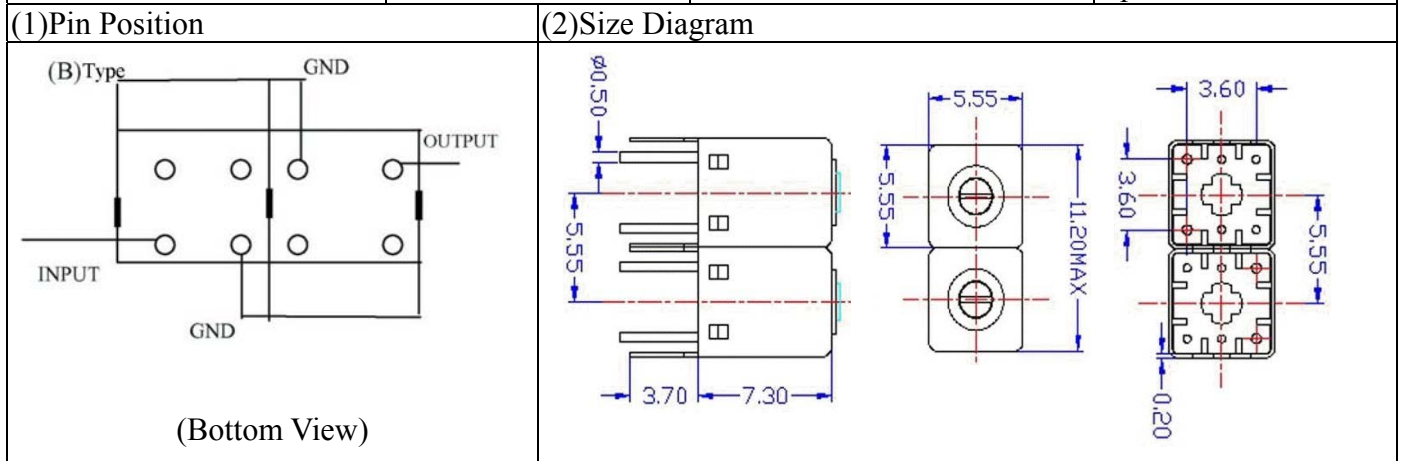
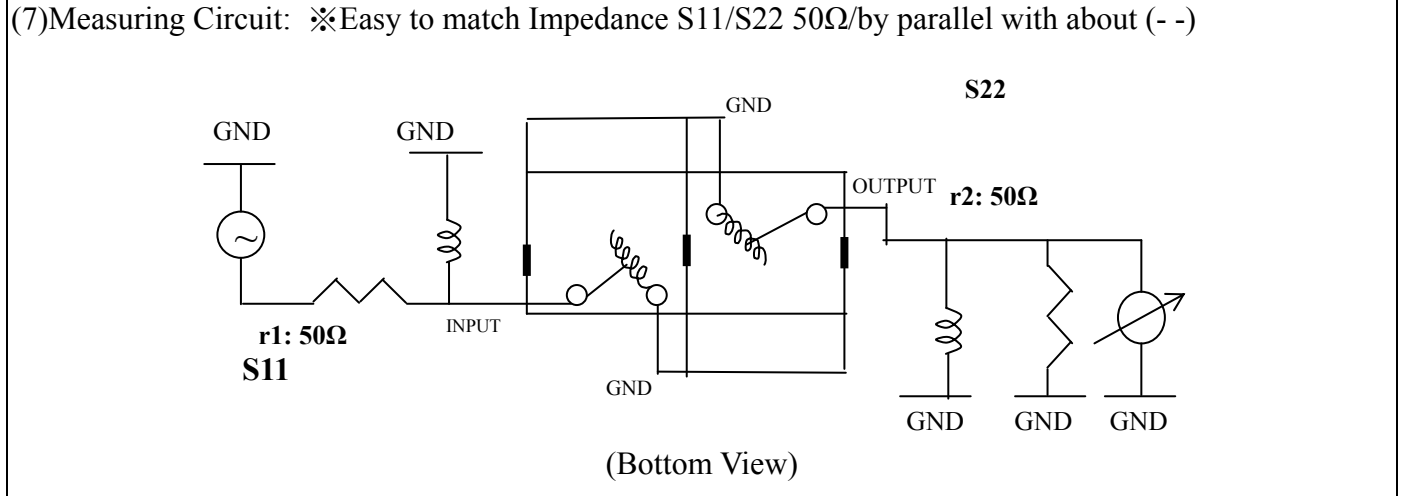


VHF UHF Helical Filter Specification Sheet

Customer Name		Temwell's Part No.	K2RB-1070M-30M
Approval No. /dated	201404044CD	Temwell's print name.	K2RB 1070M
Work Instruction No.	201404044CD	Date	Apr.14.2014



(3) Electric Characteristic			
Item		Specify	Performance
Center Freq.(Fo) +/- 0.5 %		1070 MHz	1070 MHz
Insertion Loss		Typ. 3.5 dB	2.31 dB
- 3dB Bandwidth		Typ. 30 MHz	34.1 MHz
- 1dB Bandwidth		Typ. 18 MHz	22.0 MHz
Sensitivity (Attenuation)	Fo -100 MHz	Typ. 24 dBc	35 dBc
	Fo +100 MHz	Typ. 19 dBc	26 dBc
	Fo - ()MHz	Typ. dBc	dBc
	Fo +()MHz	Typ. dBc	dBc
Return Loss		Min. 12 dB	21.2 dB
Ripple		< 1 dB	dB
Impedance		In / Out : 50 Ω	In / Out : 50 Ω
(4) Torque for Tuning Screw		> 60gf · cm	
(5) Temperature Condition:			
Operating Temperature		0°C ~ + 60°C	
Storage Temperature		-20°C ~ +70°C	
(6) Input Power		> 0.5Watt	



Approval	Supervisor	Designer	Aperture size
C.Y.Chang	C.K.Chang	P.H.Chiang	5R2S(3.8*3.65)(3.68) 5HW024RB3
TEMWELL CORPORATION			

Performance-K2RB-1070M-30M

201404044CD

