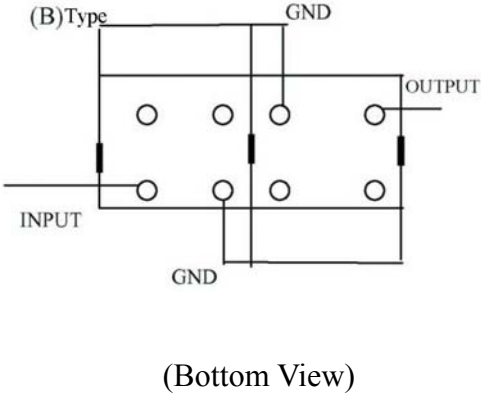
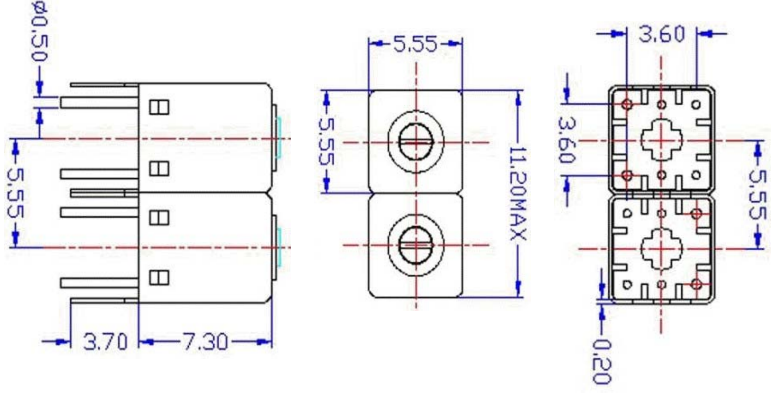
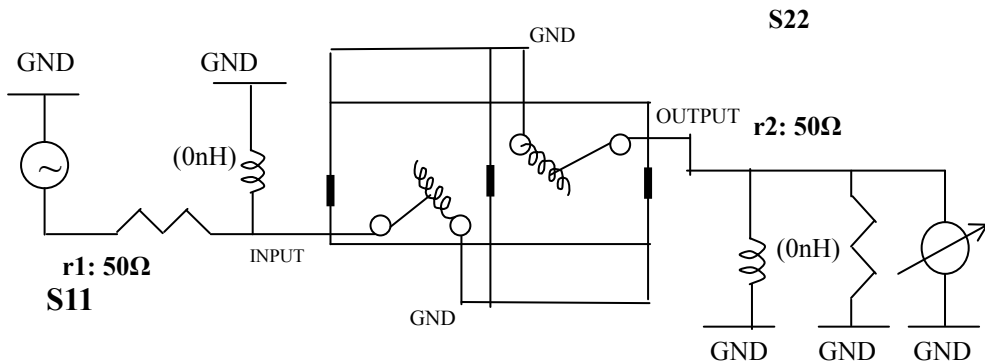


VHF UHF Helical Filter Specification Sheet

Customer Name		Temwell's Part No.	K2RB-1130M-26M
Approval No. /dated	0907080CD	Temwell's print name.	K2RB 1130M
Work Instruction No.	200907080CD	Date	Aug.28.2009

(1)Pin Position	(2)Size Diagram
 <p>(Bottom View)</p>	

(3)Electric Chararistic					
Item		Specify		Performance	
Center Freq.(Fo) +/- 0.5 %		1130 MHz		1130 MHz	
Insertion Loss		Typ. 3.5 dB		2.20 dB	
- 3dB Bandwidth		Typ. 26 MHz		31.0 MHz	
Sensitivity (Attenuation)	Fo -100 MHz	Typ. 25 dBc		33 dBc	
	Fo +100 MHz	Typ. 20 dBc		28 dBc	
	Fo - ()MHz	Typ. dBc		dBc	
	Fo +()MHz	Typ. dBc		dBc	
Return Loss		Min. 12 dB		20.7 dB	
Ripple		< 1 dB		dB	
Impedance		In / Out : 50 Ω		In / Out : 50 Ω	
(4)Torque for Tuning Screw		> 60gf • cm			
(5)Temperature Condition:					
Operating Temperature		0°C ~ + 60°C			
Storage Temperature		-20°C ~+70°C			
(6)Input Power		> 0.5Watt			

(7)Measuring Circuit: ※Easy to match Impedance S11/S22 50Ω/by parallel with about (0)nH.			
 <p>(Bottom View)</p>			

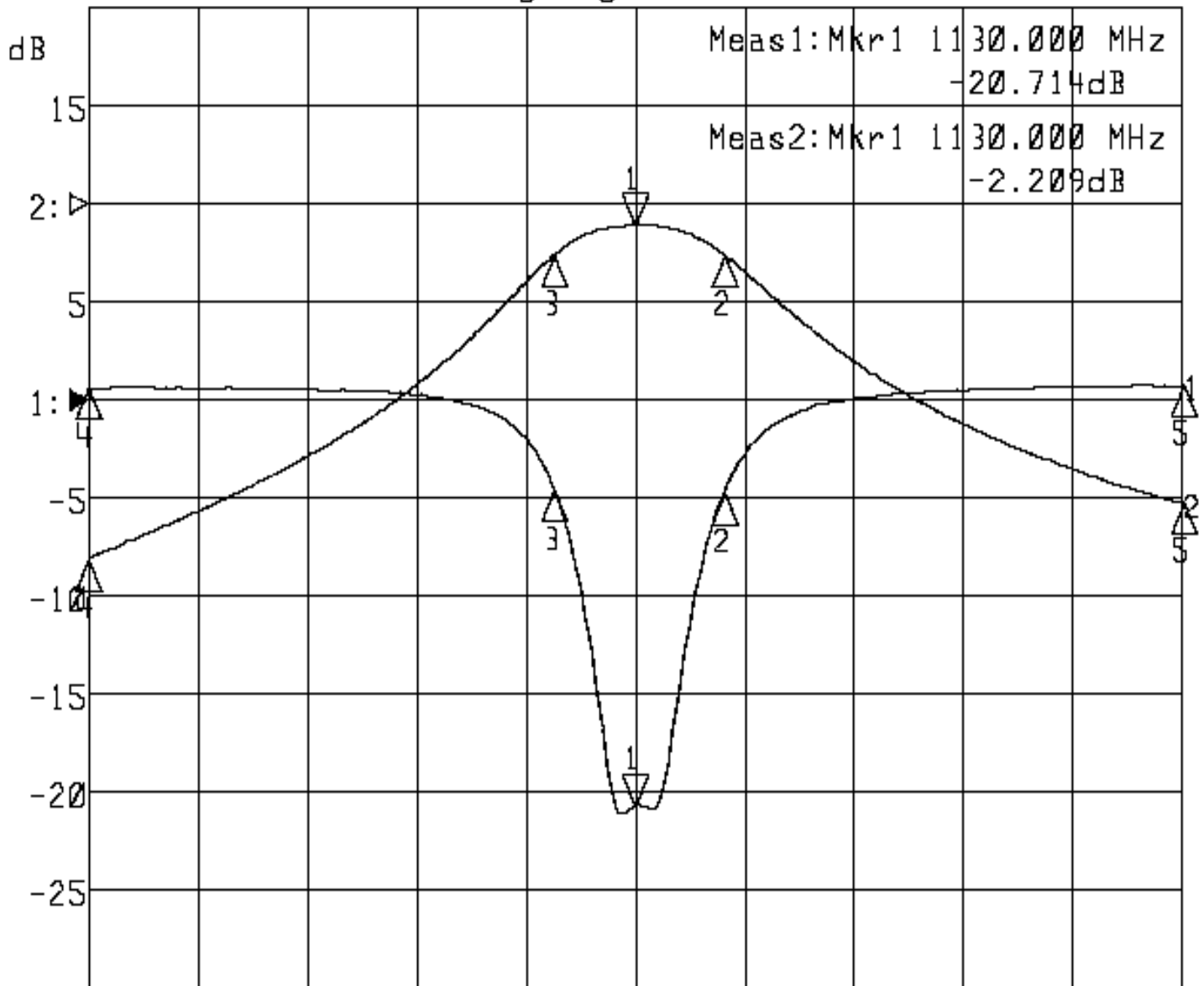
Approval	Supervisor	Designer	Aperture size
C.Y.Chang	C.K.Chang	F.L.Lai	5R2S(3.8*3.7)(3.71) 5HW024RB3

TEMWELL CORPORATION

Performance-K2RB-1130M-26M

200907080CD

▶1:S11 Refl Port1 Log Mag 5.0 dB/ Ref 0.00 dB C
▶2:S21 Fwd Trans Log Mag 10.0 dB/ Ref 0.00 dB C



Center 1 130.000 MHz

Span 200.000 MHz

1:Mkr (MHz)	dB	2:Mkr (MHz)	dB
1> 1130.0000	-20.714	1> 1130.0000	-2.209
2: 1146.2000	-4.733	2: 1146.2000	-5.131
3: 1115.2667	-4.581	3: 1115.2667	-5.183
4: 1030.0000	0.605	4: 1030.0000	-36.133
5: 1230.0000	0.736	5: 1230.0000	-30.555