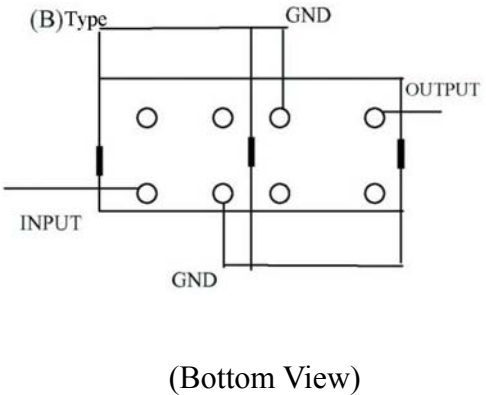
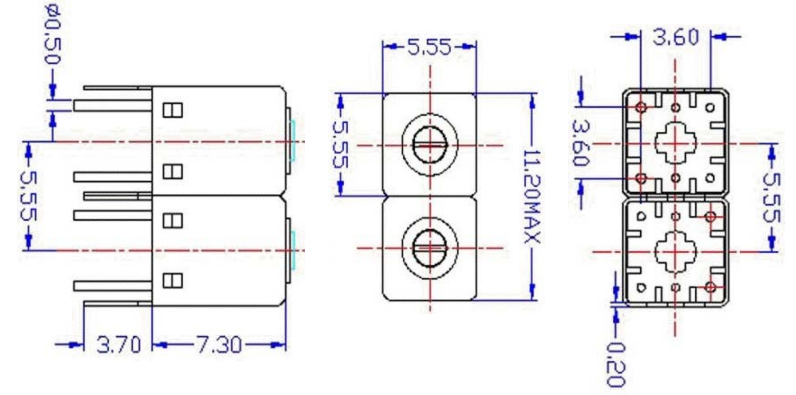


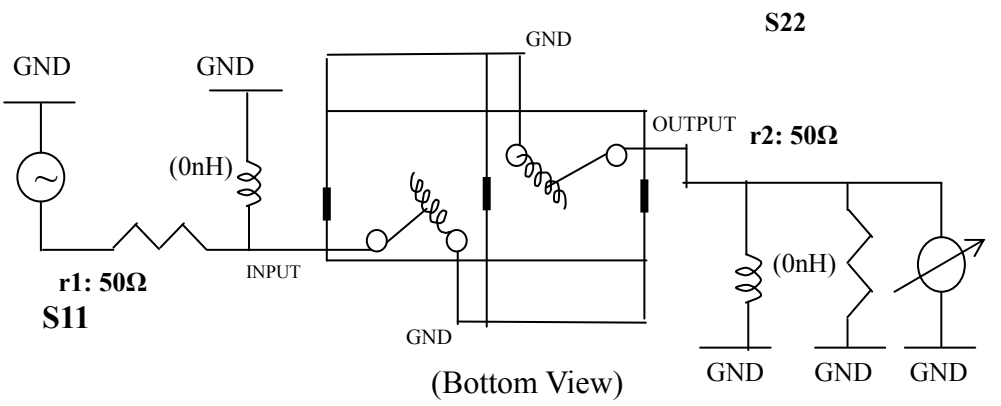
VHF UHF Helical Filter Specification Sheet

Customer Name		Temwell's Part No.	K2RB-320M-10M
Approval No. /dated	0908113CD	Temwell,s print name.	K2RB 320M
Work Instruction No.	200908113CD	Date	Sep.03.2009

(1)Pin Position	(2)Size Diagram
 <p>(Bottom View)</p>	

(3)Electric Charasteric			
Item		Specify	Performance
Center Freq.(Fo) +/- 0.5 %		320 MHz	320 MHz
Insertion Loss		Typ. 3.0 dB	1.92 dB
-3 dB Bandwidth		Typ. 10 MHz	16.5 MHz
Sensitivity (Attenuation)	Fo - 50 MHz	Typ. 25 dBc	28 dBc
	Fo + 50 MHz	Typ. 25 dBc	31 dBc
	Fo - ()MHz	Typ. dBc	dBc
	Fo +()MHz	Typ. dBc	dBc
Return Loss		Min. 12 dB	41.4 dB
Ripple		< 1 dB	dB
Impedance		In / Out : 50 Ω	In / Out : 50 Ω
(4)Torque for Tuning Screw		> 60gf • cm	

(5)Temperature Condition:	
Operating Temperature	0°C ~ +60°C
Storage Temperature	20°C ~ +70°C
(6)Input Power	> 0.5Watt

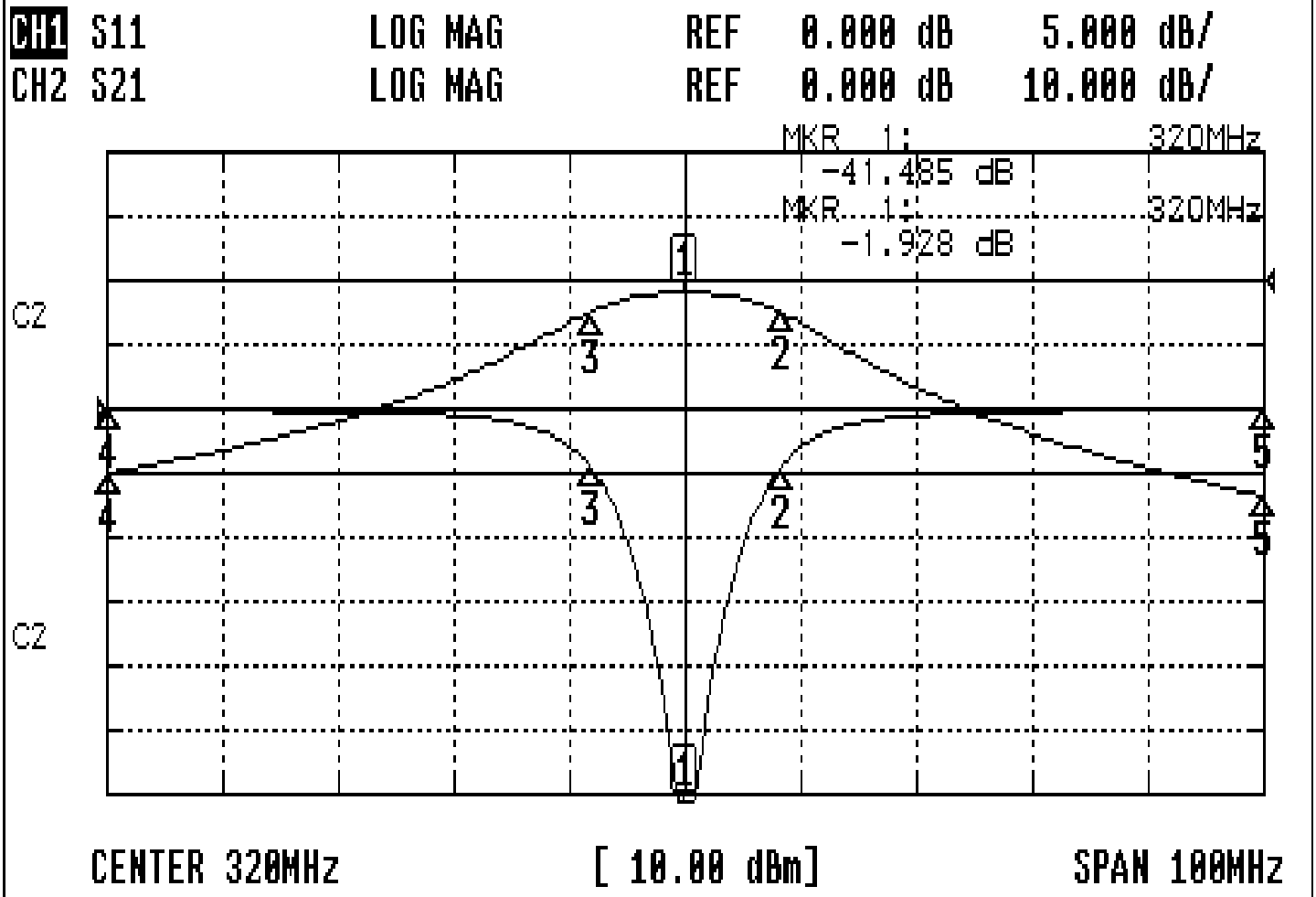
(7)Measuring Circuit: ※Easy to match Impedance S11/S22 50Ω/ by parallel with about (0) nH.	
 <p>(Bottom View)</p>	

Approval	Supervisor	Designer	Aperture size
C.Y.Chang	C.K.Chang	C.H.Yeh	5R2S(3.8*3.7)(3.69) 5HW020RB3.5

TEMWELL CORPORATION

Performance-K2RB-320M-10M

200908113CD



CH1 MARKER LIST

1:	320.000MHz	-41.485	dB
2:	328.250MHz	-4.620	dB
3:	311.750MHz	-4.385	dB
4:	270.000MHz	-0.094	dB
5:	370.000MHz	-0.045	dB
6:			
7:			
8:			
9:			
10:			

CH2 MARKER LIST

1:	320.000MHz	-1.928	dB
2:	328.250MHz	-4.960	dB
3:	311.750MHz	-4.969	dB
4:	270.000MHz	-30.010	dB
5:	370.000MHz	-33.493	dB
6:			
7:			
8:			
9:			
10:			