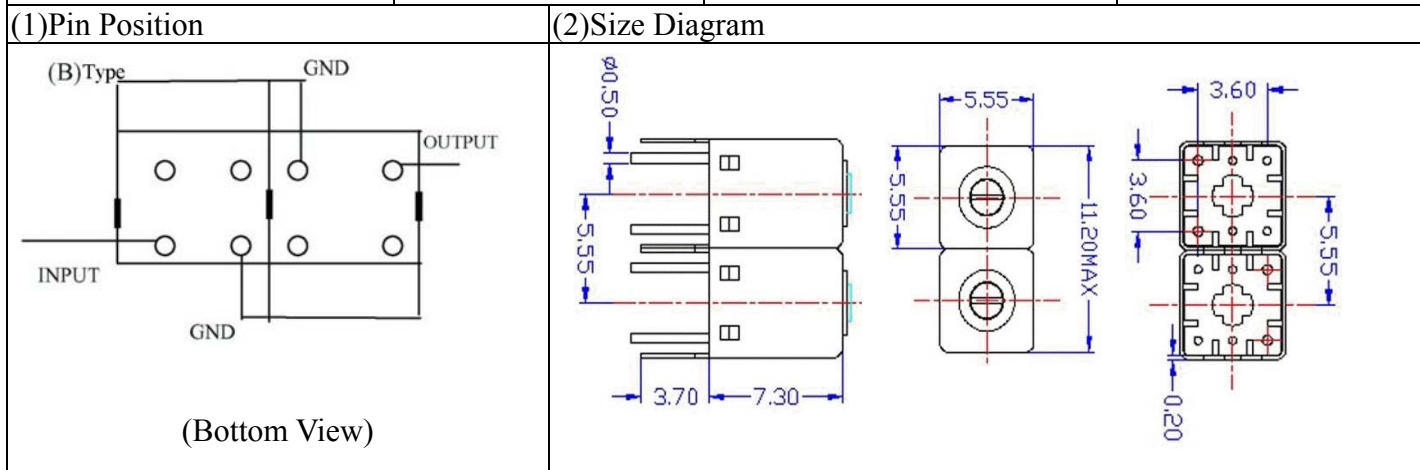


VHF UHF Helical Filter Specification Sheet

Customer Name		Temwell's Part No.	K2RB-380M-10M
Approval No. /dated	1001081APR	Customer's Part No.	K2RB 380M
Work Instruction No.	201001081BD	Date	Jan.28.2010



(3) Electric Characteristic

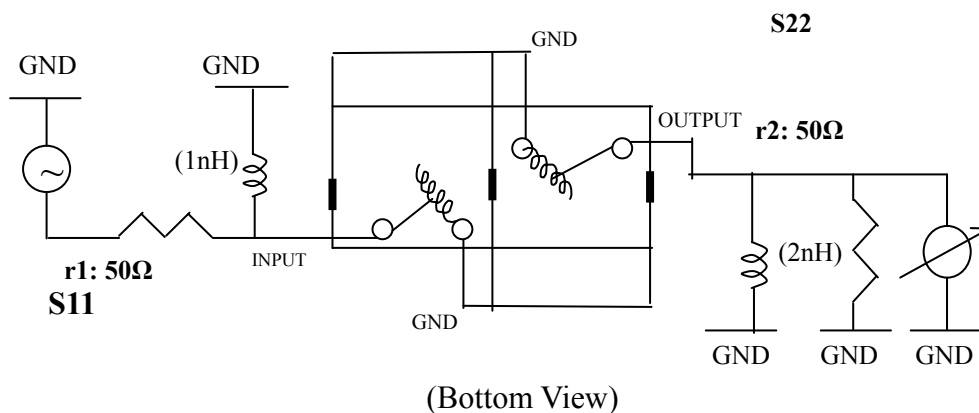
Item	Specify	Performance
Center Freq.(Fo) +/- 0.5 %	380 MHz	380 MHz
Insertion Loss	Typ. 3.5 dB	2.46 dB
-3 dB Bandwidth	Typ. 10 MHz	16.1 MHz
Sensitivity (Attenuation)	Fo - 50 MHz	Typ. 25 dBc
	Fo + 50 MHz	Typ. 25 dBc
	Fo - ()MHz	Typ. dBc
	Fo + ()MHz	Typ. dBc
Return Loss	Min. 12 dB	18.6 dB
Ripple	< 1 dB	
Impedance	In / Out : 50 Ω	In / Out : 50 Ω
(4) Torque for Tuning Screw	> 60gf · cm	

(5) Temperature Condition:

Operating Temperature	0°C ~ +60°C
Storage Temperature	20°C ~ +70°C

(6) Input Power

(7) Measuring Circuit: ※ Easy to match Impedance 50Ω by parallel with about (1)nH / (2)nH



Approval	Supervisor	Designer	Aperture size
C.Y.Chang	C.K.Chang	Y.H.Yeh	5R2S(3.8*3.7)(3.79) 5HW024LB3

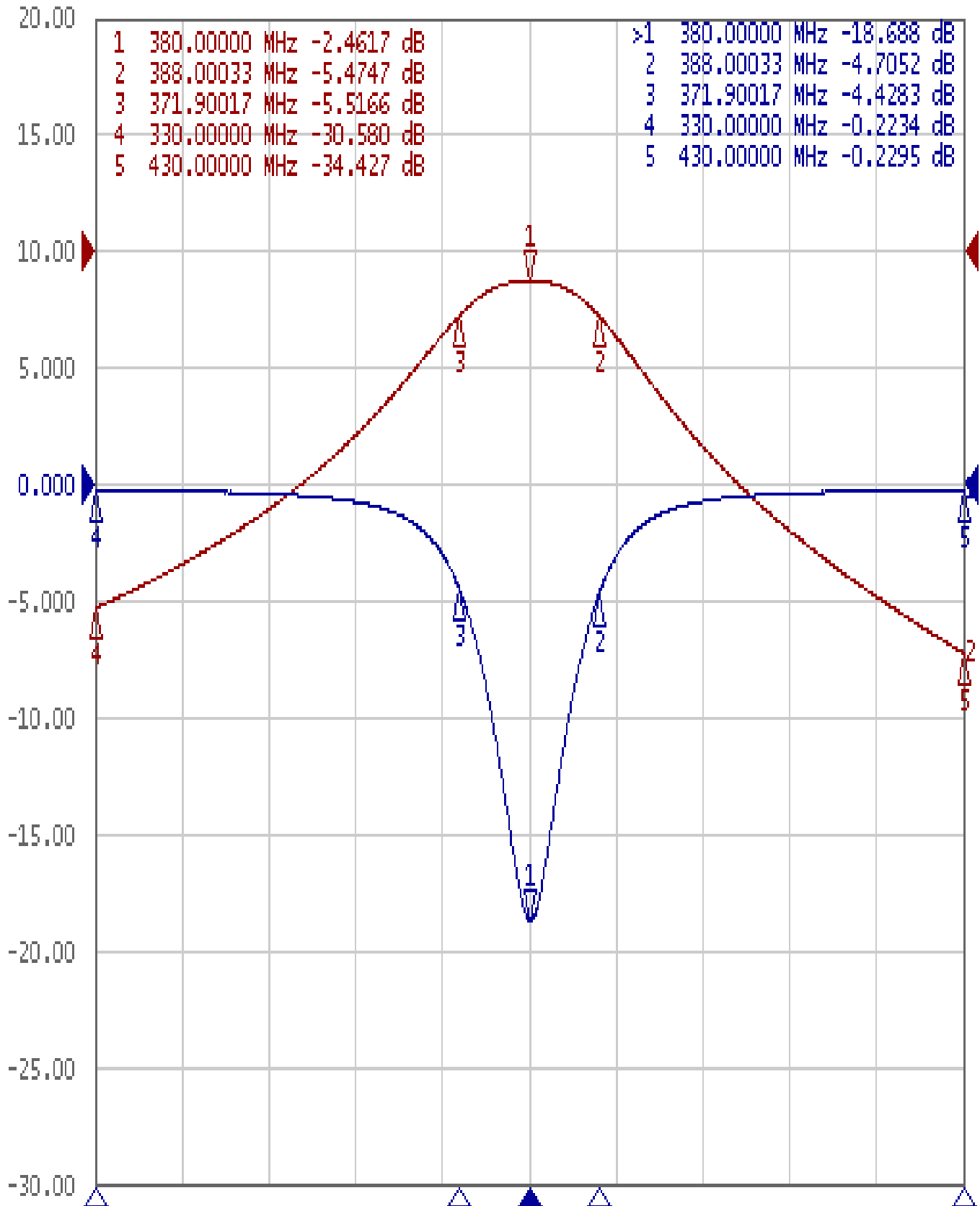
TEMWELL CORPORATION

Performance-K2RB-380M-10M

201001081BD

Tr1 S11 Log Mag 5.000dB/ Ref 0.000dB [F2]

Tr2 S21 Log Mag 10.00dB/ Ref 0.000dB [F2]



1 Center 380 MHz

IFBW 10 kHz

Span 100 MHz Cor !