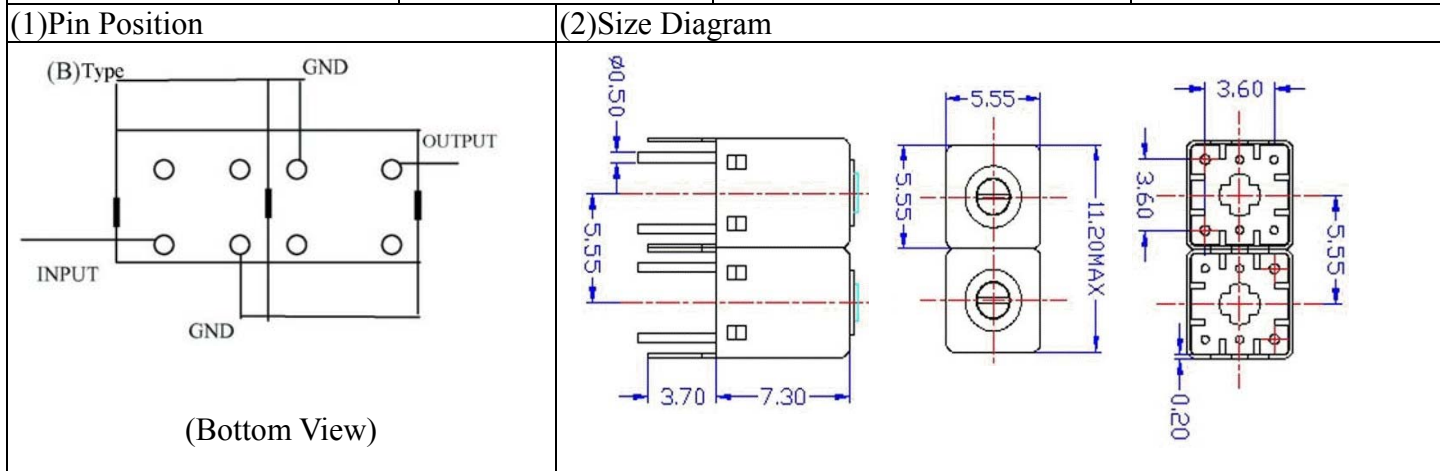


VHF UHF Helical Filter Specification Sheet

Customer Name		Temwell's Part No.	K2RB-415M-10M
Approval No. /dated	0904112CD	Temwell's Print name	K2RB 415M
Work Instruction No.	200904112CD	Date	Jun.22.2009



(3) Electric Characteristic

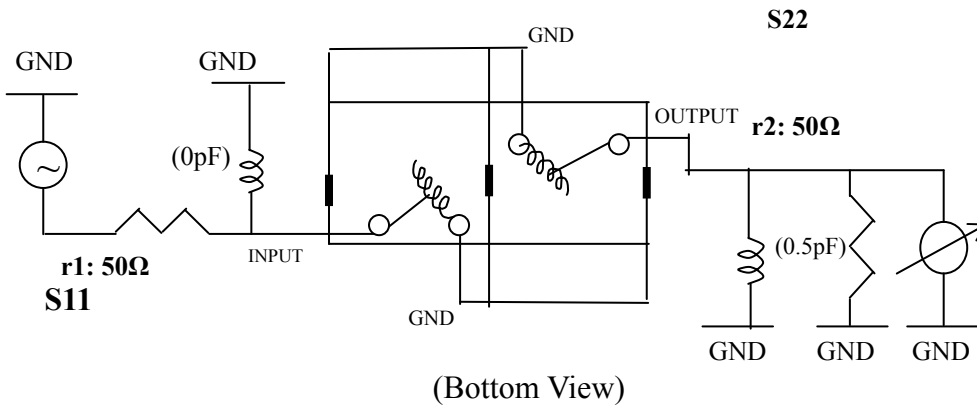
Item	Specify	Performance	
Center Freq.(Fo) +/- 0.5 %	415 MHz	415 MHz	
Insertion Loss	Typ. 3.5 dB	2.77 dB	
-3 dB Bandwidth	Typ. 10 MHz	14.0 MHz	
Sensitivity (Attenuation)	Fo - 50 MHz	Typ. 25 dBc	38 dBc
	Fo + 50 MHz	Typ. 25 dBc	31 dBc
	Fo - ()MHz	Typ. dBc	dBc
	Fo +()MHz	Typ. dBc	dBc
Return Loss	Min. 12 dB	21.0 dB	
Ripple	< 1 dB	dB	
Impedance	In / Out : 50 Ω	In / Out : 50 Ω	
(4) Torque for Tuning Screw	> 60gf • cm		

(5) Temperature Condition:

Operating Temperature	0°C ~ +60°C
Storage Temperature	-20°C ~ +70°C

(6) Input Power > 0.5Watt

(7) Measuring Circuit: ※Easy to match Impedance S11/S22 50Ω/ by parallel with about (0pF)/(0.5pF).

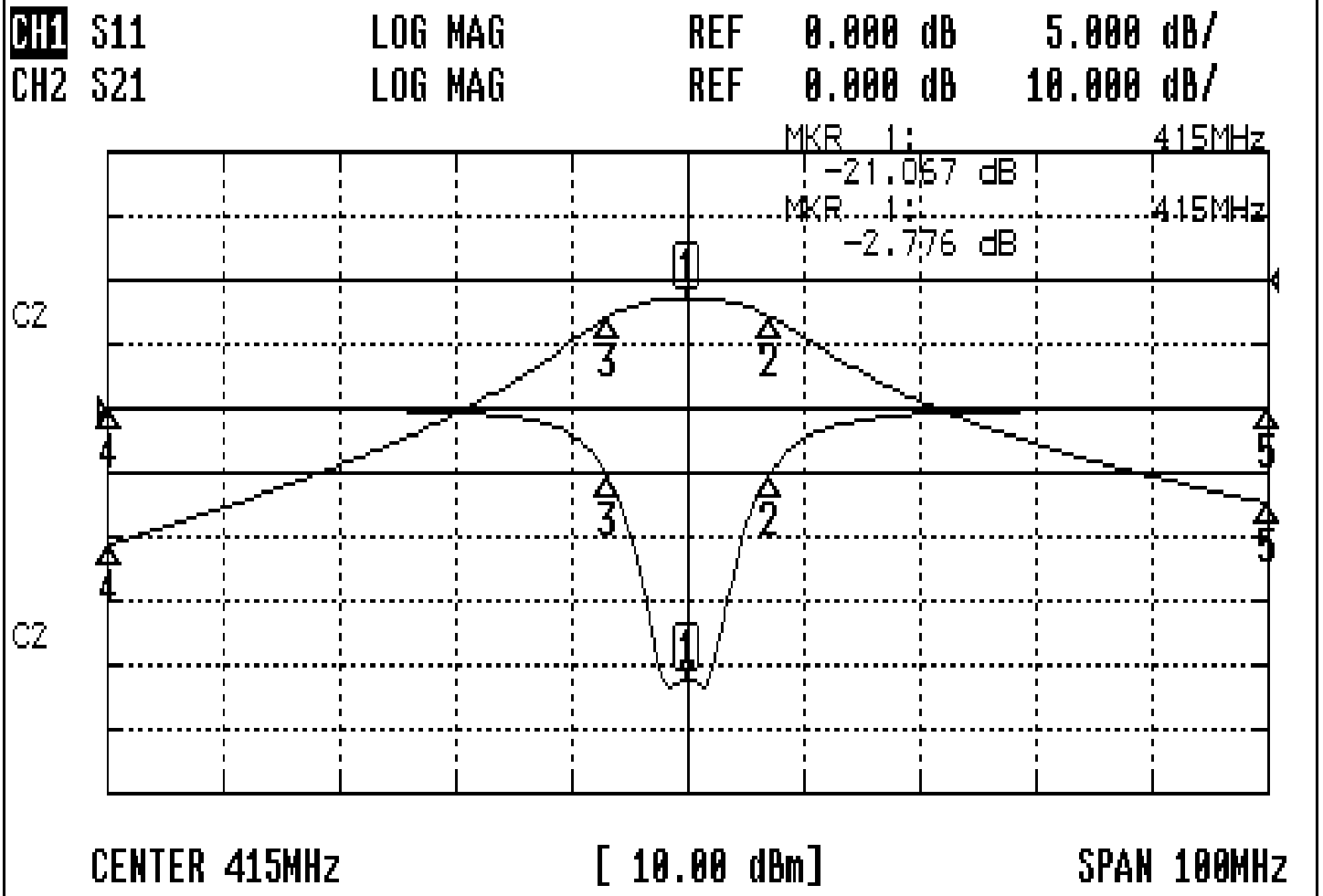


Approval C.Y.Chang	Supervisor C.K.Chang	Designer C.H.Yeh	Aperture size 5R2S(3.8*3.7)(3.75) 5HW024LB3
-----------------------	-------------------------	---------------------	---

TEMWELL CORPORATION

Performance-K2RB-415M-10M

200904112CD



CH1 MARKER LIST

1:	415.000MHz	-21.060 dB
2:	422.166MHz	-15.038 dB
3:	408.166MHz	-15.186 dB
4:	365.000MHz	0.005 dB
5:	465.000MHz	0.028 dB

CH2 MARKER LIST

1:	415.000MHz	-2.776 dB
2:	422.166MHz	-15.766 dB
3:	408.166MHz	-15.771 dB
4:	365.000MHz	-41.466 dB
5:	465.000MHz	-34.678 dB