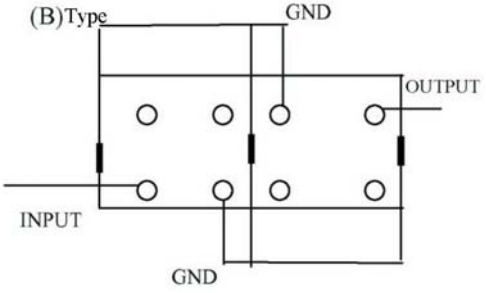
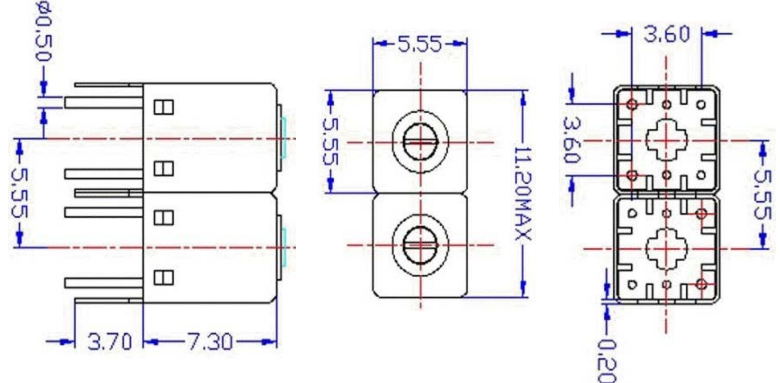


# VHF UHF Helical Filter Specification Sheet

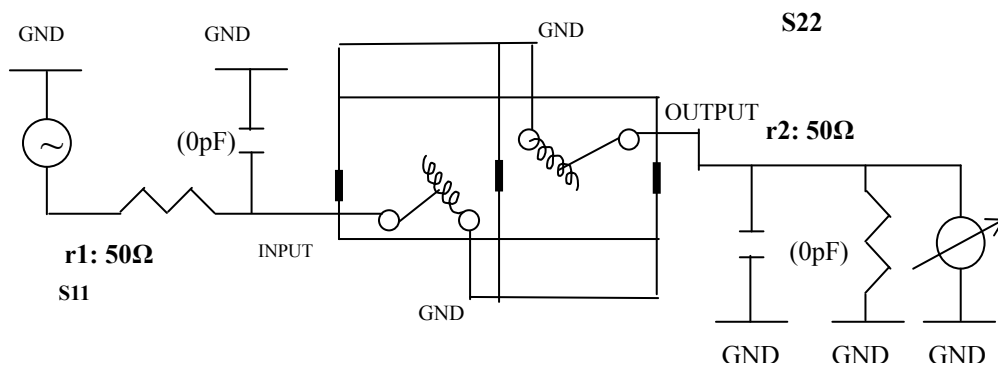
Customer Name		Temwell's Part No.	K2RB-450M-11M
Approval No. /dated	1002020CD	Temwell's print name.	K2RB 450M
Work Instruction No.	201002020CD	Date	Feb.23.2010

(1)Pin Position	(2)Size Diagram
 <p>(Bottom View)</p>	

(3)Electric Charasteric					
Item		Specify		Performance	
Center Freq.(Fo ) +/- 0.5 %		450 MHz		450 MHz	
Insertion Loss		Typ. 3.5 dB		3.07 dB	
-3 dB Bandwidth		Typ. 11 MHz		15.4 MHz	
Sensitivity (Attenuation)	Fo - 50 MHz	Typ. 22 dBc		26 dBc	
	Fo +50 MHz	Typ. 25 dBc		34 dBc	
	Fo - ( )MHz	Typ. dBc		dBc	
	Fo +( )MHz	Typ. dBc		dBc	
Return Loss		Min. 12 dB		19.8 dB	
Ripple		< 1 dB		dB	
Impedance		In / Out : 50 Ω		In / Out : 50 Ω	
(4)Torque for Tuning Screw		>60 gf · cm			

(5)Temperature Condition:	
Operating Temperature	0°C ~ +60°C
Storage Temperature	-20°C ~ +70°C
(6)Input Power	>0.5Watt

(7)Measuring Circuit: ※Easy to match Impedance 50Ω by parallel with about (0) pF.



(Bottom View)

Approval	Supervisor	Designer	Aperture size
C.Y.Chang	C.K.Chang	P.H.Chiang	5R2S(3.8*3.7)(3.75) 5HW024LB3

TEMWELL CORPORATION

TEMWELL

Form10-5R2B Vision D

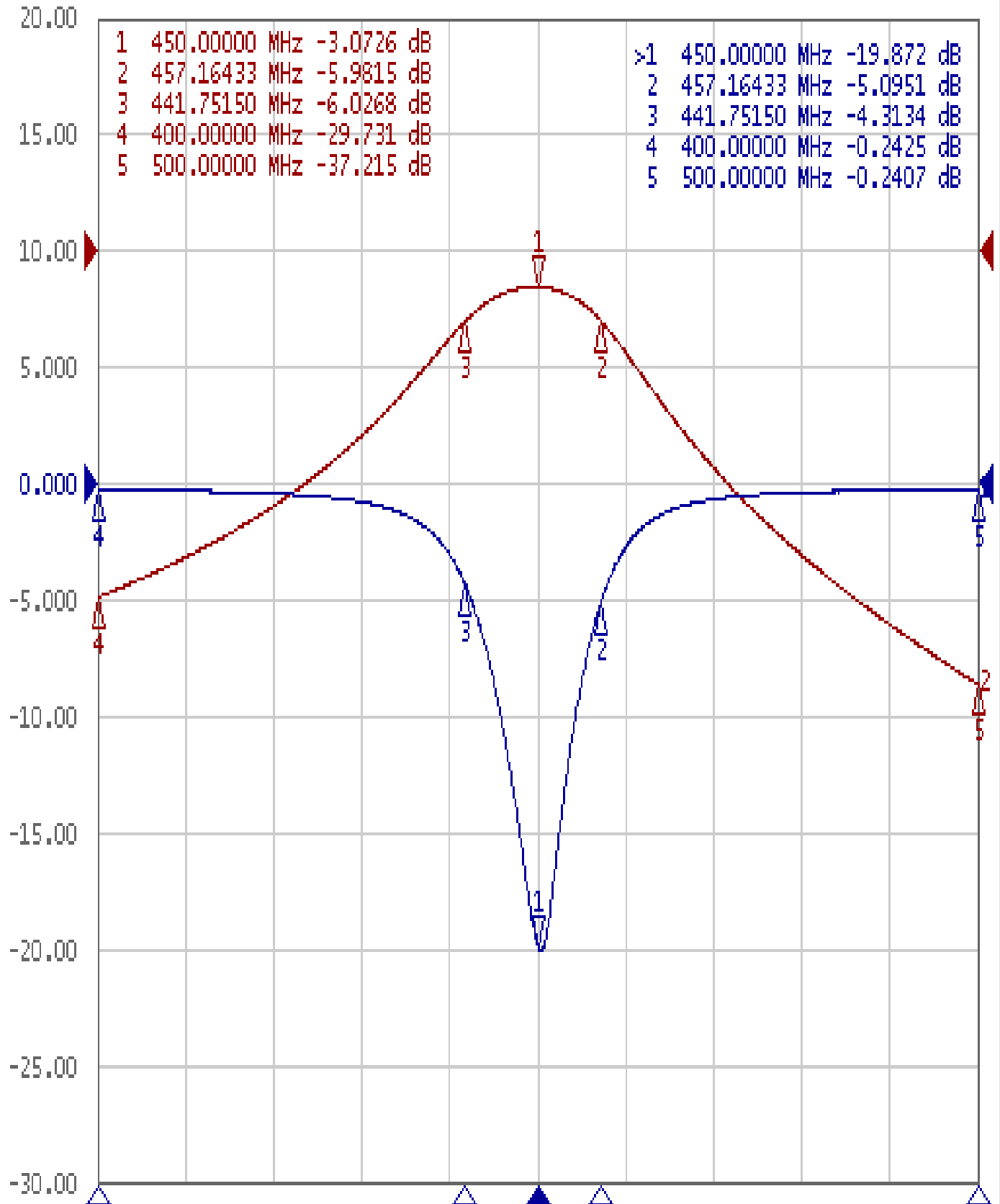
RP(Y.H.Y)

# Performance-K2RB-450M-11M

## 201002020CD

Tr1 S11 Log Mag 5.000dB/ Ref 0.000dB [F2]

Tr2 S21 Log Mag 10.00dB/ Ref 0.000dB [F2]



1 Center 450 MHz

IFBW 10 kHz

Span 100 MHz Cor !