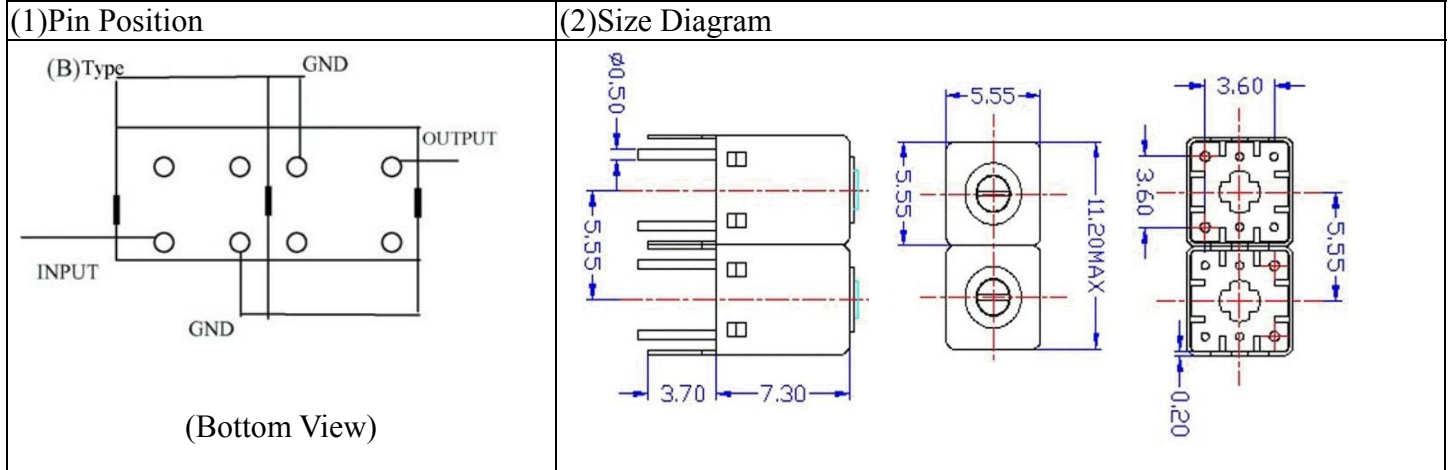


VHF UHF Helical Filter Specification Sheet

Customer Name		Temwell's Part No.	K2RB-475M-11M
Approval No. /dated	0907068CD	Temwell's print name.	K2RB 475M
Work Instruction No.	200907068CD	Date	Aug.19.2009



(3) Electric Characteristic

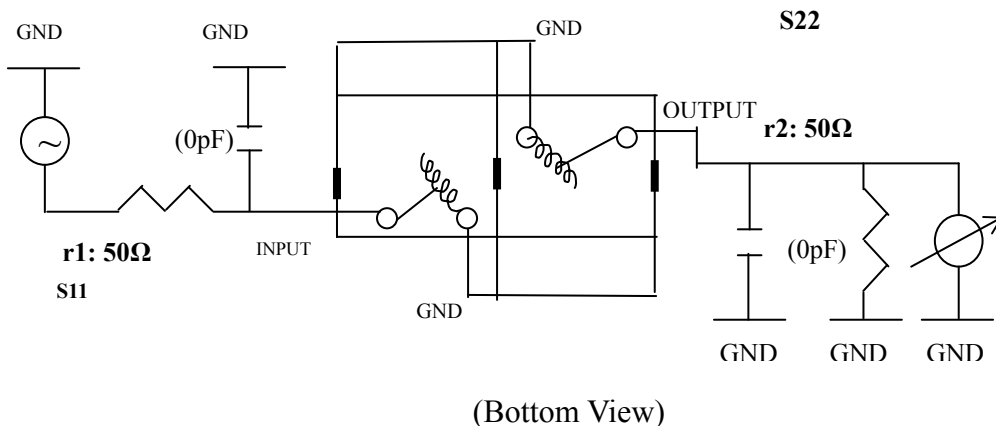
Item	Specify	Performance	
Center Freq.(Fo) +/- 0.5 %	475 MHz	475 MHz	
Insertion Loss	Typ. 3.5 dB	3.08 dB	
-3 dB Bandwidth	Typ. 11 MHz	14.7 MHz	
Sensitivity (Attenuation)	Fo - 50 MHz	Typ. 22 dBc	35 dBc
	Fo + 50 MHz	Typ. 25 dBc	27 dBc
	Fo - ()MHz	Typ. dBc	dBc
	Fo +()MHz	Typ. dBc	dBc
Return Loss	Min. 12 dB	21.3 dB	
Ripple	< 1 dB	dB	
Impedance	In / Out : 50 Ω	In / Out : 50 Ω	
(4) Torque for Tuning Screw	> 60gf • cm		

(5) Temperature Condition:

Operating Temperature	0°C ~ +60°C
Storage Temperature	-20°C ~ +70°C

(6) Input Power >0.5Watt

(7) Measuring Circuit: ※Easy to match Impedance 50Ω by parallel with about () pF.



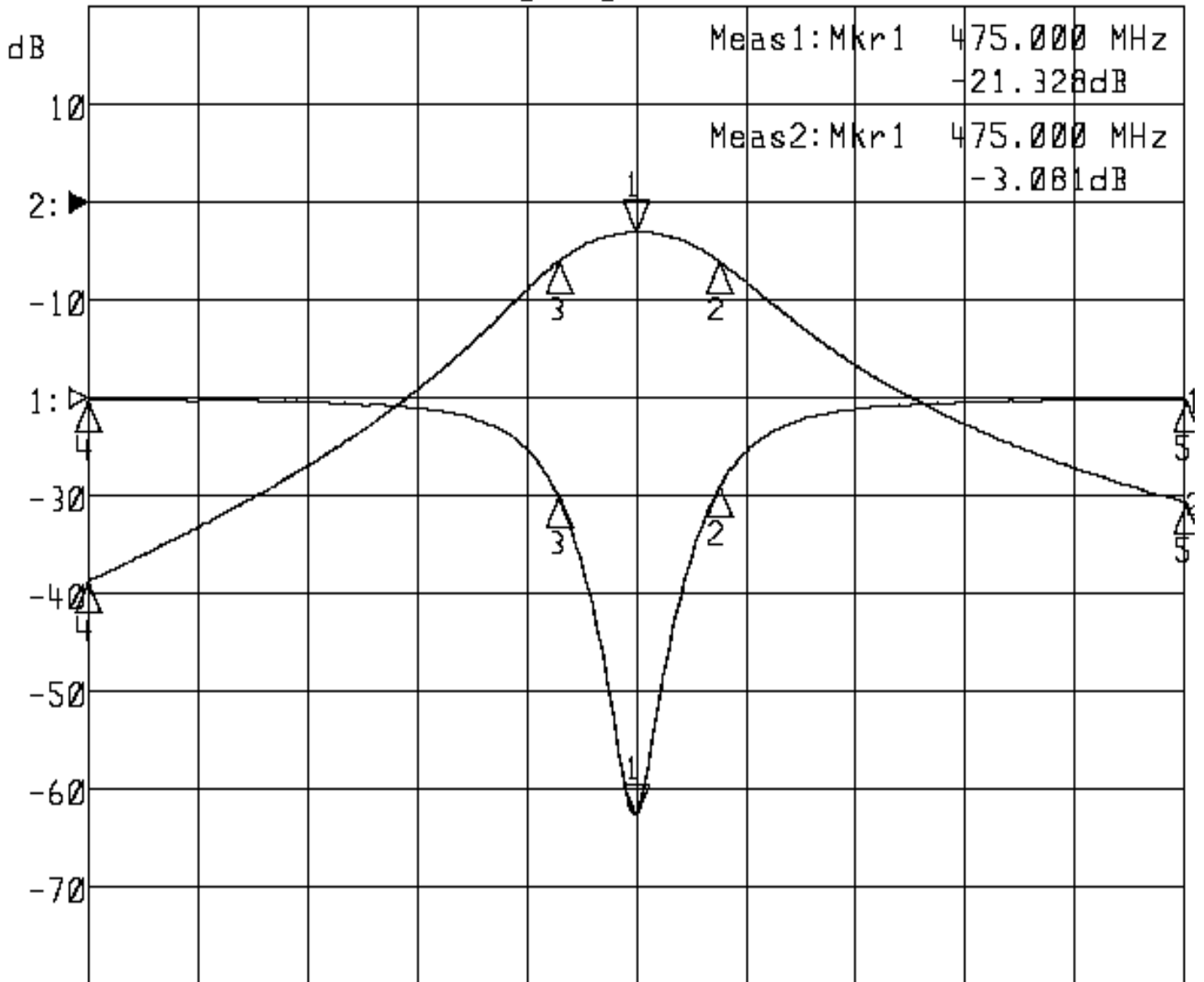
Approval C.Y.Chang	Supervisor C.K.Chang	Designer J.F.Lin	Aperture size 5R2S(3.8*3.7)(3.71) 5W024RB3
-----------------------	-------------------------	---------------------	--

TEMWELL CORPORATION

Performance-K2RB-475M-11M

200907068CD

▶1: S11 Refl Port1 Log Mag 5.0 dB/ Ref 0.00 dB C
 ▶2: S21 Fwd Trans Log Mag 10.0 dB/ Ref 0.00 dB C



Center 475.000 MHz

Span 100.000 MHz

1: Mkr (MHz)	dB	2: Mkr (MHz)	dB
1> 475.0000	-21.328	1> 475.0000	-3.081
2: 482.6333	-4.562	2: 482.6333	-6.068
3: 467.9333	-5.035	3: 467.9333	-6.041
4: 425.0000	-0.128	4: 425.0000	-38.792
5: 525.0000	-0.087	5: 525.0000	-30.674