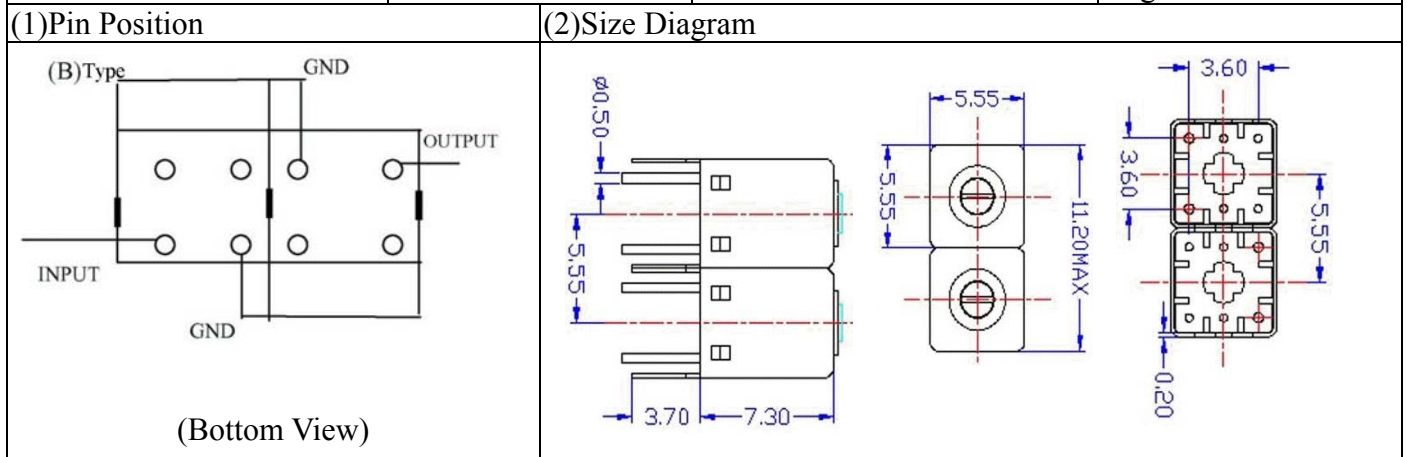


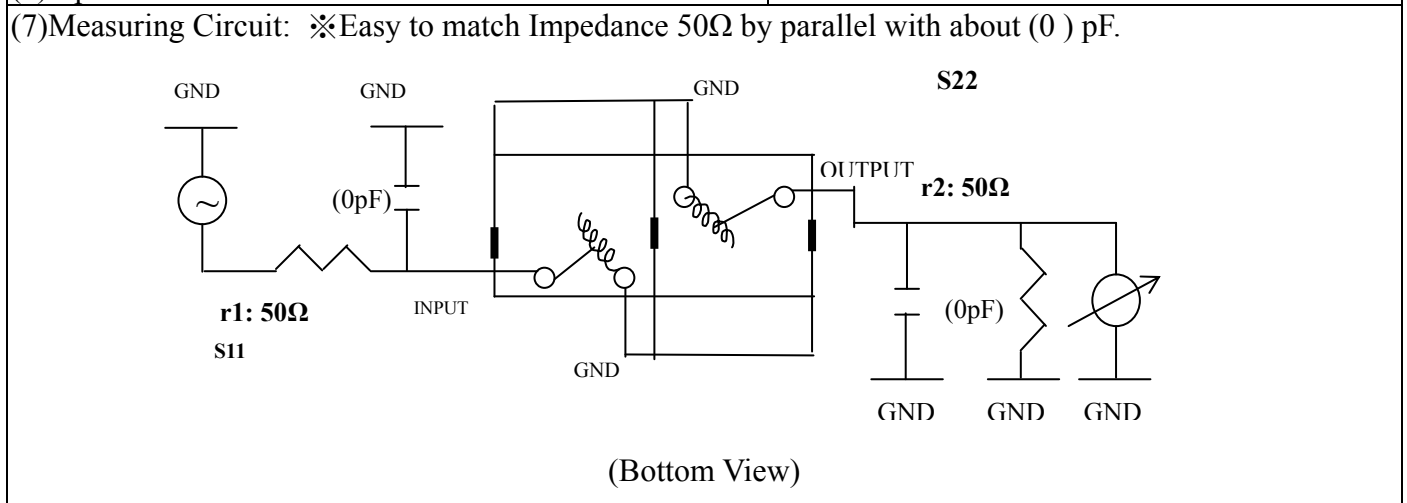
VHF UHF Helical Filter Specification Sheet

Customer Name		Temwell's Part No.	K2RB-505M-14M
Approval No. /dated	0907069CD	Temwell's print name.	K2RB 505M
Work Instruction No.	200907069CD	Date	Aug.20.2009



(3) Electric Characteristic			
Item		Specify	Performance
Center Freq.(Fo) +/- 0.5 %		505 MHz	505 MHz
Insertion Loss		Typ. 3.5 dB	2.71 dB
-3 dB Bandwidth		Typ. 14 MHz	16.6 MHz
Sensitivity (Attenuation)	Fo - 50 MHz	Typ. 20 dBc	27 dBc
	Fo + 50 MHz	Typ. 25 dBc	36 dBc
	Fo - ()MHz	Typ. dBc	dBc
	Fo + ()MHz	Typ. dBc	dBc
Return Loss		Min. 12 dB	20.9 dB
Ripple		< 1 dB	dB
Impedance		In / Out : 50 Ω	In / Out : 50 Ω

(4) Torque for Tuning Screw		> 60gf • cm
(5) Temperature Condition:		
Operating Temperature	0°C ~ +60°C	
Storage Temperature	-20°C ~ +70°C	
(6) Input Power	>0.5Watt	

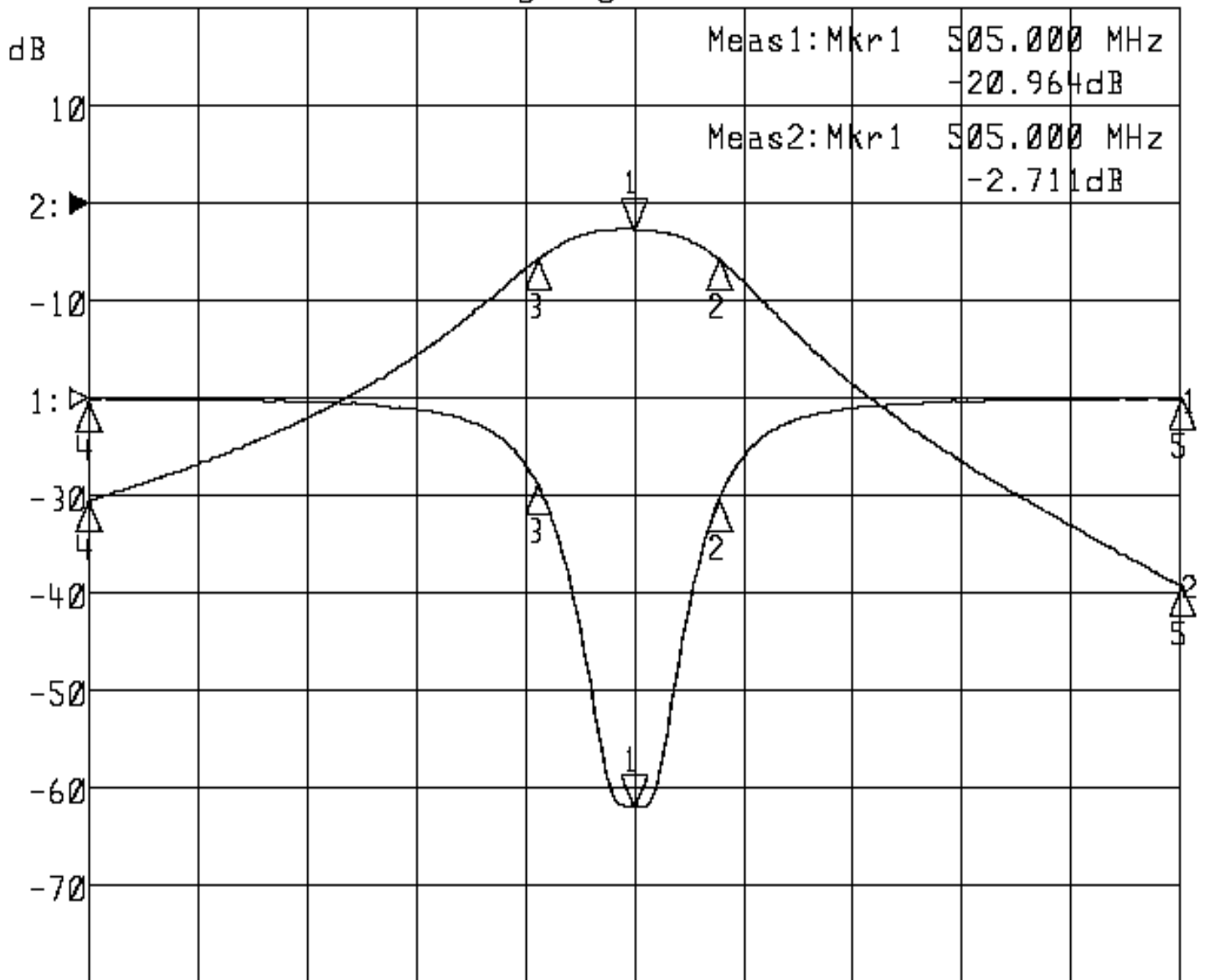


Approval C.Y.Chang	Supervisor C.K.Chang	Designer J.F.Lin	Aperture size 5R2S(3.8*3.7)(3.73) 5HW024RB3
TEMWELL CORPORATION			

Performance-K2RB-505M-14M

200907069CD

►1:S11 Refl Port1 Log Mag 5.0 dB/ Ref 0.00 dB C
►2:S21 Fwd Trans Log Mag 10.0 dB/ Ref 0.00 dB C



Center 505.000 MHz

Span 100.000 MHz

1:Mkr (MHz)	dB	2:Mkr (MHz)	dB
1> 505.0000	-20.964	1> 505.0000	-2.711
2: 512.7667	-5.231	2: 512.7667	-5.743
3: 496.1667	-4.432	3: 496.1667	-5.729
4: 455.0000	-0.078	4: 455.0000	-30.598
5: 555.0000	-0.047	5: 555.0000	-39.306