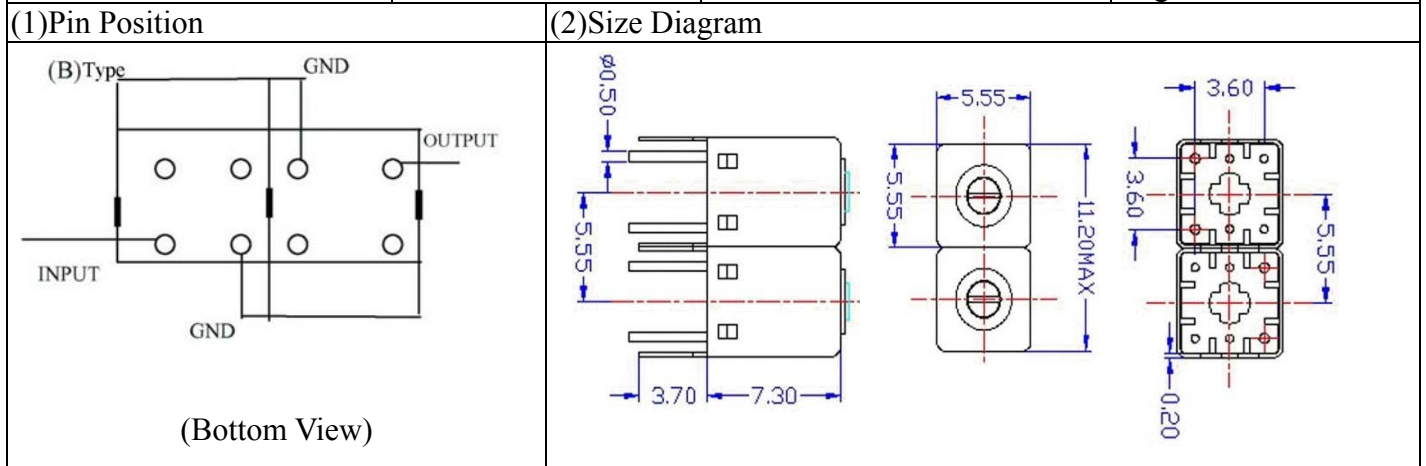


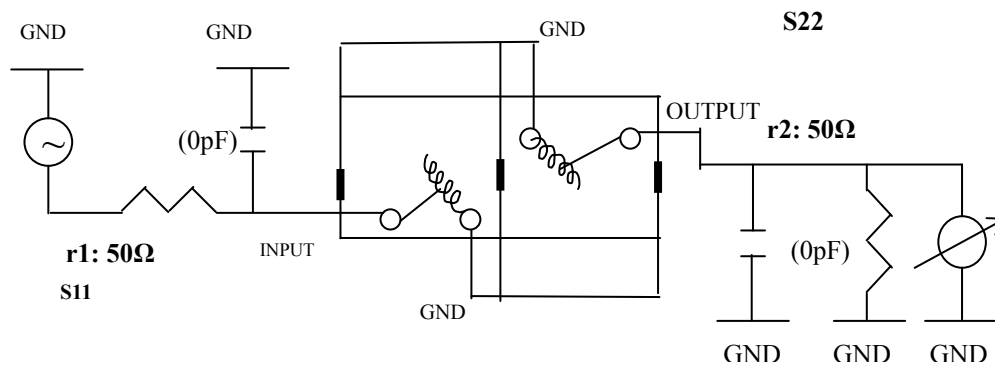
VHF UHF Helical Filter Specification Sheet

Customer Name		Temwell's Part No.	K2RB-530M-14M
Approval No. /dated	0907070CD	Temwell's print name.	K2RB 530M
Work Instruction No.	200907070CD	Date	Aug.24.2009



(3) Electric Characteristic			
Item		Specify	Performance
Center Freq.(Fo) +/- 0.5 %		530 MHz	530 MHz
Insertion Loss		Typ. 3.5 dB	2.64 dB
-3 dB Bandwidth		Typ. 14 MHz	16.8 MHz
Sensitivity (Attenuation)	Fo - 50 MHz	Typ. 20 dBc	25 dBc
	Fo + 50 MHz	Typ. 24 dBc	32 dBc
	Fo - ()MHz	Typ. dBc	dBc
	Fo +()MHz	Typ. dBc	dBc
Return Loss		Min. 12 dB	25.8 dB
Ripple		< 1 dB	dB
Impedance		In / Out : 50 Ω	In / Out : 50 Ω
(4) Torque for Tuning Screw		> 60gf • cm	
(5) Temperature Condition:			
Operating Temperature		0°C ~ +60°C	
Storage Temperature		-20°C ~ +70°C	
(6) Input Power		> 0.5Watt	

(7) Measuring Circuit: ※ Easy to match Impedance 50Ω by parallel with about (0) pF.



(Bottom View)

Approval C.Y.Chang	Supervisor C.K.Chang	Designer J.F.Lin	Aperture size 5R2S(3.8*3.7)(3.73) 5HW024LB3
-----------------------	-------------------------	---------------------	---

TEMWELL CORPORATION

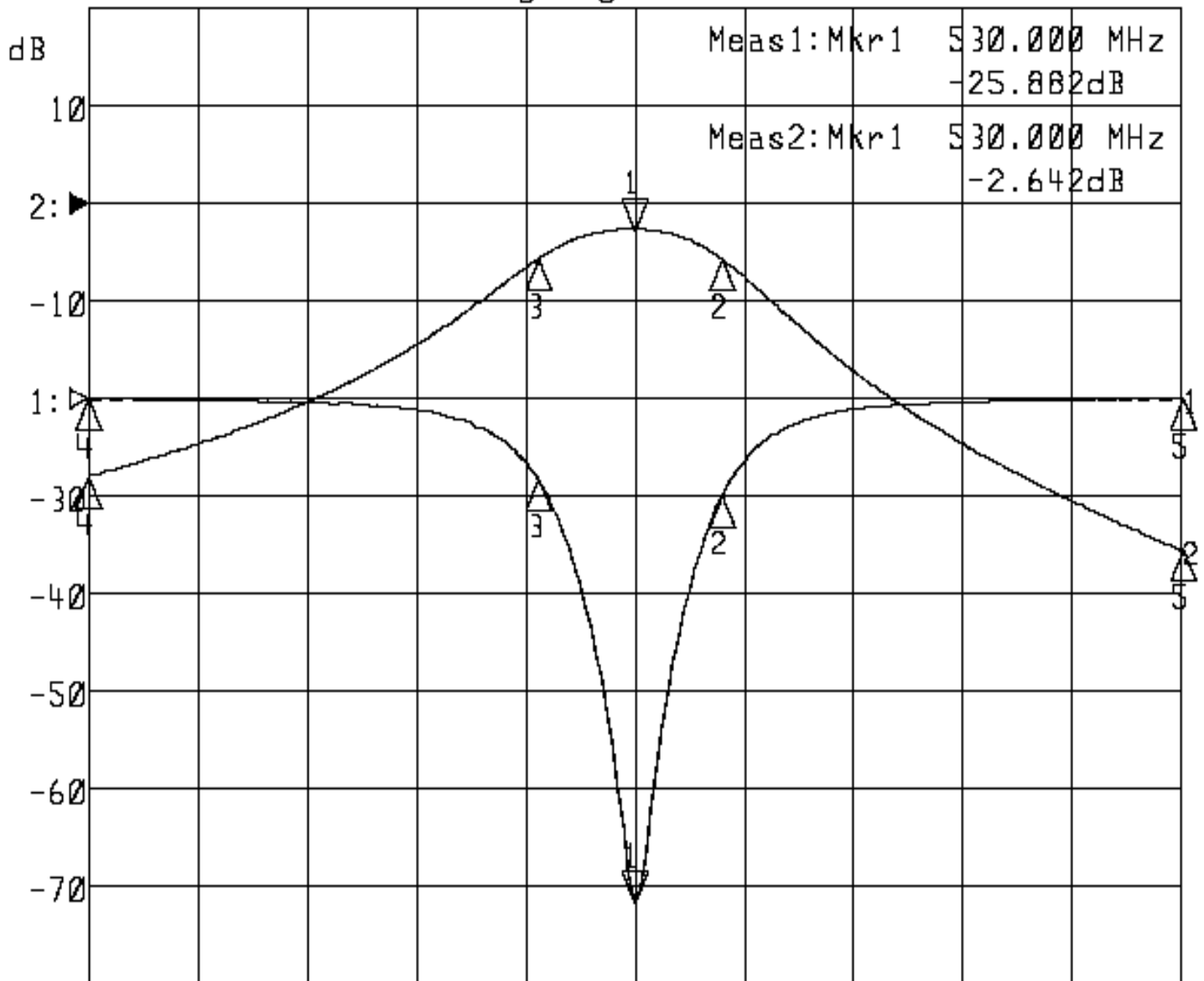
TEMWELL

Form10-5R2B Vision D RP(J.F.Lin)

Performance-K2RB-530M-14M

200907070CD

►1:S11 Refl Port1 Log Mag 5.0 dB/ Ref 0.00 dB C
►2:S21 Fwd Trans Log Mag 10.0 dB/ Ref 0.00 dB C



Center 530.000 MHz

Span 100.000 MHz

1:Mkr (MHz)	dB	2:Mkr (MHz)	dB
1> 530.0000	-25.882	1> 530.0000	-2.642
2: 538.0000	-4.968	2: 538.0000	-5.671
3: 521.2000	-4.174	3: 521.2000	-5.639
4: 480.0000	-0.014	4: 480.0000	-27.918
5: 580.0000	-0.012	5: 580.0000	-35.564