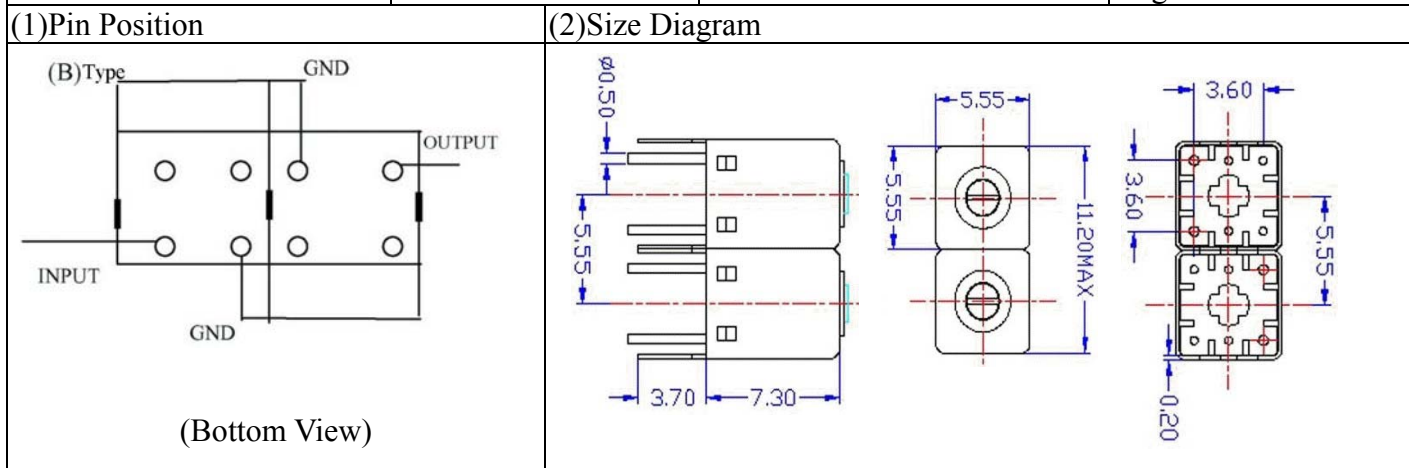


VHF UHF Helical Filter Specification Sheet

Customer Name		Temwell's Part No.	K2RB-545M-14M
Approval No. /dated	0907071CD	Temwell's print name.	K2RB 545M
Work Instruction No.	200907071CD	Date	Aug.25.2009



(3) Electric Characteristic

Item	Specify	Performance
Center Freq.(Fo) +/- 0.5 %	545 MHz	545 MHz
Insertion Loss	Typ. 3.5 dB	2.65 dB
-3 dB Bandwidth	Typ. 14 MHz	17.4 MHz
Sensitivity (Attenuation)	Fo - 50 MHz	Typ. 20 dBc
	Fo + 50 MHz	Typ. 24 dBc
	Fo - ()MHz	Typ. dBc
	Fo + ()MHz	Typ. dBc
Return Loss	Min. 12 dB	24.4 dB
Ripple	< 1 dB	dB
Impedance	In / Out : 50 Ω	In / Out : 50 Ω
(4) Torque for Tuning Screw	> 60gf · cm	

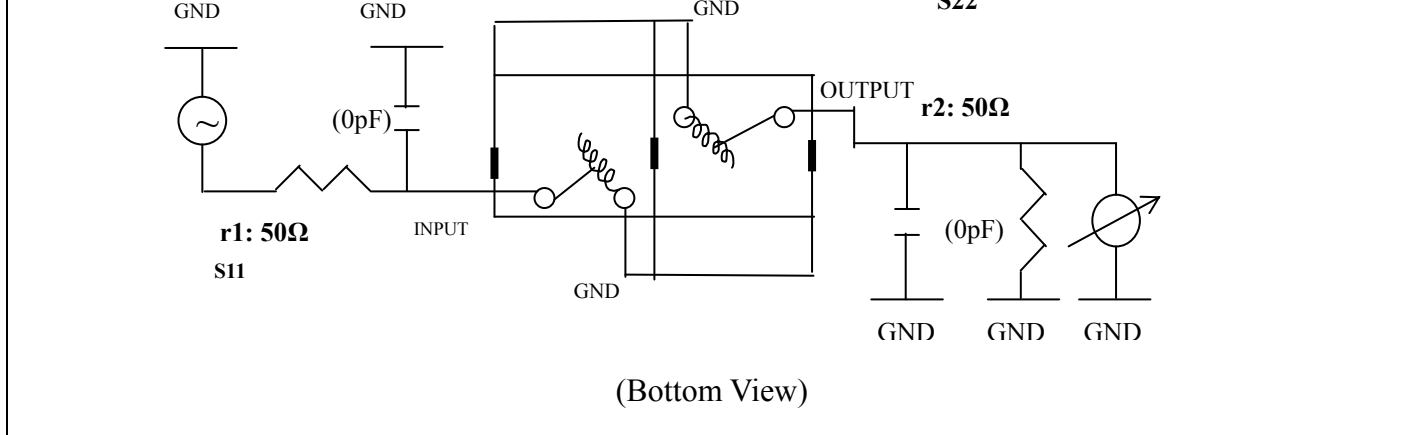
(5) Temperature Condition:

Operating Temperature	0°C ~ +60°C
Storage Temperature	-20°C ~ +70°C

(6) Input Power

>0.5Watt

(7) Measuring Circuit: ※Easy to match Impedance 50Ω by parallel with about (0) pF.

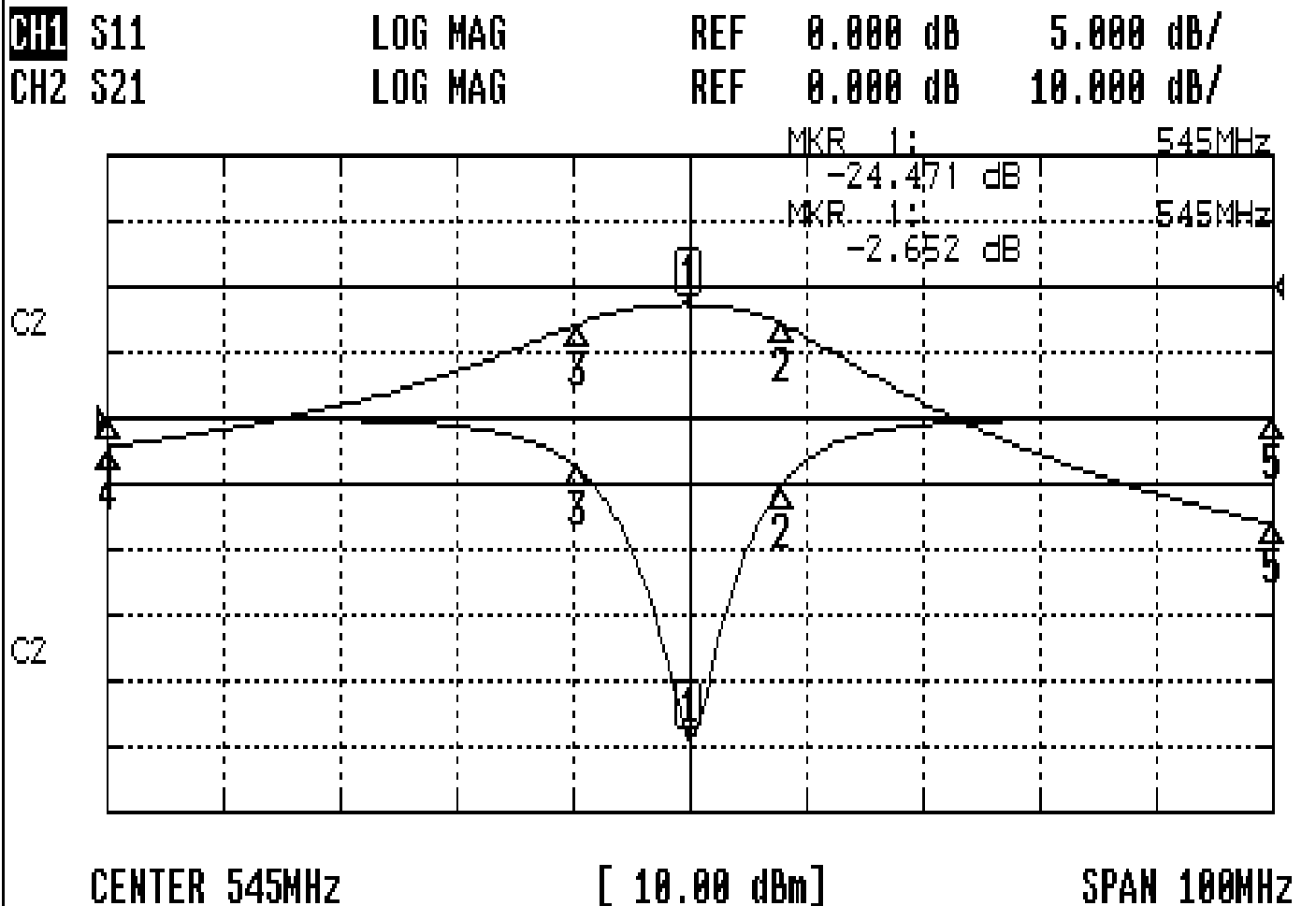


Approval	Supervisor	Designer	Aperture size
C.Y.Chang	C.K.Chang	W.W.Wang	5R2S(3.8*3.7)(3.74) 5HW024LB3

TEMWELL CORPORATION

Performance-K2RB-545M-14M

200907071CD



CH1 MARKER LIST

1:	545.000MHz	-24.471 dB
2:	552.833MHz	-15.273 dB
3:	535.416MHz	-3.833 dB
4:	495.000MHz	0.085 dB
5:	595.000MHz	0.141 dB
6:		
7:		
8:		
9:		
10:		

CH2 MARKER LIST

1:	545.000MHz	-2.651 dB
2:	552.833MHz	-15.625 dB
3:	535.416MHz	-15.648 dB
4:	495.000MHz	-24.417 dB
5:	595.000MHz	-36.060 dB
6:		
7:		
8:		
9:		
10:		