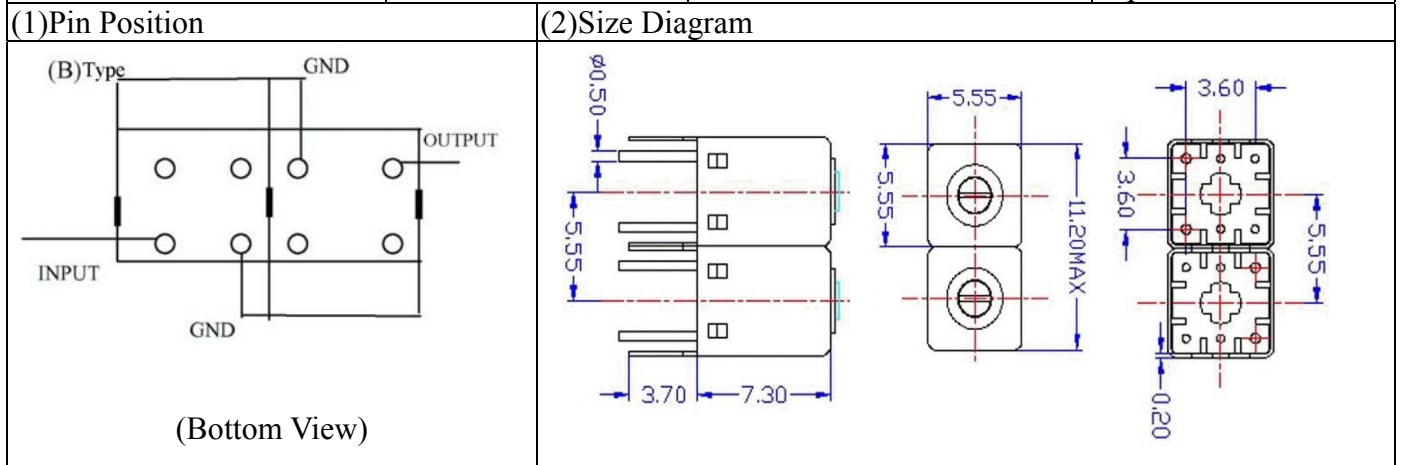


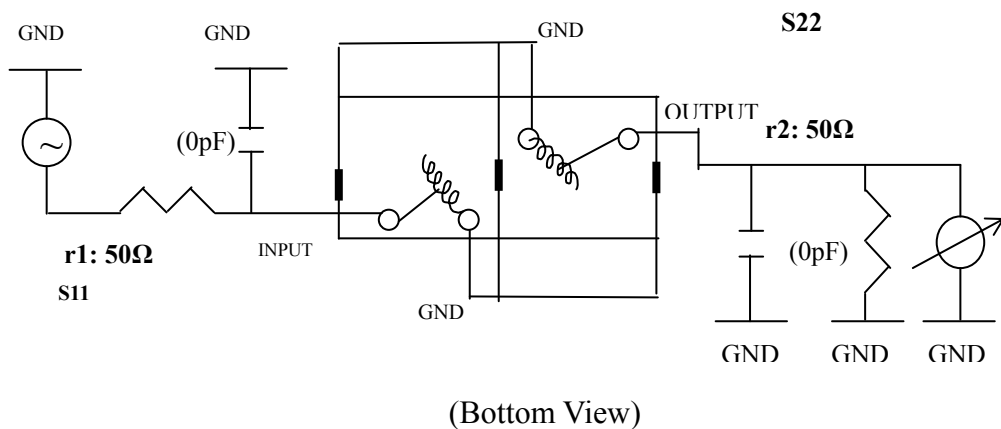
VHF UHF Helical Filter Specification Sheet

Customer Name		Temwell's Part No.	K2RB-700M-20M
Approval No. /dated	0907074CD	Temwell's print name.	K2RB 700M
Work Instruction No.	200907074CD	Date	Sep.11.2009



(3) Electric Characteristic		Specify	Performance
Center Freq.(Fo) +/- 0.5 %		700 MHz	700 MHz
Insertion Loss		Typ. 3.0 dB	2.30 dB
-3 dB Bandwidth		Typ. 20 MHz	21.5 MHz
Sensitivity (Attenuation)	Fo - 100 MHz	Typ. 50 dBc	69 dBc
	Fo + 100 MHz	Typ. 30 dBc	38 dBc
	Fo - ()MHz	Typ. dBc	dBc
	Fo +()MHz	Typ. dBc	dBc
Return Loss		Min. 12 dB	20.8 dB
Ripple		< 1 dB	dB
Impedance		In / Out : 50 Ω	In / Out : 50 Ω
(4) Torque for Tuning Screw		> 60gf • cm	
(5) Temperature Condition:			
Operating Temperature		0°C ~ +60°C	
Storage Temperature		-20°C ~ +70°C	
(6) Input Power		> 0.5Watt	

(7) Measuring Circuit: ※ Easy to match Impedance S11/S22 50Ω by parallel with about (0) pF.

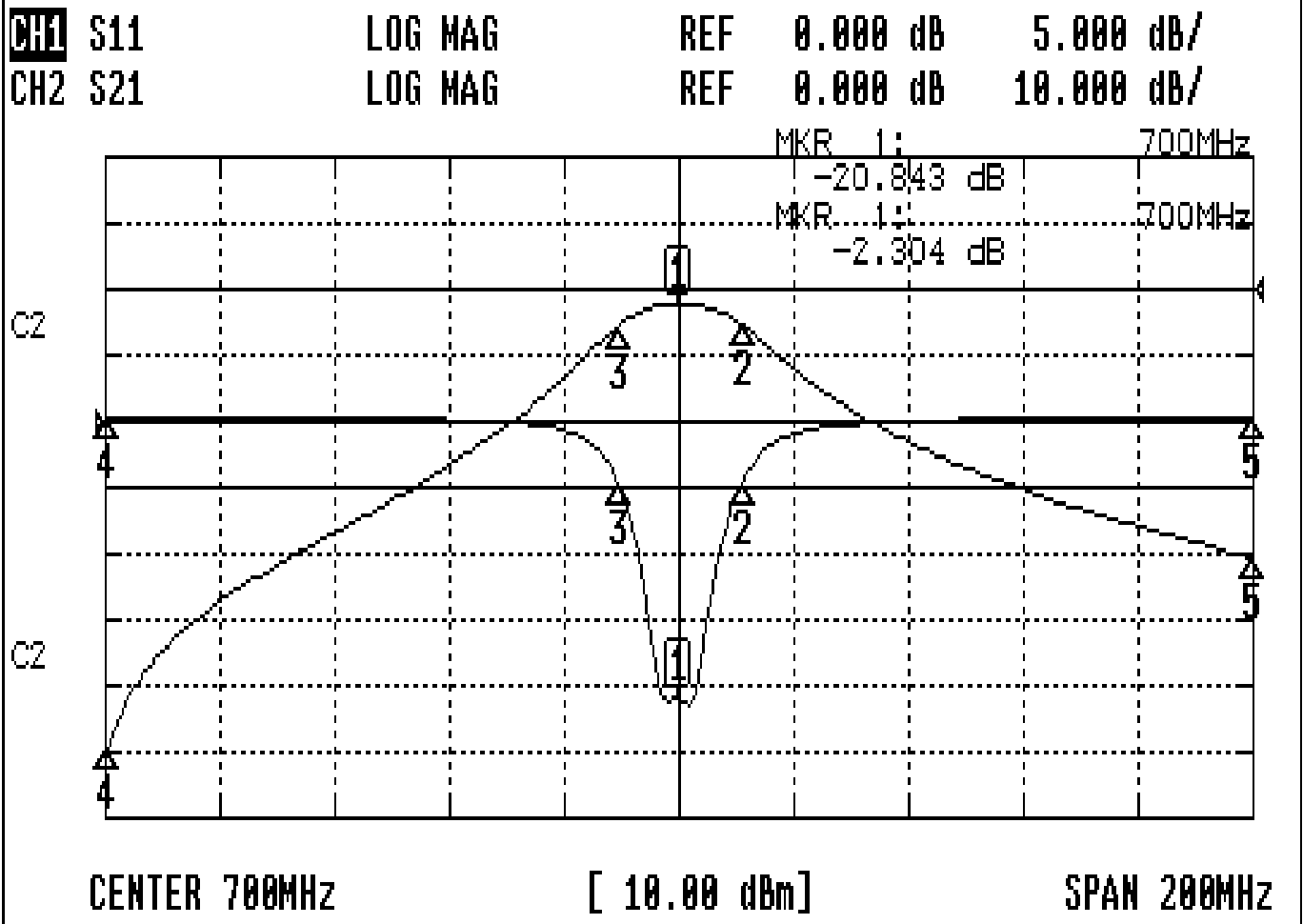


Approval C.Y.Chang	Supervisor C.K.Chang	Designer C.H.Yeh	Aperture size 5R2S(3.8*3.7)(3.70) 5HW024RB3
-----------------------	-------------------------	---------------------	---

TEMWELL CORPORATION

Performance-K2RB-700M-20M

200907074CD



CH1 MARKER LIST

1:	700.000MHz	-20.843	dB
2:	711.000MHz	-4.589	dB
3:	689.500MHz	-4.647	dB
4:	600.000MHz	0.210	dB
5:	800.000MHz	0.332	dB

CH2 MARKER LIST

1:	700.000MHz	-2.305	dB
2:	711.000MHz	-1.571	dB
3:	689.500MHz	-1.569	dB
4:	600.000MHz	-71.664	dB
5:	800.000MHz	-40.718	dB