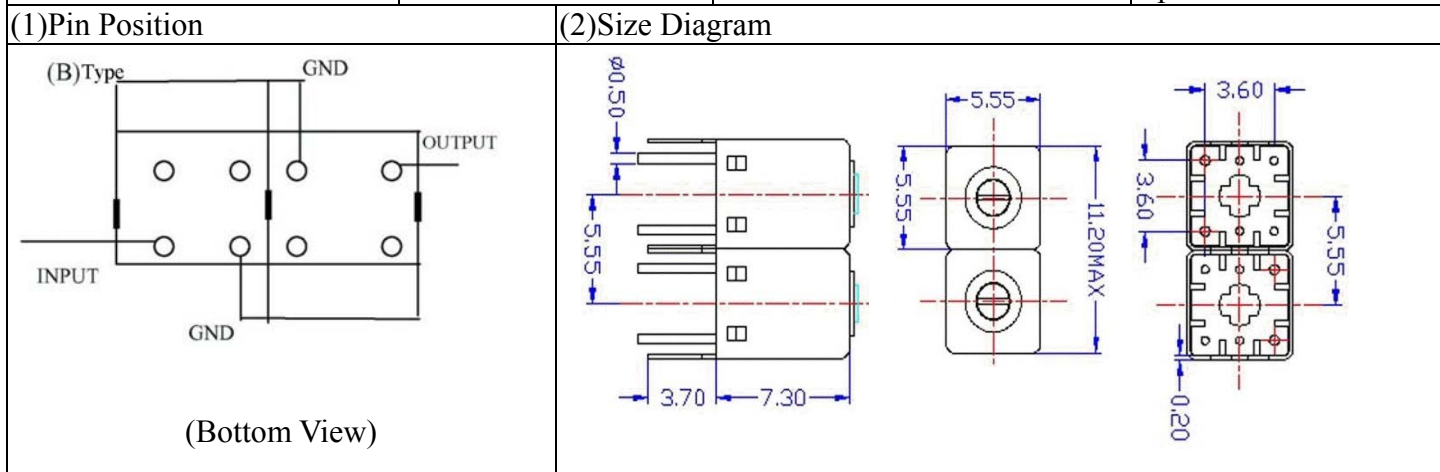


VHF UHF Helical Filter Specification Sheet

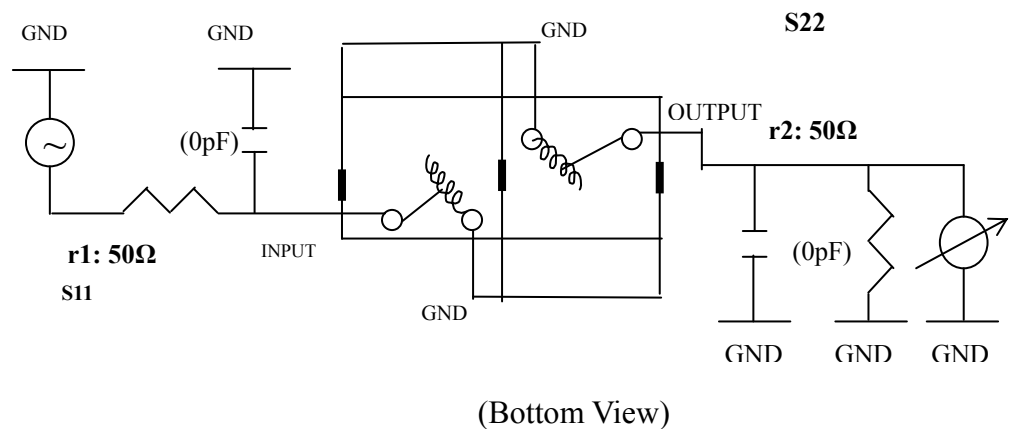
Customer Name		Temwell's Part No.	K2RB-735M-20M
Approval No. /dated	1002103CD	Temwell's print name.	K2RB 735M
Work Instruction No.	201002103CD	Date	Apr.08.2010



(3) Electric Characteristic			
Item	Specify		Performance
Center Freq.(Fo) +/- 0.5 %	735	MHz	735 MHz
Insertion Loss	Typ. 3.0	dB	2.20 dB
-3 dB Bandwidth	Typ. 20	MHz	24.1 MHz
Sensitivity (Attenuation)	Fo - 100 MHz	Typ. 40 dBc	48 dBc
	Fo + 100 MHz	Typ. 30 dBc	35 dBc
	Fo - ()MHz	Typ. dBc	dBc
	Fo +()MHz	Typ. dBc	dBc
Return Loss	Min. 12	dB	33.0 dB
Ripple	< 1	dB	dB
Impedance	In / Out : 50 Ω		In / Out : 50 Ω
(4) Torque for Tuning Screw	> 60gf · cm		

(5) Temperature Condition:	
Operating Temperature	0°C ~ +60°C
Storage Temperature	-20°C ~ +70°C
(6) Input Power	> 0.5Watt

(7) Measuring Circuit: ※Easy to match Impedance 50Ω by parallel with about (0) pF.



Approval	Supervisor	Designer	Aperture size
C.Y.Chang	C.K.Chang	C.S.Chang	5R2(3.8*3.7)(3.72) 5HW024RB3

Performance-K2RB-735M-20M

201002103CD

Tr1 S11 Log Mag 5.000dB/ Ref 0.000dB [F2]
Tr2 S21 Log Mag 10.00dB/ Ref 0.000dB [F2]

