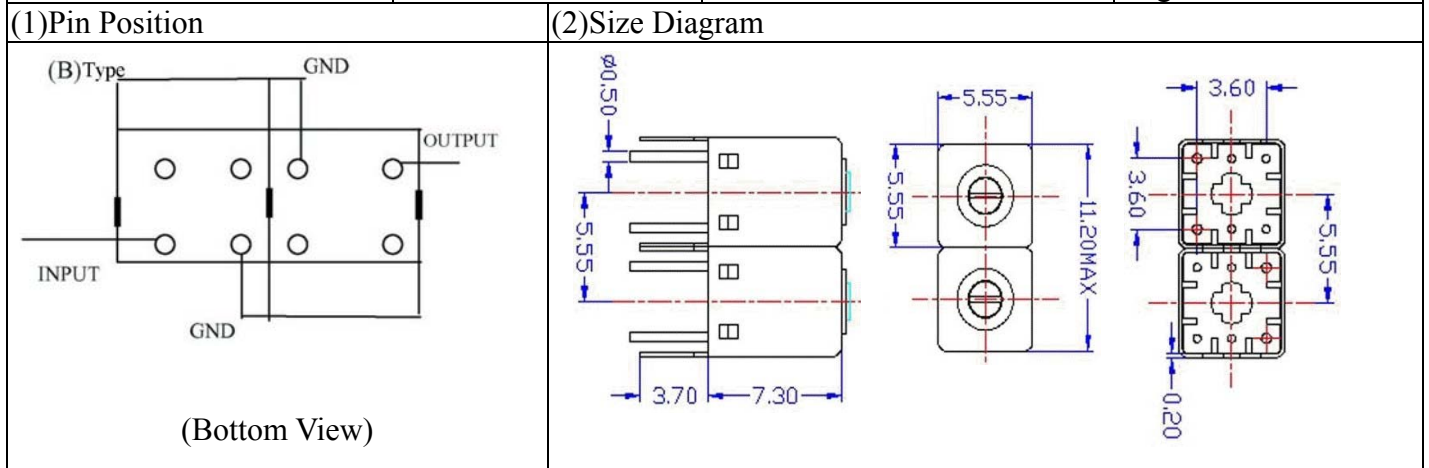


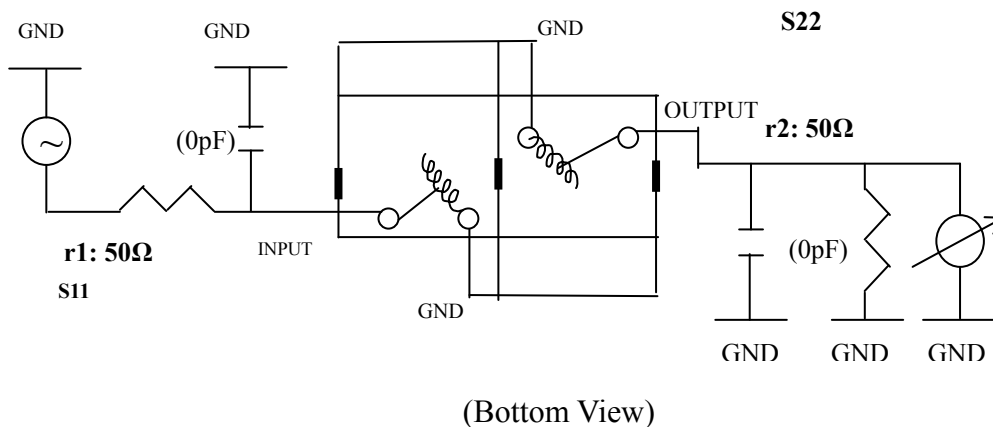
VHF UHF Helical Filter Specification Sheet

Customer Name		Temwell's Part No.	K2RB-880M-20M
Approval No. /dated	0907077CD	Temwell's print name.	K2RB 880M
Work Instruction No.	200907077CD	Date	Aug.25.2009



(3) Electric Characteristic					
Item		Specify		Performance	
Center Freq.(Fo) +/- 0.5 %		880 MHz		880 MHz	
Insertion Loss		Typ. 3.5 dB		2.33 dB	
-3 dB Bandwidth		Typ. 20 MHz		25.1 MHz	
Sensitivity (Attenuation)	Fo - 100 MHz	Typ. 36 dBc		38 dBc	
	Fo + 100 MHz	Typ. 27 dBc		29 dBc	
	Fo - ()MHz	Typ. dBc		dBc	
	Fo +()MHz	Typ. dBc		dBc	
Return Loss		Min. 12 dB		35.7 dB	
Ripple		< 1 dB		dB	
Impedance		In / Out : 50 Ω		In / Out : 50 Ω	
(4) Torque for Tuning Screw		> 60gf • cm			
(5) Temperature Condition:					
Operating Temperature		0°C ~ +60°C			
Storage Temperature		-20°C ~ +70°C			
(6) Input Power		> 0.5 Watt			

(7) Measuring Circuit: ※Easy to match Impedance 50Ω by parallel with about (0) pF.



Approval	Supervisor	Designer	Aperture size
C.Y.Chang	C.K.Chang	W.W.Wang	5R2S(3.8*3.7)(3.74) 5HW024RB3

TEMWELL CORPORATION

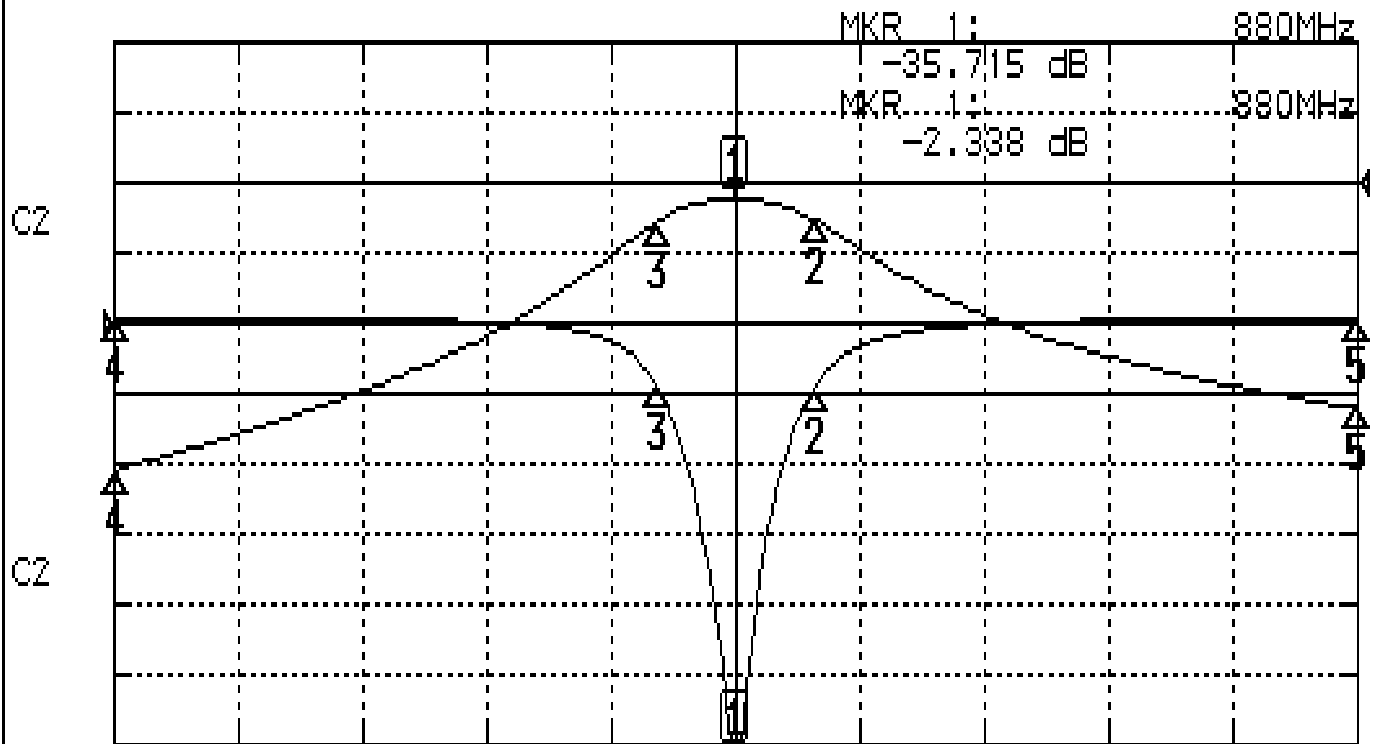
TEMWELL

Form10-5R2B Vision D RP(w.w.w)

Performance-K2RB-880M-20M

200907077CD

CH1 S11 LOG MAG REF 0.000 dB 5.000 dB/
CH2 S21 LOG MAG REF 0.000 dB 10.000 dB/



CENTER 880MHz

[10.00 dBm]

SPAN 200MHz

CH1 MARKER LIST

1:	880.000MHz	-35.715	dB
2:	892.666MHz	-4.731	dB
3:	867.500MHz	-4.519	dB
4:	780.000MHz	0.237	dB
5:	980.000MHz	0.331	dB
6:			
7:			
8:			
9:			
10:			

CH2 MARKER LIST

1:	880.000MHz	-2.338	dB
2:	892.666MHz	-4.731	dB
3:	867.500MHz	-4.519	dB
4:	780.000MHz	-40.929	dB
5:	980.000MHz	-32.070	dB
6:			
7:			
8:			
9:			
10:			