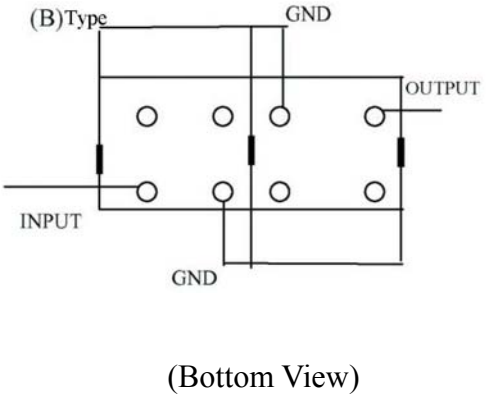
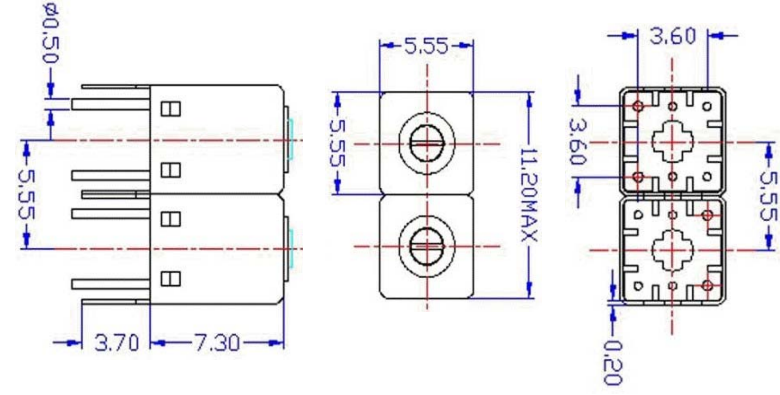
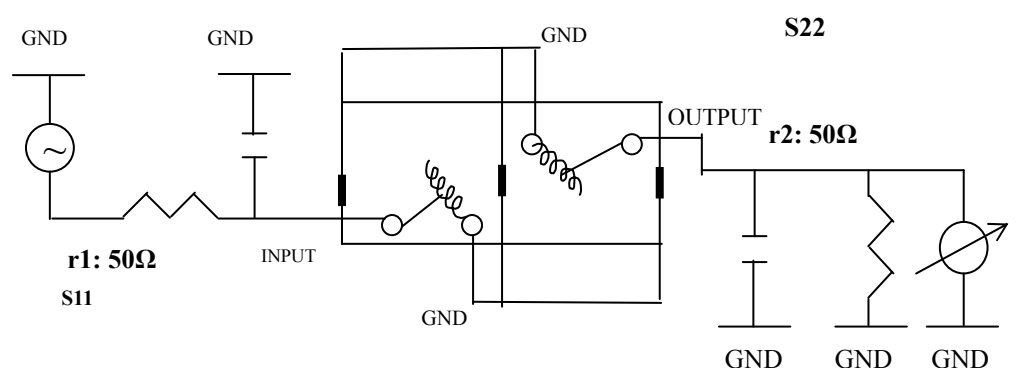


# VHF UHF Helical Filter Specification Sheet

Customer Name		Temwell's Part No.	K2RB-914M-25M
Approval No. /dated	201107040CD	Temwell's print name.	K2RB 914M
Work Instruction No.	201107040CD	Date	Jun.28.2011

(1)Pin Position	(2)Size Diagram
 <p>(Bottom View)</p>	

(3)Electric Charasteric					
Item		Specify		Performance	
Center Freq.(Fo ) +/- 0.5 %		914 MHz		914 MHz	
Insertion Loss		Typ. 3.0 dB		2.61 dB	
-3 dB Bandwidth		Typ. 25 MHz		32.4 MHz	
Sensitivity (Attenuation)	Fo - 100 MHz	Typ. 30 dBc		33 dBc	
	Fo +100 MHz	Typ. 23 dBc		28 dBc	
	Fo - ( )MHz	Typ. dBc		dBc	
	Fo +( )MHz	Typ. dBc		dBc	
Return Loss		Min. 12 dB		28.2 dB	
Ripple		< 1 dB		dB	
Impedance		In / Out : 50 Ω		In / Out : 50 Ω	
(4)Torque for Tuning Screw		>60 gf · cm			
(5)Temperature Condition:					
Operating Temperature		0°C ~ +60°C			
Storage Temperature		-20°C ~ +70°C			
(6)Input Power		>0.5Watt			

(7)Measuring Circuit: ※Easy to match Impedance 50Ω by parallel with about ( )					
 <p>(Bottom View)</p>					

Approval	Supervisor	Designer	Aperture size
C.Y.Chang	C.K.Chang	P.H.Chiang	5R2S(3.8*3.7)(3.78) 5HW024RB3

TEMWELL CORPORATION

# Performance-K2RB-914M-25M

## 201107040CD

