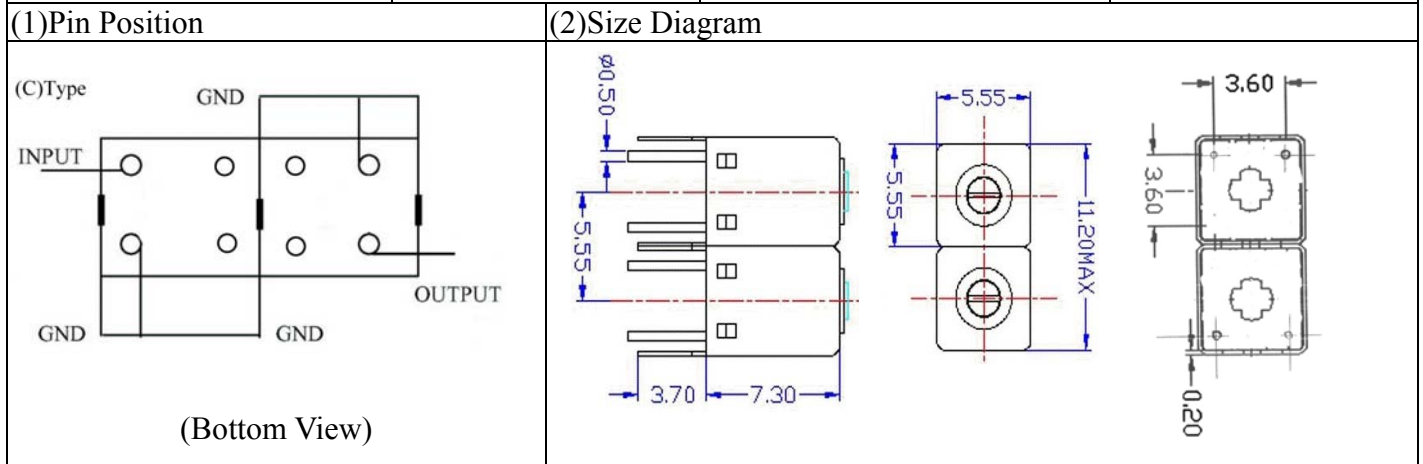


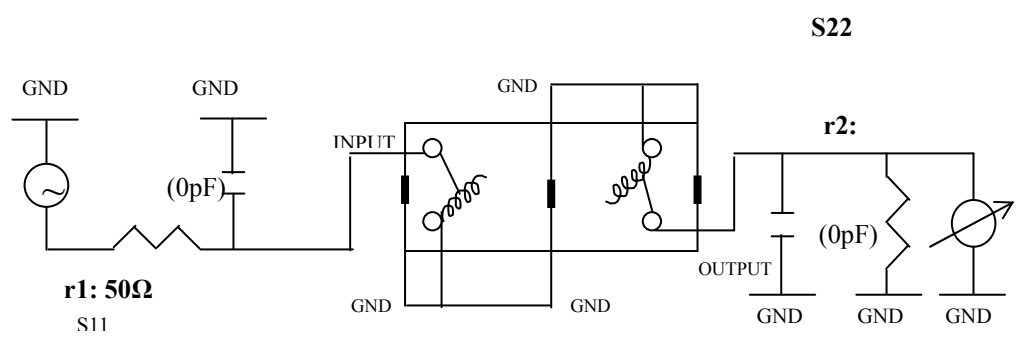
VHF UHF Helical Filter Specification Sheet

Customer Name		Temwell's Part No.	K2RC-1195M-35M
Approval No. /dated	1002072CD	Temwell's print name.	K2RC 1195M
Work Instruction No.	201002072CD	Date	Mar.27.2010



(3)Electric Chararistic					
Item		Specify		Performance	
Center Freq.(Fo) +/- 0.5 %		1195 MHz		1195 MHz	
Insertion Loss		Typ. 3.5 dB		1.97 dB	
-3dB Bandwidth		Typ. 35 MHz		40.8 MHz	
Sensitivity (Attenuation)	Fo -100 MHz	Typ. 20 dBc		26 dBc	
	Fo +100 MHz	Typ. 20 dBc		23 dBc	
	Fo - ()MHz	Typ. dBc		dBc	
	Fo +()MHz	Typ. dBc		dBc	
Return Loss		Min. 12 dB		38.4 dB	
Ripple		< 1 dB		dB	
Impedance		In / Out : 50 Ω		In / Out : 50 Ω	
(4)Torque for Tuning Screw		>60 gf • cm			
(5)Temperature Condition:					
Operating Temperature		0°C ~+60°C			
Storage Temperature		-20°C ~+70°C			
(6)Input Power		> 0.5Watt			

(7)Measuring Circuit: ※Easy to match Impedance 50Ω by parallel with about (0) pF.



(Bottom View)

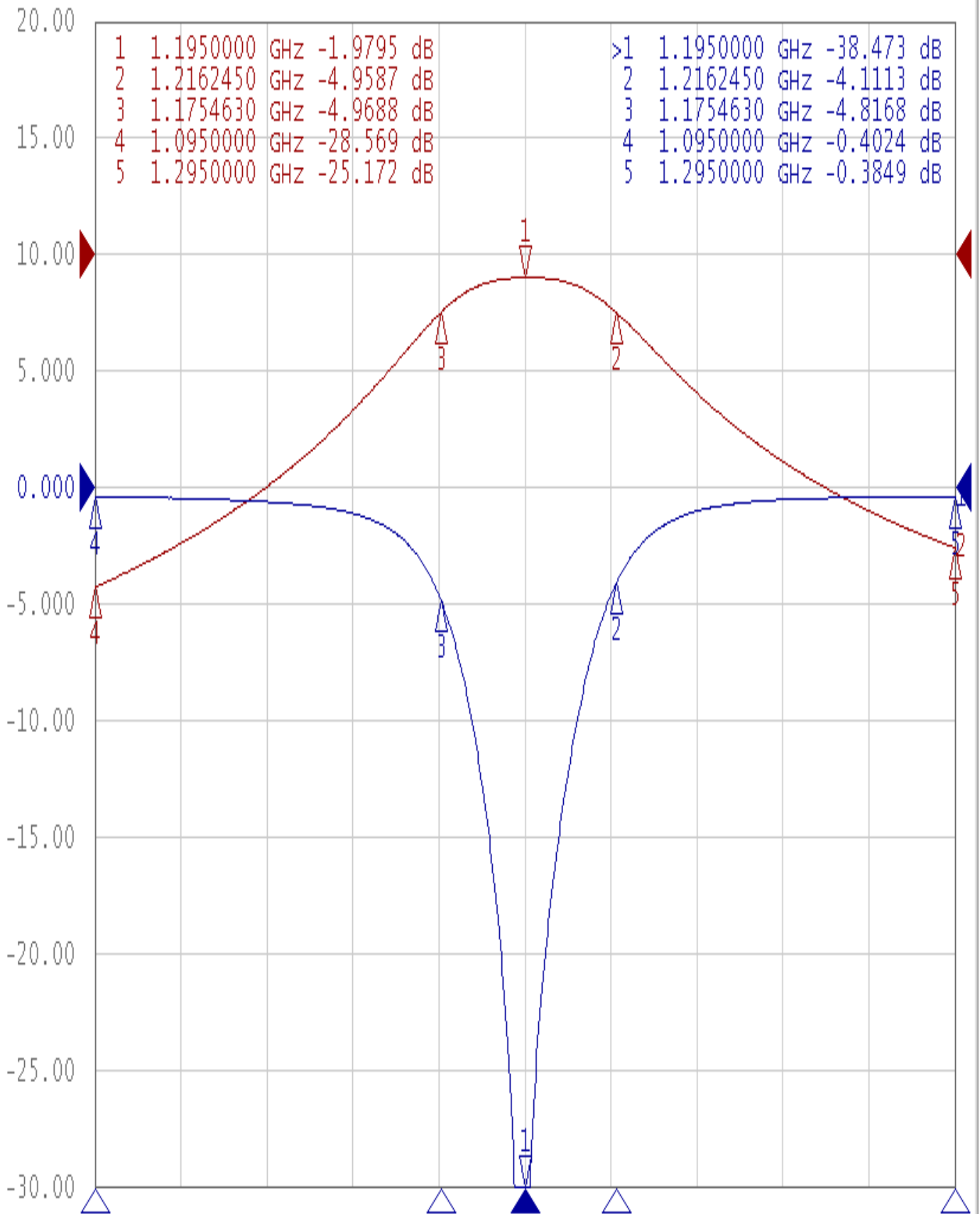
Approval C.Y.Chang	Supervisor C.K.Chang	Designer C.S.Chang	Aperture size 5R2(3.8*4.65)(4.72) 5HW024RB3
-----------------------	-------------------------	-----------------------	---

TEMWELL CORPORATION

Performance-K2RC-1195M-35M

201002072CD

▶ Tr1 S11 Log Mag 5.000dB/ Ref 0.000dB [F2]
Tr2 S21 Log Mag 10.00dB/ Ref 0.000dB [F2]



1 Center 1.195 GHz

IFBW 10 kHz

Span 200 MHz Cor !