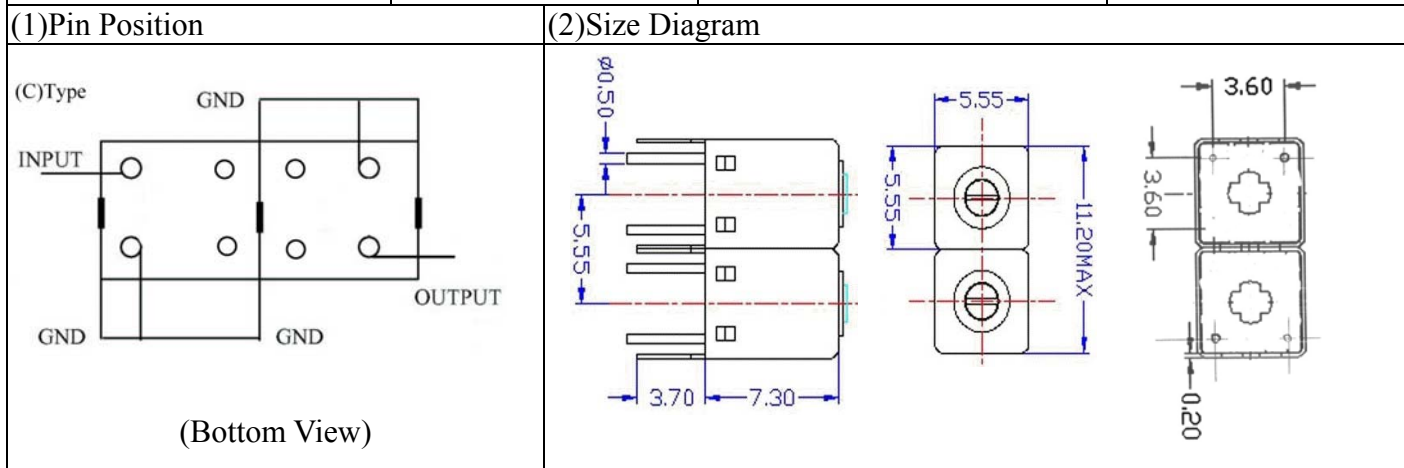


VHF UHF Helical Filter Specification Sheet

Customer Name		Temwell's Part No.	K2RC-1305M-35M
Approval No. /dated	1002074CD	Temwell's print name.	K2RC 1305M
Work Instruction No.	201002074CD	Date	Mar.31.2010



(3)Electric Charasteric

Item	Specify	Performance
Center Freq.(Fo) +/- 0.5 %	1305 MHz	1305 MHz
Insertion Loss	Typ. 3.0 dB	2.24 dB
-3dB Bandwidth	Typ. 35 MHz	46.5 MHz
Sensitivity (Attenuation)	Fo -100 MHz	Typ. 20 dBc
	Fo +100 MHz	Typ. 18 dBc
	Fo -()MHz	Typ. dBc
	Fo +()MHz	Typ. dBc
Return Loss	Min. 12 dB	24.3 dB
Ripple	< 1 dB	dB
Impedance	In / Out : 50 Ω	In / Out : 50 Ω

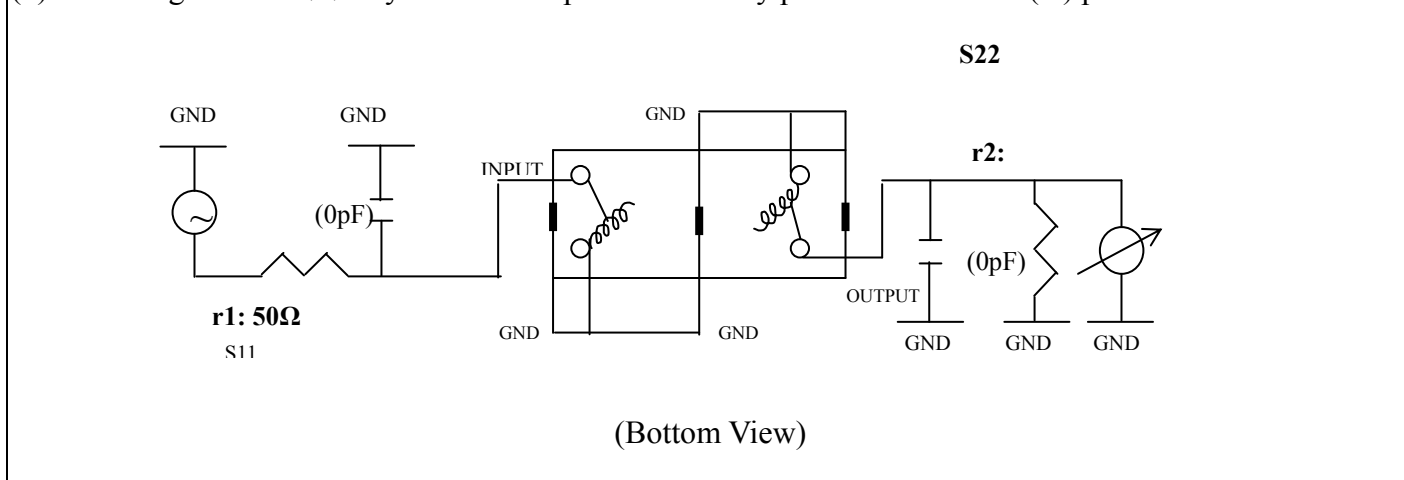
(4)Torque for Tuning Screw >60 gf · cm

(5)Temperature Condition:

Operating Temperature	0°C ~ +60°C
Storage Temperature	-20°C ~ +70°C

(6)Input Power > 0.5Watt

(7)Measuring Circuit: ※Easy to match Impedance 50Ω by parallel with about (0) pF.



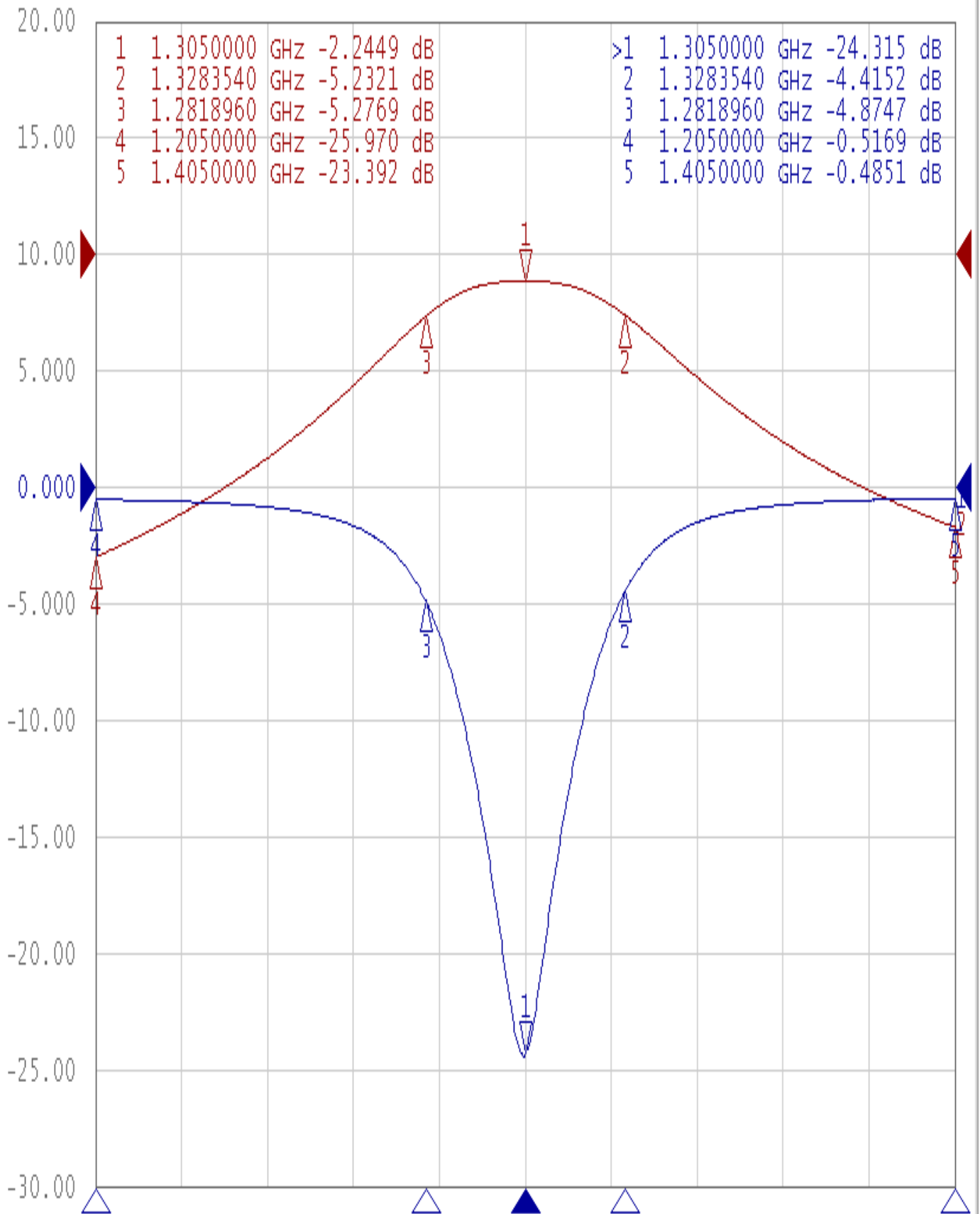
Approval	Supervisor	Designer	Aperture size
C.Y.Chang	C.K.Chang	C.S.Chang	5R2(3.8*4.2)(4.22) 5HW024RB3

TEMWELL CORPORATION

Performance-K2RC-1305M-35M

201002074CD

▶ Tr1 S11 Log Mag 5.000dB/ Ref 0.000dB [F2]
Tr2 S21 Log Mag 10.00dB/ Ref 0.000dB [F2]



1 Center 1.305 GHz

IFBW 10 kHz

Span 200 MHz Cor !