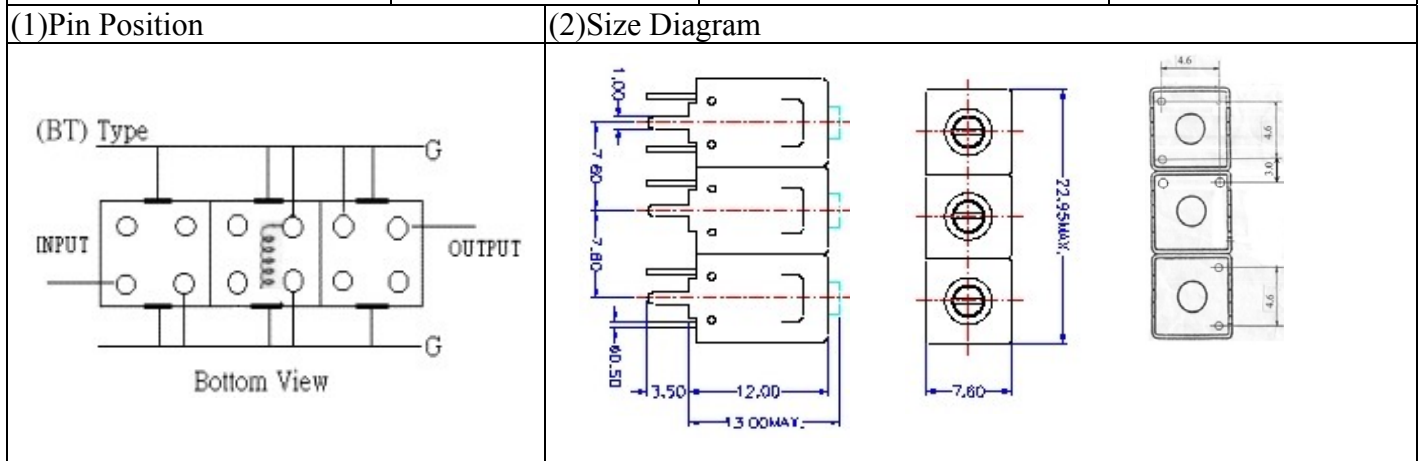


VHF UHF Helical Filter Specification Sheet

Customer Name		Temwell's Part No.	K3BT-370M-16M
Approval No. /dated	20402067DC	Customer's Part No.	
Work Instruction No.	20402067DC	Date	Feb.27.2004



(3) Electric Charasteric

Item	Specify	Performance	
Center Freq.(Fo) +/- 0.5 %	370 MHz	370 MHz	
Tunable Range: <input type="checkbox"/> Fo±5MHz <input type="checkbox"/> Fo±10MHz <input type="checkbox"/> Fo±15MHz	370±15 MHz	370±15 MHz	
Insertion Loss	Ma x. 3.0 dB	1.7 dB	
-3 dB Bandwidth	Typ. 16 MHz	20 MHz	
Sensitivity (Attenuation)	Fo - 50 MHz	Typ. 40 dBc	55 dBc
	Fo + 50 MHz	Typ. 35 dBc	42 dBc
	Fo - ()MHz	Typ. dBc	dBc
	Fo +()MHz	Typ. dBc	dBc
Return Loss	Min. 12 dB	29 dB	
Ripple	< 1 dB	dB	
Impedance	In / Out : 50 Ω	In / Out : 50 Ω	

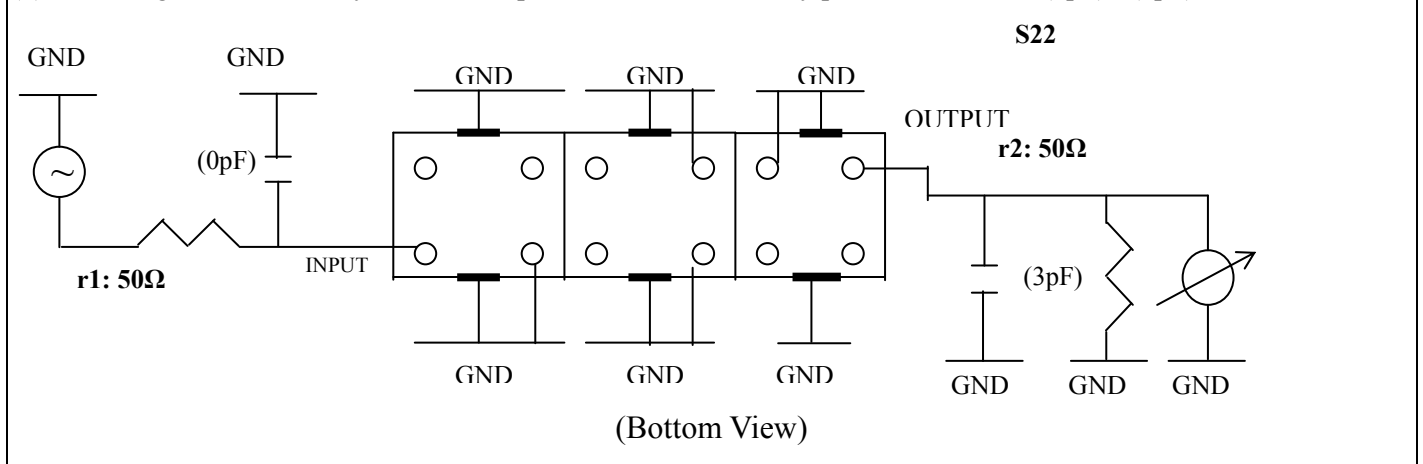
(4) Torque for Tuning Screw > 60gf · cm

(5) Temperature Condition:

Operating Temperature	0°C ~ +60°C
Storage Temperature	20°C ~ +70°C

(6) Input Power > 1Watt

(7) Measuring Circuit: ※Easy to match Impedance S11/S22 50Ω by parallel with about(0pF) / (3pF).

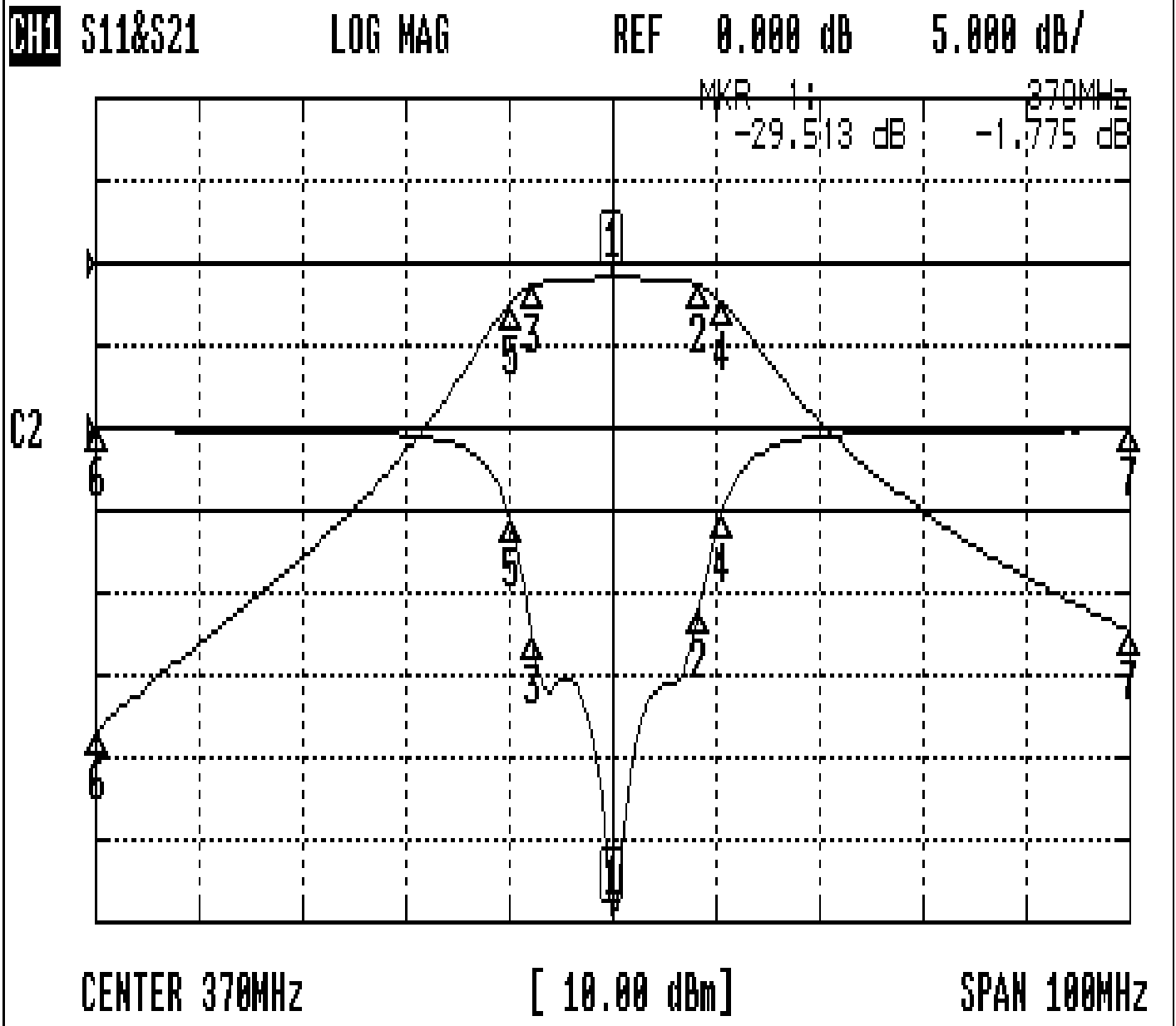


Approval	Supervisor	Designer	Aperture size
	C.S.Chang	Enlan	7H3 (4*7.5)(7.55)F

TEMWELL CORPORATION

Performance- K3BT-370M-16M

20402067DC



CH1 MARKER LIST

1:	370.000MHz	-29.457 dB	-1.769 dB
2:	378.416MHz	-11.038 dB	-2.714 dB
3:	362.333MHz	-12.751 dB	-2.704 dB
4:	380.650MHz	-5.156 dB	-4.757 dB
5:	360.200MHz	-5.726 dB	-4.751 dB
6:	320.000MHz	-0.113 dB	-56.983 dB
7:	420.000MHz	-0.119 dB	-44.512 dB