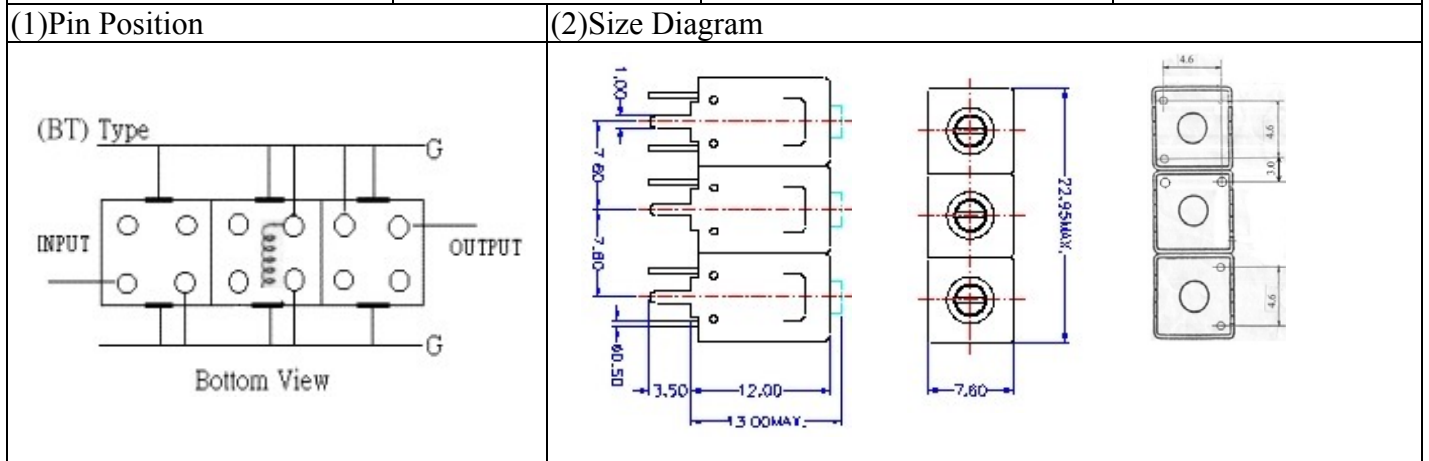


VHF UHF Helical Filter Specification Sheet

Customer Name		Temwell's Part No.	K3BT-410M-11M
Approval No. /dated	20402070DC	Customer's Part No.	
Work Instruction No.	20402070DC	Date	Feb.27.2004



(3) Electric Characteristic

Item	Specify	Performance
Center Freq.(Fo) +/- 0.5 %	410 MHz	410 MHz
Tunable Range: <input type="checkbox"/> Fo±5MHz <input type="checkbox"/> Fo±10MHz <input type="checkbox"/> Fo±15MHz	410±15 MHz	410±15 MHz
Insertion Loss	Ma x. 3.5 dB	2.7 dB
-3 dB Bandwidth	Typ. 11 MHz	14 MHz
Sensitivity (Attenuation)	Fo - 50 MHz	Typ. 40 dBc
	Fo + 50 MHz	Typ. 35 dBc
	Fo - ()MHz	Typ. dBc
	Fo +()MHz	Typ. dBc
Return Loss	Min. 12 dB	22 dB
Ripple	< 1 dB	dB
Impedance	In / Out : 50 Ω	In / Out : 50 Ω

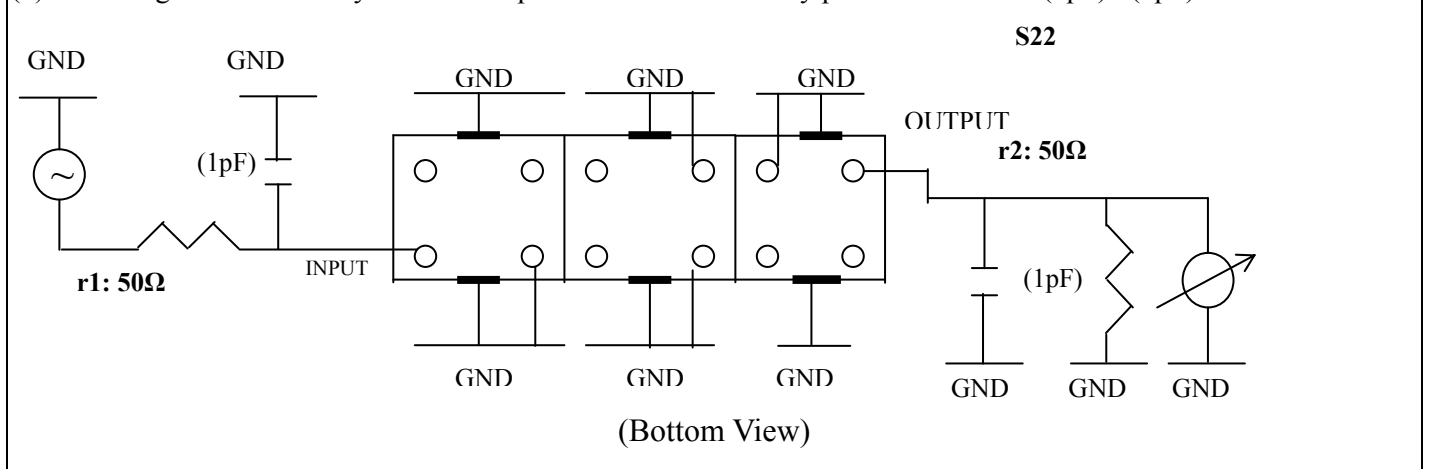
(4) Torque for Tuning Screw > 60gf · cm

(5) Temperature Condition:

Operating Temperature	0°C ~ +60°C
Storage Temperature	20°C ~ +70°C

(6) Input Power > 1Watt

(7) Measuring Circuit: ※Easy to match Impedance S11/S22 50Ω by parallel with about(1pF) / (1pF).

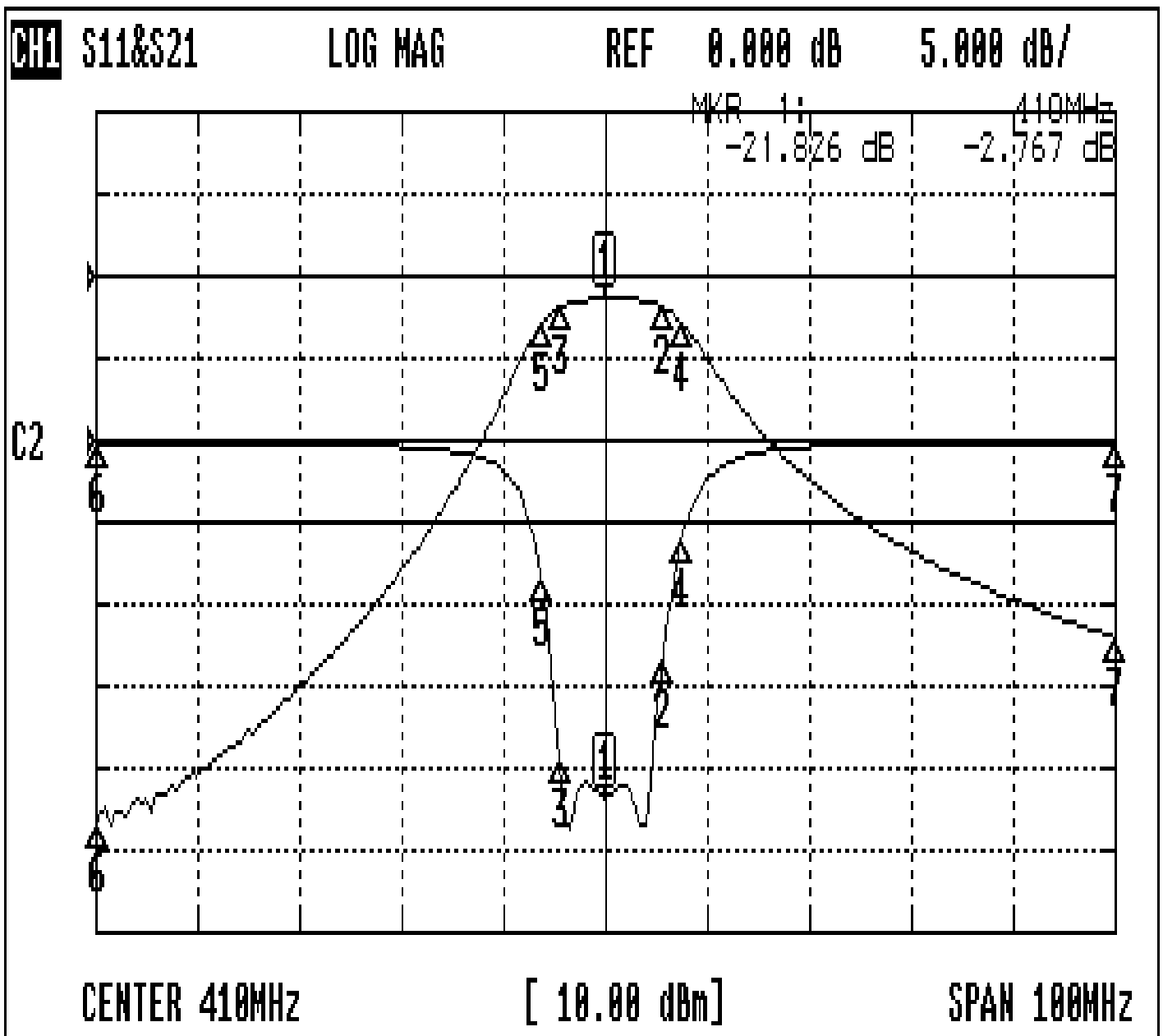


Approval	Supervisor	Designer	Aperture size
	C.S.Chang	Enlan	7H3 (4*6.5)(6.58)F

TEMWELL CORPORATION

Performance- K3BT-410M-11M

20402070DC



CH1 MARKER LIST

1:	410.000MHz	-21.826 dB	-2.767 dB
2:	415.666MHz	-13.301 dB	-3.723 dB
3:	405.500MHz	-19.431 dB	-3.742 dB
4:	417.583MHz	-5.969 dB	-5.800 dB
5:	403.750MHz	-8.385 dB	-5.720 dB
6:	360.000MHz	-0.160 dB	-67.009 dB
7:	460.000MHz	-0.160 dB	-43.984 dB