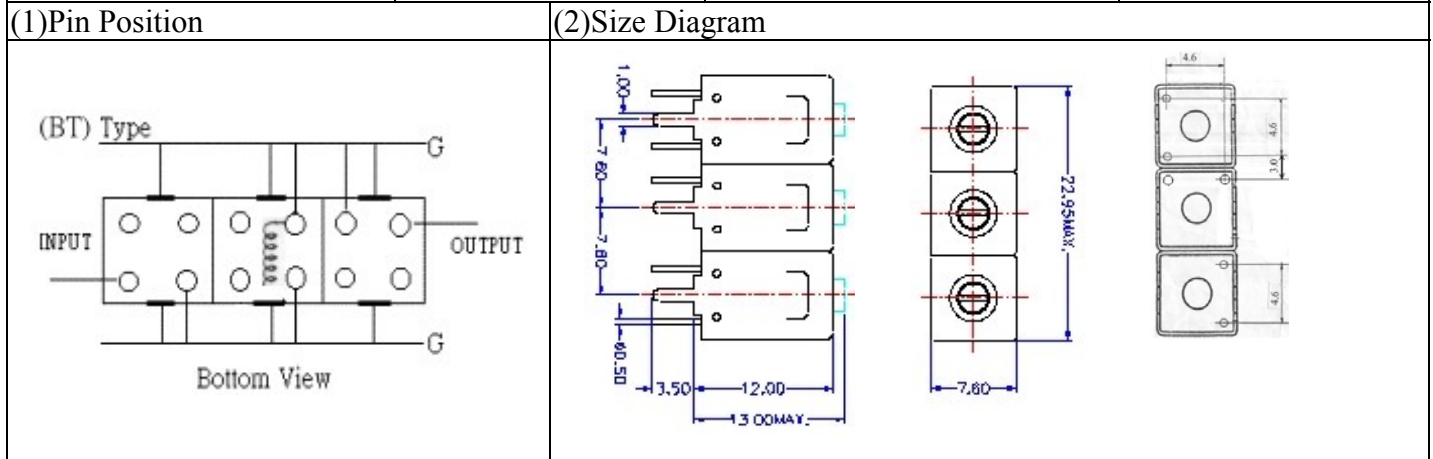


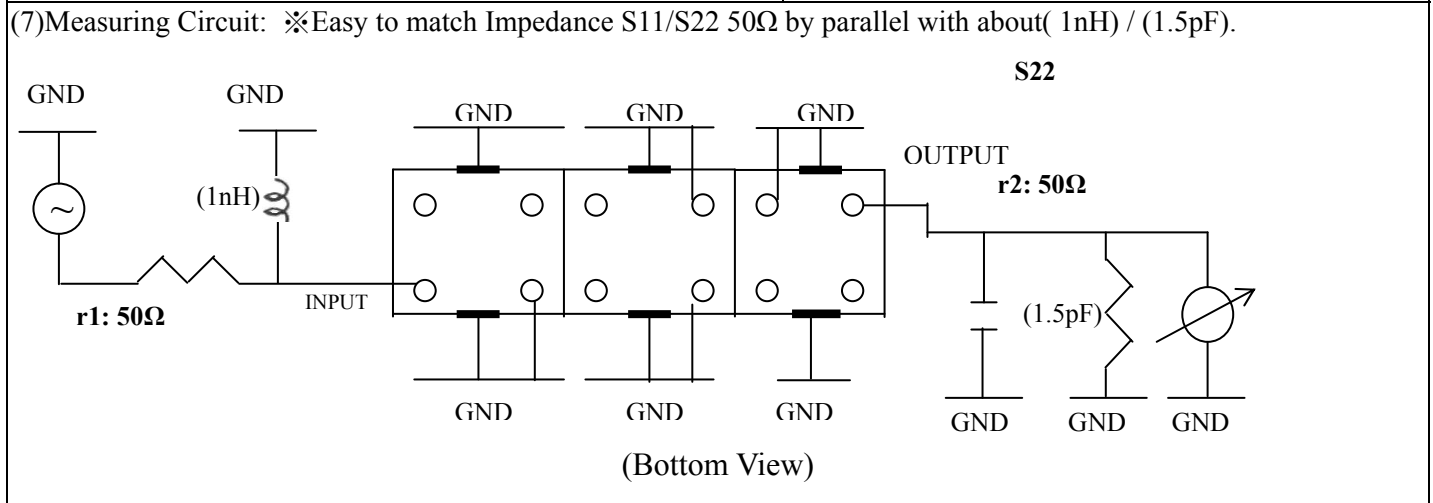
VHF UHF Helical Filter Specification Sheet

Customer Name		Temwell's Part No.	K3BT-410M-16M
Approval No. /dated	20402071DC	Customer's Part No.	
Work Instruction No.	20402071DC	Date	Feb.27.2004



(3) Electric Characteristic			
Item	Specify	Performance	
Center Freq.(Fo) +/- 0.5 %	410 MHz	410 MHz	
Tunable Range: <input type="checkbox"/> Fo±5MHz <input type="checkbox"/> Fo±10MHz <input type="checkbox"/> Fo±15MHz	410±15 MHz	410±15 MHz	
Insertion Loss	Max. 3.0 dB	1.9 dB	
-3 dB Bandwidth	Typ. 16 MHz	21 MHz	
Sensitivity (Attenuation)	Fo - 50 MHz	Typ. 40 dBc	50 dBc
	Fo + 50 MHz	Typ. 30 dBc	39 dBc
	Fo - ()MHz	Typ. dBc	dBc
	Fo +()MHz	Typ. dBc	dBc
Return Loss	Min. 12 dB	17 dB	
Ripple	< 1 dB	dB	
Impedance	In / Out : 50 Ω	In / Out : 50 Ω	
(4) Torque for Tuning Screw	> 60gf · cm		

(5) Temperature Condition:	
Operating Temperature	0°C ~ +60°C
Storage Temperature	20°C ~ +70°C
(6) Input Power	> 1Watt

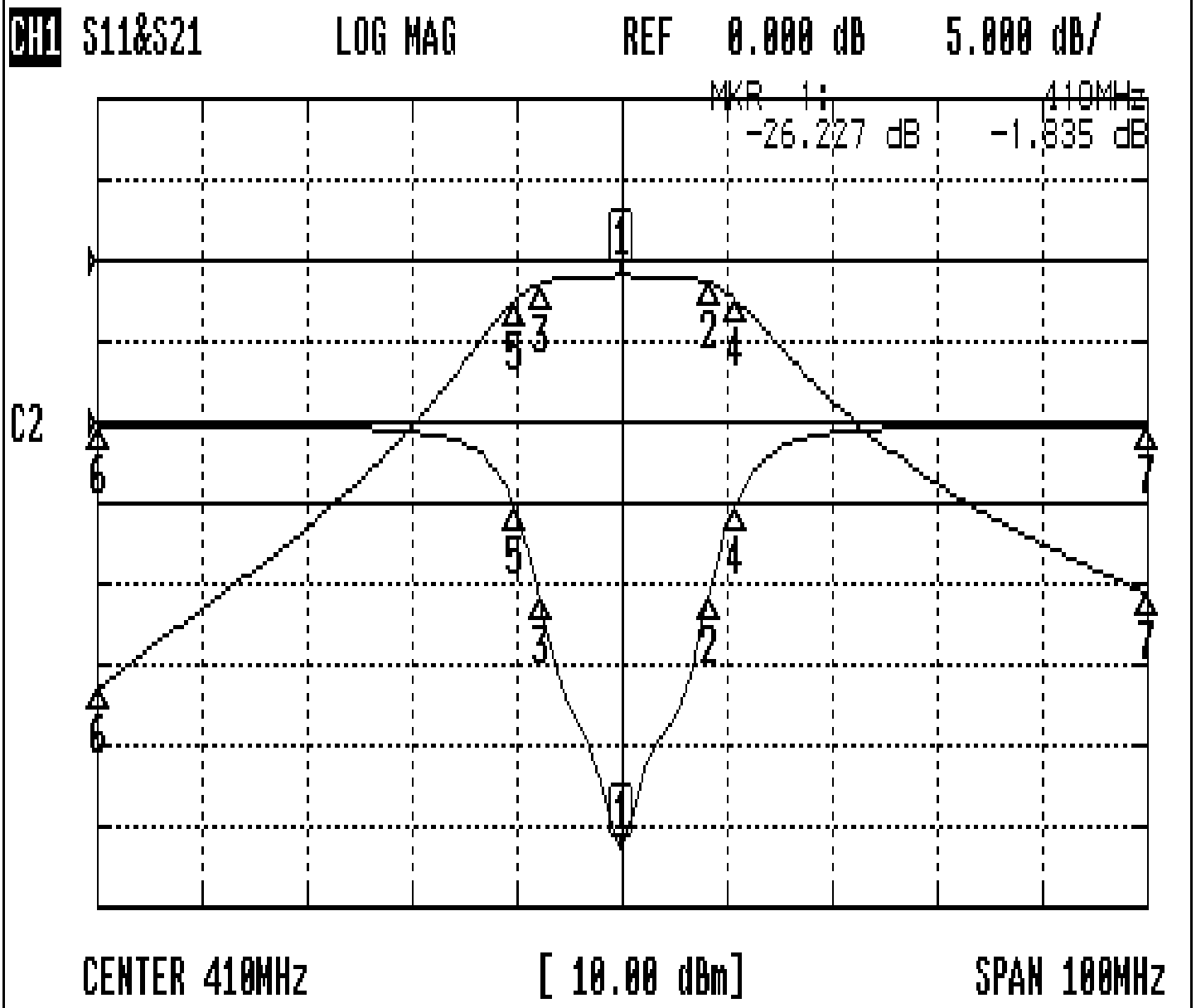


Approval	Supervisor	Designer	Aperture size
	C.S.Chang	Enlan	7H2S(4*7.5)(7.45)F

TEMWELL CORPORATION

Performance- K3BT-410M-16M

20402071DC



CH1 MARKER LIST

1:	410.000MHz	-26.227 dB	-1.835 dB
2:	418.333MHz	-10.675 dB	-2.812 dB
3:	402.250MHz	-10.982 dB	-2.838 dB
4:	420.833MHz	-5.151 dB	-4.824 dB
5:	399.850MHz	-5.318 dB	-4.867 dB
6:	360.000MHz	-0.156 dB	-53.839 dB
7:	460.000MHz	-0.163 dB	-41.139 dB