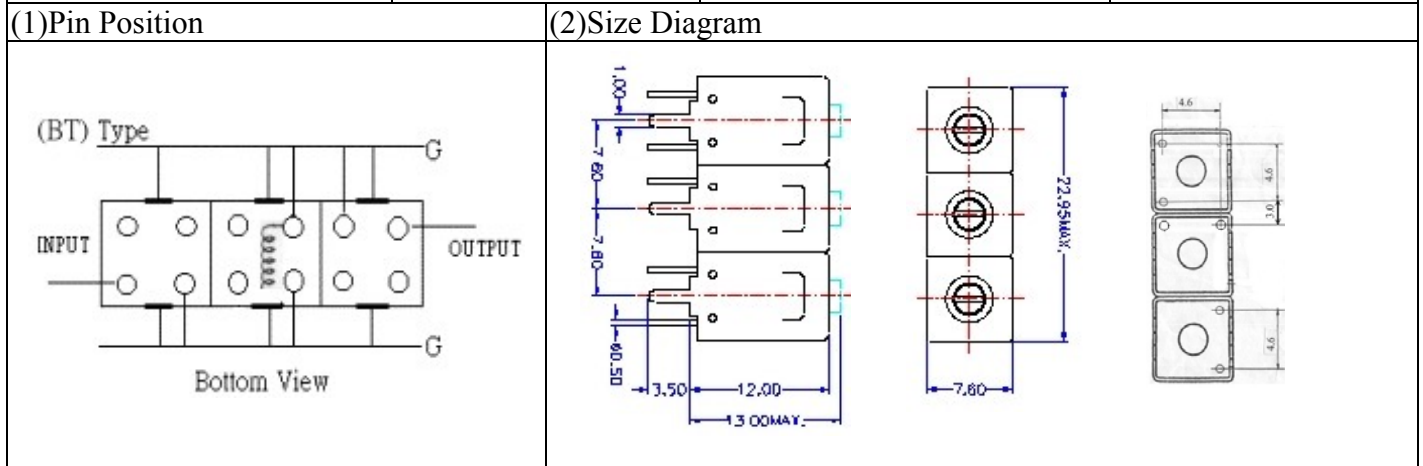


VHF UHF Helical Filter Specification Sheet

Customer Name		Temwell's Part No.	K3BT-415M-20M
Approval No. /dated	0904138CD	Customer's Part No.	K3BT 415M
Work Instruction No.	200904138CD	Date	APR.28.2009



(3) Electric Characteristic

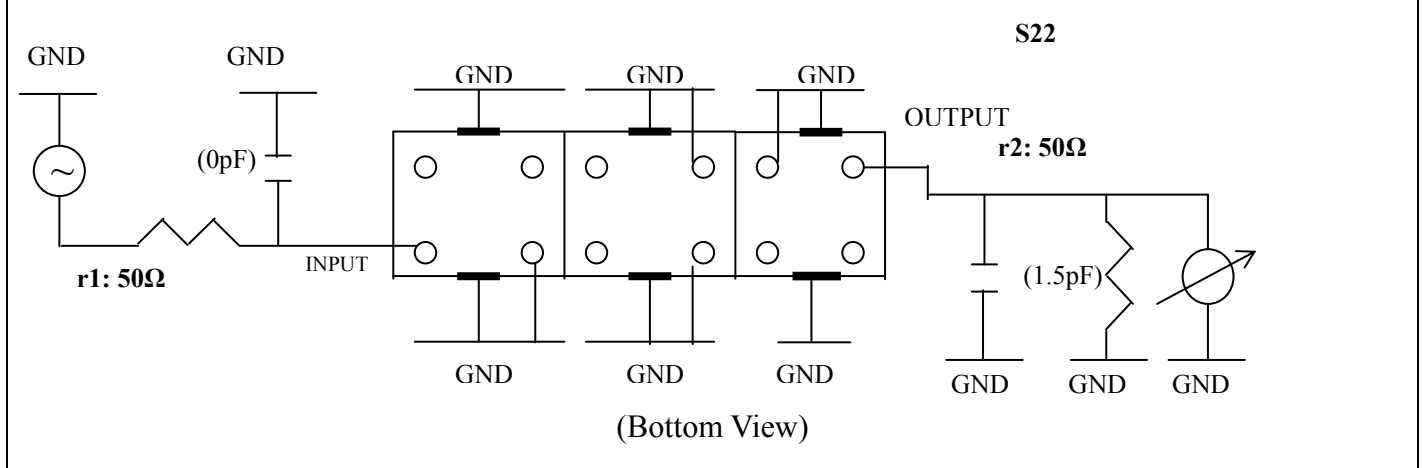
Item	Specify	Performance	
Center Freq.(Fo) +/- 0.5 %	415 MHz	415 MHz	
Insertion Loss	Typ. 3.0 dB	1.71 dB	
-3 dB Bandwidth	Typ. 20 MHz	23 MHz	
Sensitivity (Attenuation)	Fo - 50 MHz	Typ. 36 dBc	55 dBc
	Fo + 50 MHz	Typ. 26 dBc	31 dBc
	Fo - ()MHz	Typ. dBc	dBc
	Fo +()MHz	Typ. dBc	dBc
Return Loss	Min. 12 dB	31.3 dB	
Ripple	< 1 dB	dB	
Impedance	In / Out : 50 Ω	In / Out : 50 Ω	
(4) Torque for Tuning Screw	> 100gf · cm		

(5) Temperature Condition:

Operating Temperature	0°C ~ +60°C
Storage Temperature	-20°C ~ +70°C

(6) Input Power

(7) Measuring Circuit: ※Easy to match Impedance S11/S22 50Ω by parallel with about(0pF) / (1.5pF).



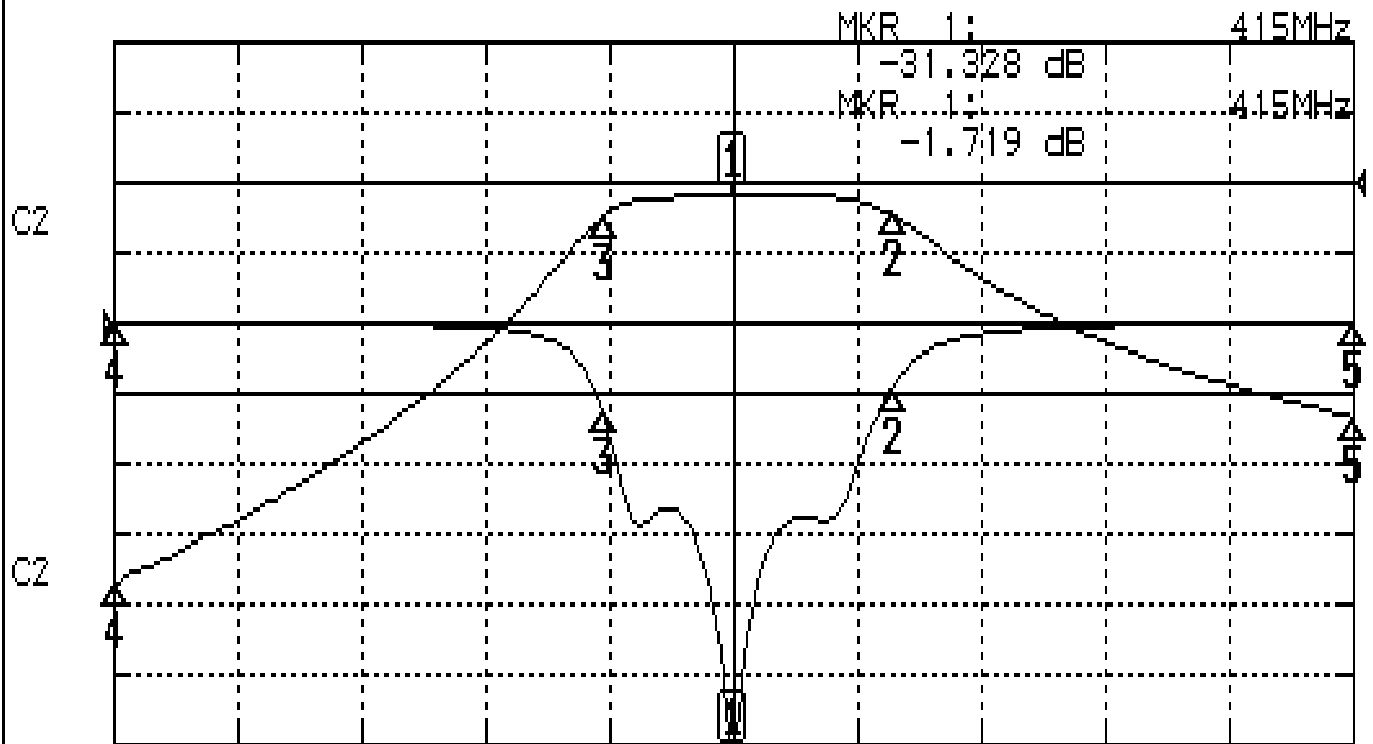
Approval	Supervisor	Designer	Aperture size
C.S.Chang	C.K.Chang	J.F.Lin	7H3S(4*7.5)(7.52) 7H046RB4

TEMWELL CORPORATION

Performance-K3BT-415M-20M

200904138CD

CH1 S11 LOG MAG REF 0.000 dB 5.000 dB/
CH2 S21 LOG MAG REF 0.000 dB 10.000 dB/



CENTER 415MHz

[10.00 dBm]

SPAN 100MHz

CH1 MARKER LIST

Marker	Frequency (MHz)	Magnitude (dB)
1:	415.000	-31.328
2:	427.916	-4.413
3:	404.583	-6.407
4:	365.000	0.023
5:	465.000	0.027
6:		
7:		
8:		
9:		
10:		

CH2 MARKER LIST

Marker	Frequency (MHz)	Magnitude (dB)
1:	415.000	-1.719
2:	427.916	-4.733
3:	404.583	-4.700
4:	365.000	-36.799
5:	465.000	-33.275
6:		
7:		
8:		
9:		
10:		