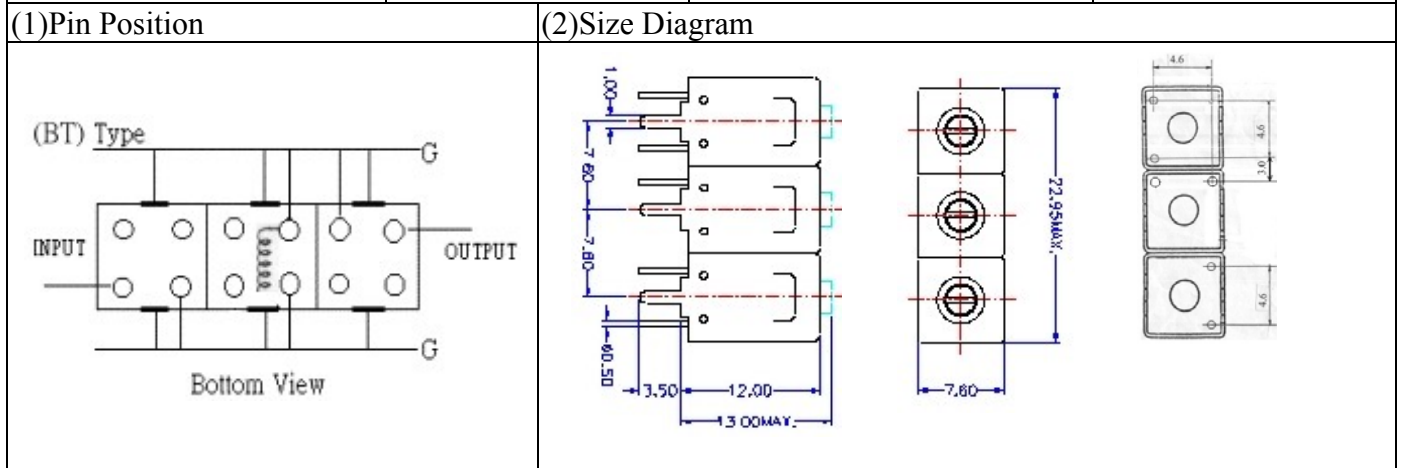
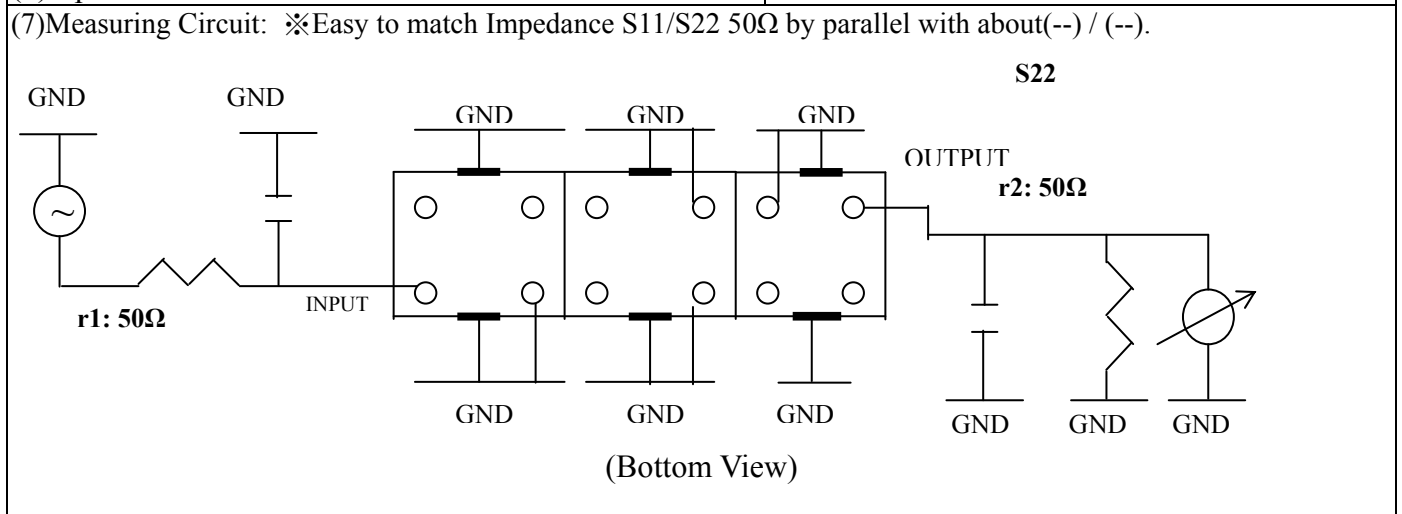


# VHF UHF Helical Filter Specification Sheet

Customer Name		Temwell's Part No.	K3BT-425M-20M
Approval No. /dated	201007168ED	Temwell's Part No.	K3BT 425M
Work Instruction No.	201007168ED	Date	Jul.22.2010



(3) Electric Characteristic					
Item		Specify		Performance	
Center Freq.(Fo ) +/- 0.5 %		425 MHz		425 MHz	
Insertion Loss		Typ.	3.0 dB	1.88 dB	
-3 dB Bandwidth		Typ.	20 MHz	22.0 MHz	
Sensitivity (Attenuation)	Fo - 50 MHz	Typ.	36 dBc	55 dBc	
	Fo + 50 MHz	Typ.	26 dBc	40 dBc	
	Fo - ( )MHz	Typ.	dBc	dBc	
	Fo +( )MHz	Typ.	dBc	dBc	
Return Loss		Min.	12 dB	22.1 dB	
Ripple		< 1 dB		dB	
Impedance		In / Out : 50 Ω		In / Out : 50 Ω	
(4) Torque for Tuning Screw		> 100gf • cm			
(5) Temperature Condition:					
Operating Temperature		0°C ~ +60°C			
Storage Temperature		-20°C ~ +70°C			
(6) Input Power		> 1Watt			

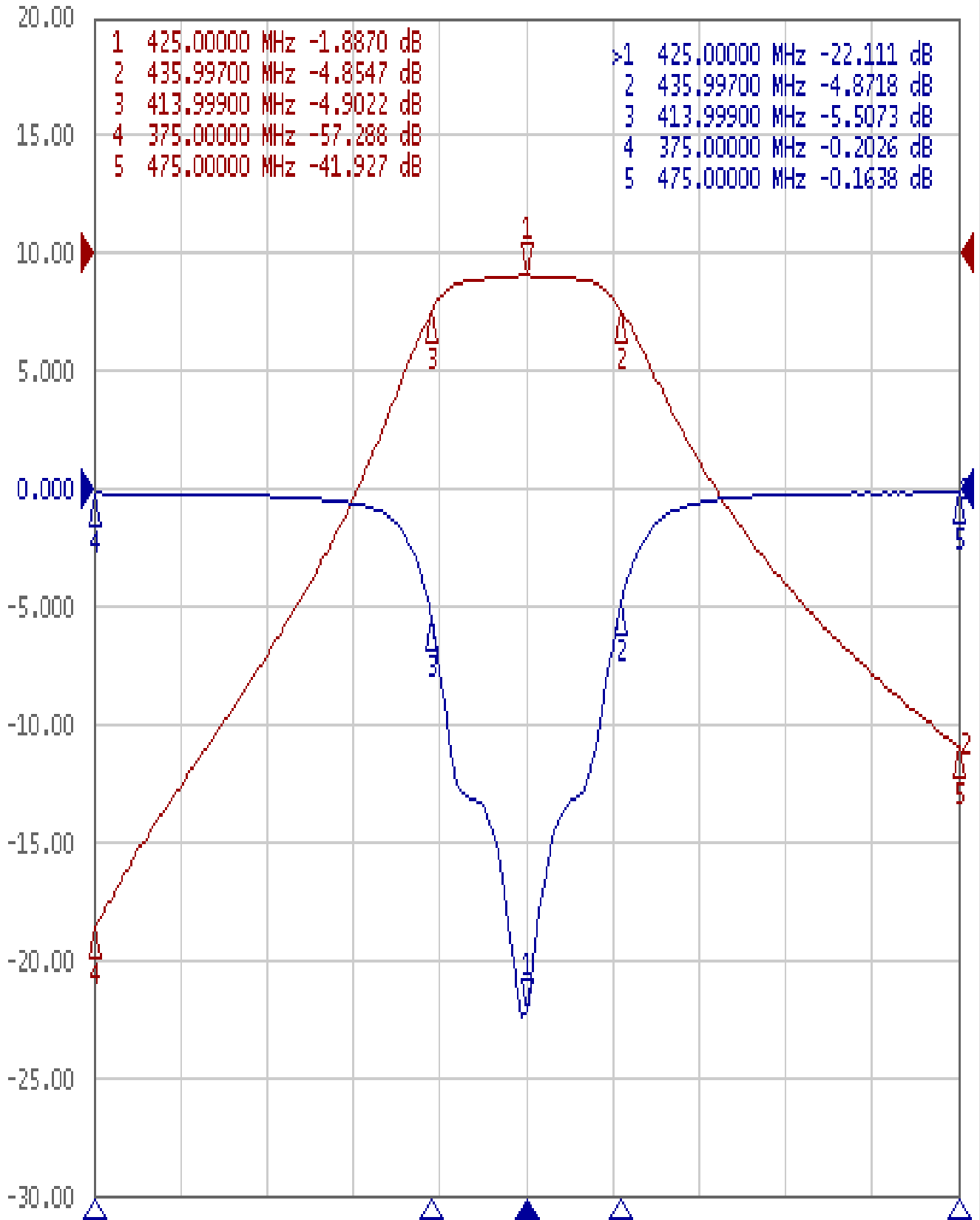


Approval	Supervisor	Designer	Aperture size
C.S.Chang	C.K.Chang	P.H.Chiang	7H3S(4*7.35)(7.38) 7H046LB4.3 聚 3
TEMWELL CORPORATION			

# Performance-K3BT-425M-20M

## 201007168ED

Tr1 S11 Log Mag 5.000dB/ Ref 0.000dB [F2]  
Tr2 S21 Log Mag 10.000dB/ Ref 0.000dB [F2]



1 Center 425 MHz

IFBW 70 kHz

Span 100 MHz Cor !