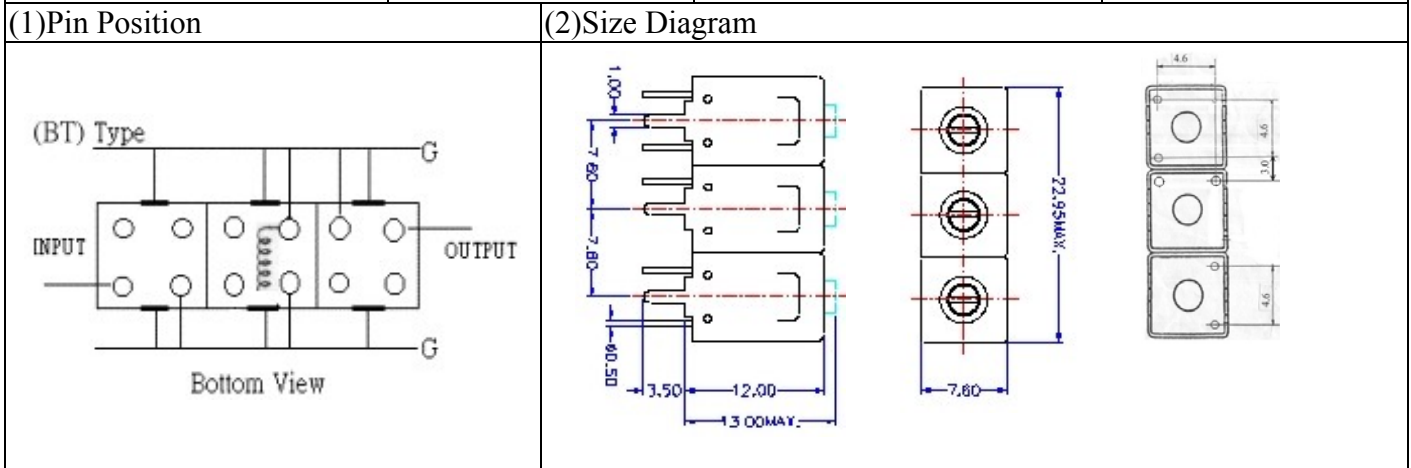
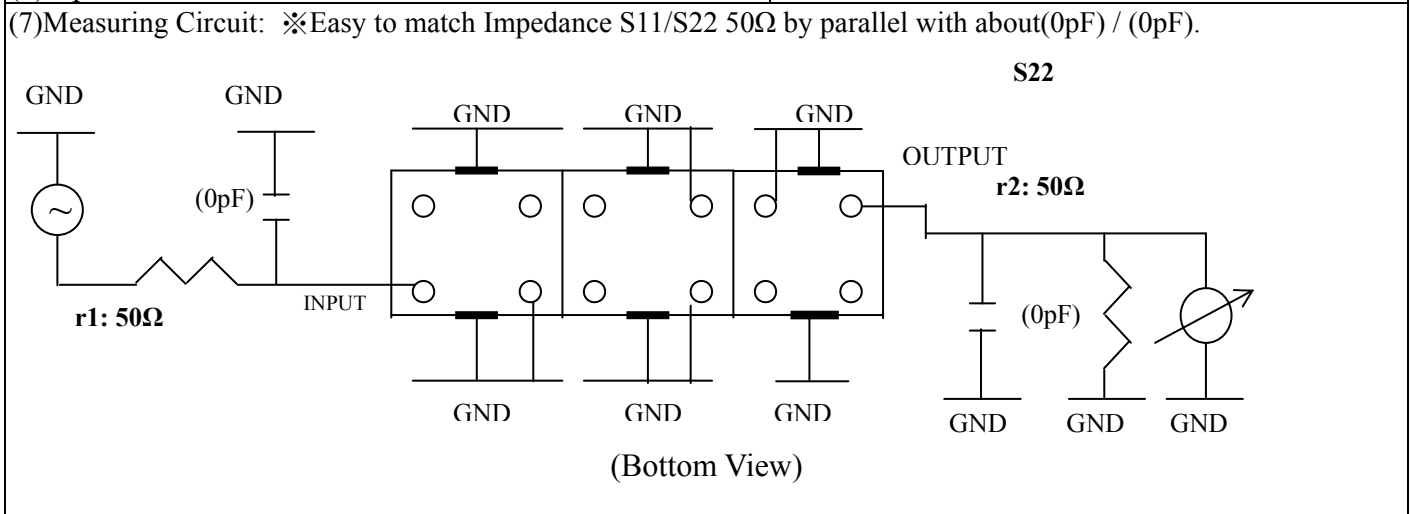


VHF UHF Helical Filter Specification Sheet

Customer Name		Temwell's Part No.	K3BT-435M-20M
Approval No. /dated	0904140CD	Customer's Part No.	K3BT 435M
Work Instruction No.	200904140CD	Date	APR.28.2009



(3) Electric Characteristic			
Item		Specify	Performance
Center Freq.(Fo) +/- 0.5 %		435 MHz	435 MHz
Insertion Loss		Typ. 3.0 dB	1.61 dB
-3 dB Bandwidth		Typ. 20 MHz	22.6 MHz
Sensitivity (Attenuation)	Fo - 50 MHz	Typ. 49 dBc	52 dBc
	Fo + 50 MHz	Typ. 34 dBc	37 dBc
	Fo - ()MHz	Typ. dBc	dBc
	Fo + ()MHz	Typ. dBc	dBc
Return Loss		Min. 12 dB	20.6 dB
Ripple		< 1 dB	dB
Impedance		In / Out : 50 Ω	In / Out : 50 Ω
(4) Torque for Tuning Screw		> 100gf • cm	
(5) Temperature Condition:			
Operating Temperature		0°C ~ +60°C	
Storage Temperature		-20°C ~ +70°C	
(6) Input Power		> 1Watt	

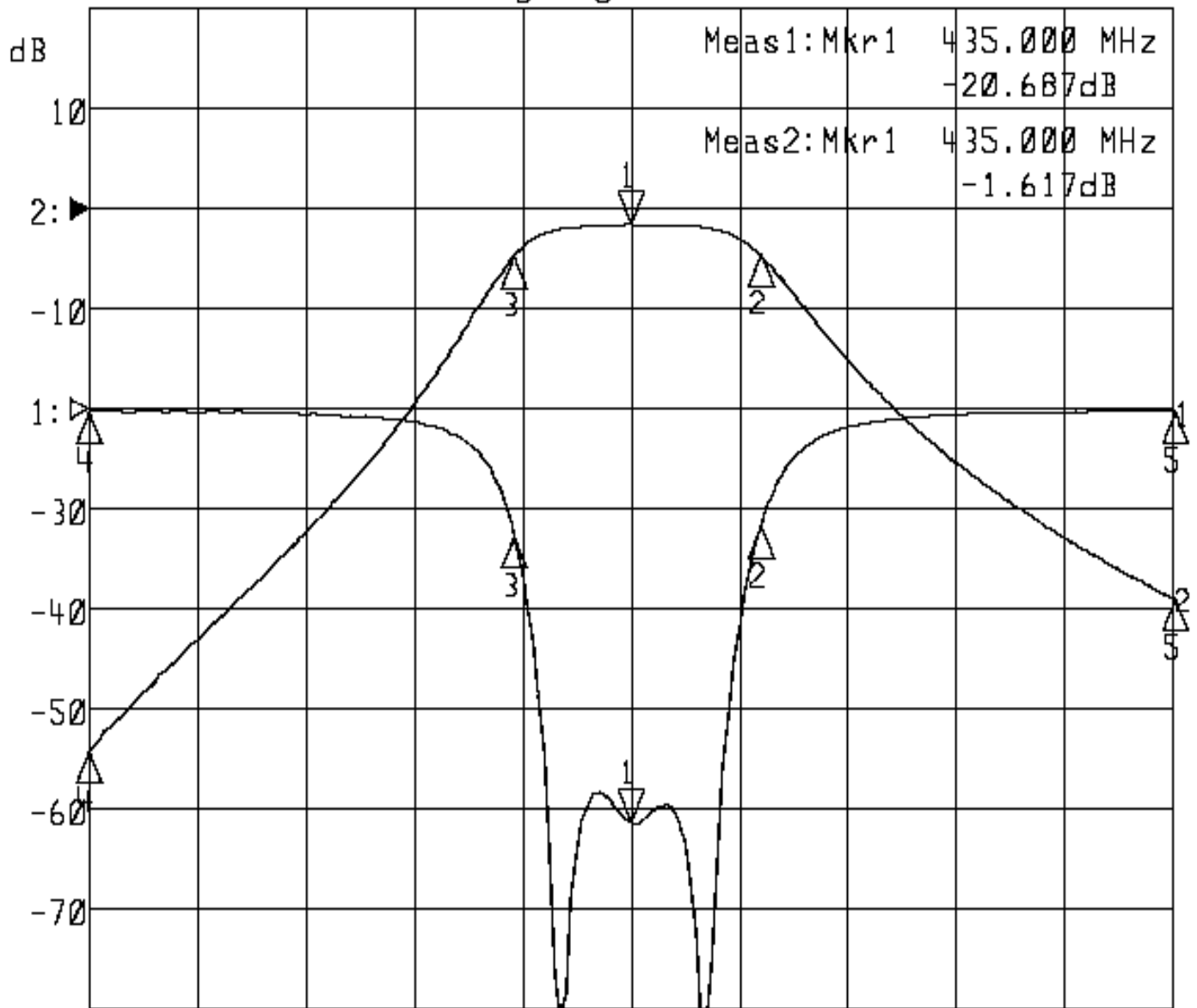


Approval	Supervisor	Designer	Aperture size
C.S.Chang	C.K.Chang	J.F.Lin	7H3S(4*7.5)(7.57) 7H046LB4.3 聚 3
TEMWELL CORPORATION			

Performance-K3BT-435M-20M

200904140CD

▶1:S11 Refl Port1 Log Mag 5.0 dB/ Ref 0.00 dB C
▶2:S21 Fwd Trans Log Mag 10.0 dB/ Ref 0.00 dB C



Meas1:Mkr1 435.000 MHz
 -20.687dB
Meas2:Mkr1 435.000 MHz
 -1.617dB

Center 435.000 MHz

Span 100.000 MHz

1:Mkr (MHz)	dB	2:Mkr (MHz)	dB
1> 435.0000	-20.687	1> 435.0000	-1.617
2: 446.9333	-5.907	2: 446.9333	-4.621
3: 424.3000	-6.358	3: 424.3000	-4.645
4: 385.0000	-0.120	4: 385.0000	-54.164
5: 485.0000	-0.133	5: 485.0000	-38.977