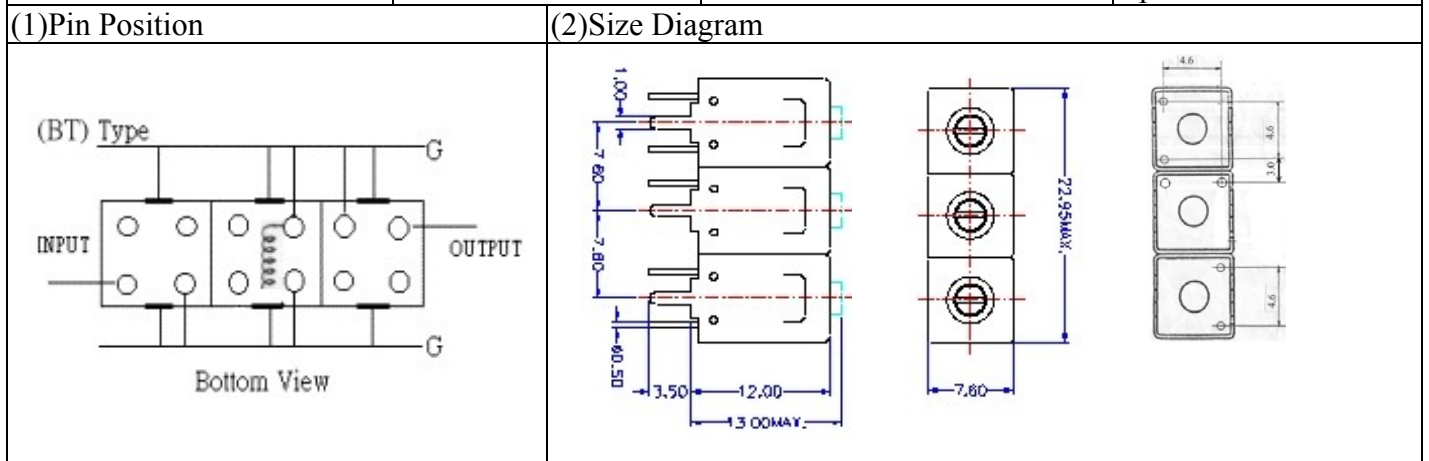


VHF UHF Helical Filter Specification Sheet

Customer Name		Temwell's Part No.	K3BT-455M-20M
Approval No. /dated	20404054DB	Customer's Part No.	
Work Instruction No.	20404054DB	Date	Apr.15.2004



(3) Electric Chararistic

Item	Specify	Performance	
Center Freq.(Fo) +/- 0.5 %	455 MHz	455 MHz	
Tunable Range: <input checked="" type="checkbox"/> Fo±8MHz <input type="checkbox"/> Fo±10MHz <input type="checkbox"/> Fo±15MHz	455±8 MHz	455±8 MHz	
Insertion Loss	Typ. 3.0 dB	2.17 dB	
-3 dB Bandwidth	Typ. 20 MHz	23 MHz	
Sensitivity (Attenuation)	Fo - 50 MHz	Typ. 36 dBc	49 dBc
	Fo + 50 MHz	Typ. 26 dBc	39 dBc
	Fo - ()MHz	Typ. dBc	dBc
	Fo + ()MHz	Typ. dBc	dBc
Return Loss	Min. 12 dB	22 dB	
Ripple	< 1 dB	dB	
Impedance	In / Out : 50 Ω	In / Out : 50 Ω	

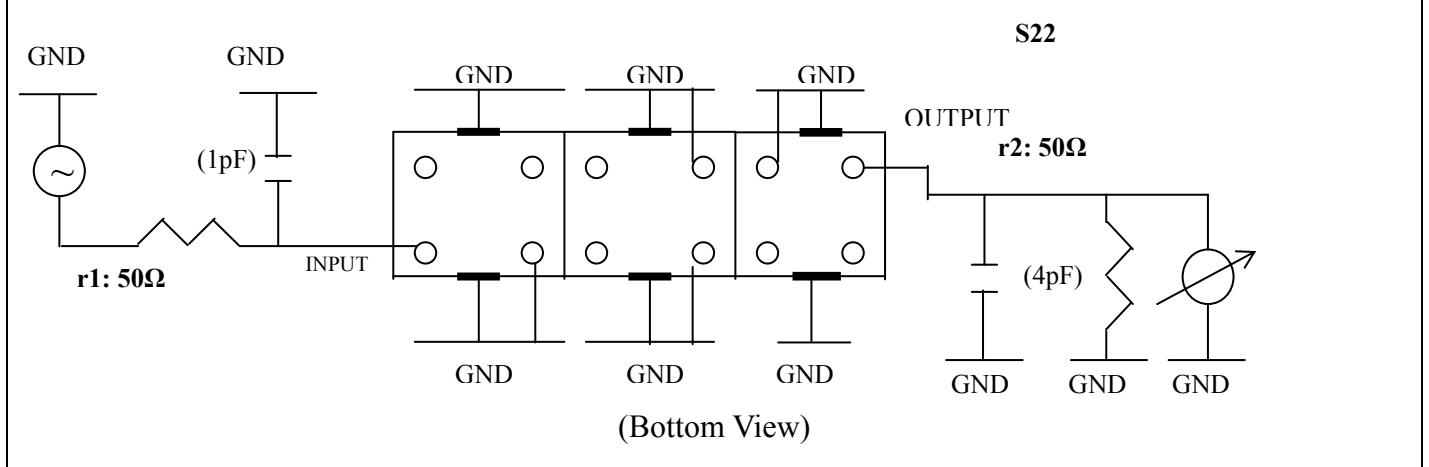
(4) Torque for Tuning Screw > 60gf · cm

(5) Temperature Condition:

Operating Temperature	0°C ~ +60°C
Storage Temperature	-20°C ~ +70°C

(6) Input Power > 1Watt

(7) Measuring Circuit: ※Easy to match Impedance S11/S22 50Ω/ by parallel with about(0~1 pF) / (0~4 pF).

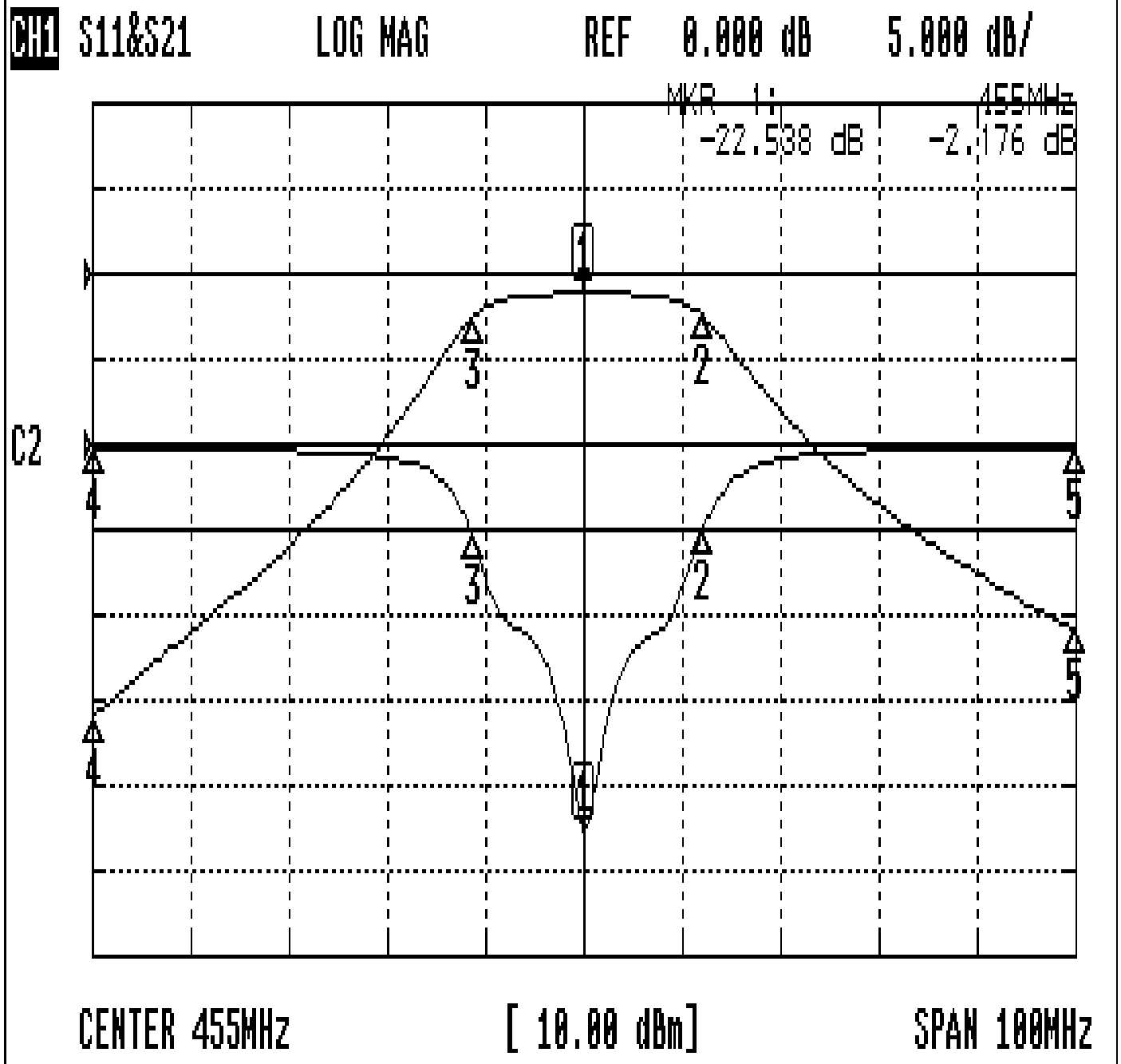


Approval	Supervisor	Designer	Aperture size
	C.S.Chang	P.H.Ching	7H3(4*7.5)(7.58)

TEMWELL CORPORATION

Performance-K3BT-455M-20M

20404054DB



CH1 MARKER LIST

1:	455.000MHz	-22.538 dB	-2.176 dB
2:	467.166MHz	-4.938 dB	-5.183 dB
3:	443.666MHz	-5.328 dB	-5.190 dB
4:	485.000MHz	-0.249 dB	-51.725 dB
5:	585.000MHz	-0.259 dB	-41.885 dB