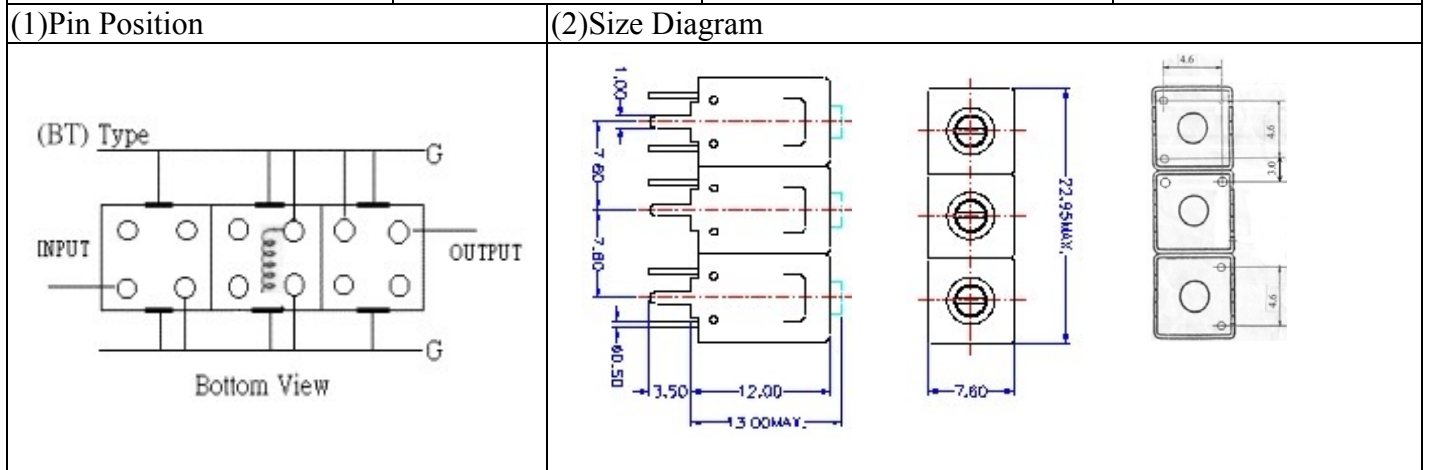


VHF UHF Helical Filter Specification Sheet

Customer Name		Temwell's Part No.	K3BT-612M-18M
Approval No. /dated	0906100CD	Temwell's Print name.	K3BT 612M
Work Instruction No.	200906100CD	Date	Jul.10.2009



(3) Electric Characteristic

Item	Specify	Performance	
Center Freq.(Fo) +/- 0.5 %	612 MHz	612 MHz	
Insertion Loss	Typ. 3.5 dB	2.11 dB	
-3 dB Bandwidth	Typ. 18 MHz	21.5 MHz	
Sensitivity (Attenuation)	Fo - 30 MHz	Typ. 20 dBc	29 dBc
	Fo + 30 MHz	Typ. 14 dBc	21 dBc
	Fo - ()MHz	Typ. dBc	dBc
	Fo + ()MHz	Typ. dBc	dBc
Return Loss	Min. 12 dB	21.1 dB	
Ripple	< 1 dB	dB	
Impedance	In / Out : 50 Ω	In / Out : 50 Ω	

(4) Torque for Tuning Screw > 100gf · cm

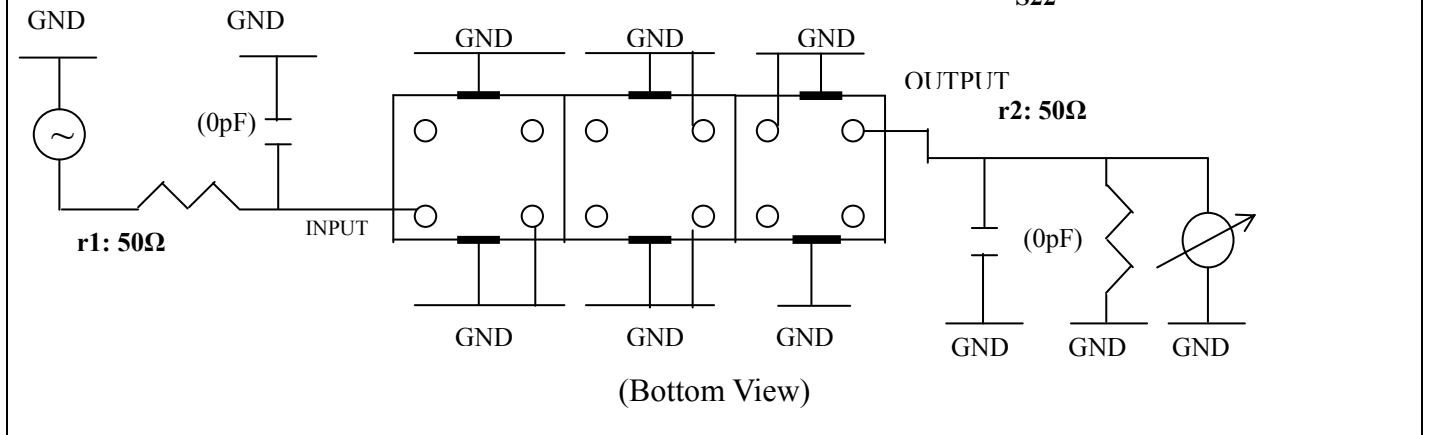
(5) Temperature Condition:

Operating Temperature	0°C ~ +60°C
-----------------------	-------------

Storage Temperature	-20°C ~ +70°C
---------------------	---------------

(6) Input Power > 1Watt

(7) Measuring Circuit: ※Easy to match Impedance S11/S22 50Ω by parallel with about(0pF) / (0pF).



Approval C.Y.Chang	Supervisor C.K.Chang	Designer Y.H.Yeh	Aperture size 7H3S(4*5.5)(5.57) 7H046RB4
-----------------------	-------------------------	---------------------	--

TEMWELL CORPORATION

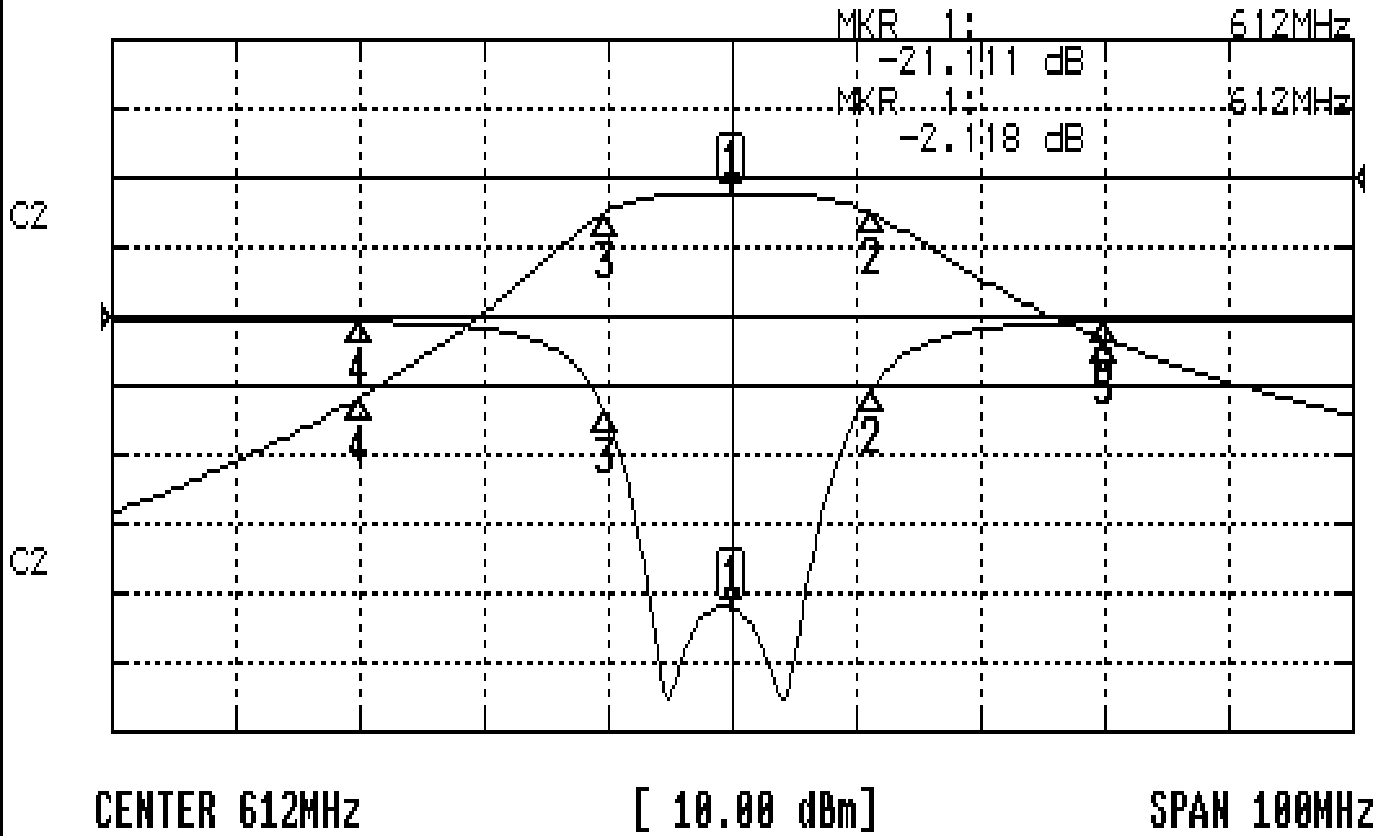
TEMWELL

Form10-7H3BT Vision D RP(Y.H.Y)

Performance-K3BT-612M-18M

200906100CD

CH1 S11 LOG MAG REF 0.000 dB 5.000 dB/
CH2 S21 LOG MAG REF 0.000 dB 10.000 dB/



CH1 MARKER LIST

1:	612.000MHz	-21.111	dB
2:	623.220MHz	-5.341	dB
3:	601.720MHz	-6.093	dB
4:	582.000MHz	-0.362	dB
5:	642.000MHz	-0.343	dB

CH2 MARKER LIST

1:	612.000MHz	-2.118	dB
2:	623.220MHz	-5.122	dB
3:	601.720MHz	-5.128	dB
4:	582.000MHz	-31.644	dB
5:	642.000MHz	-23.244	dB