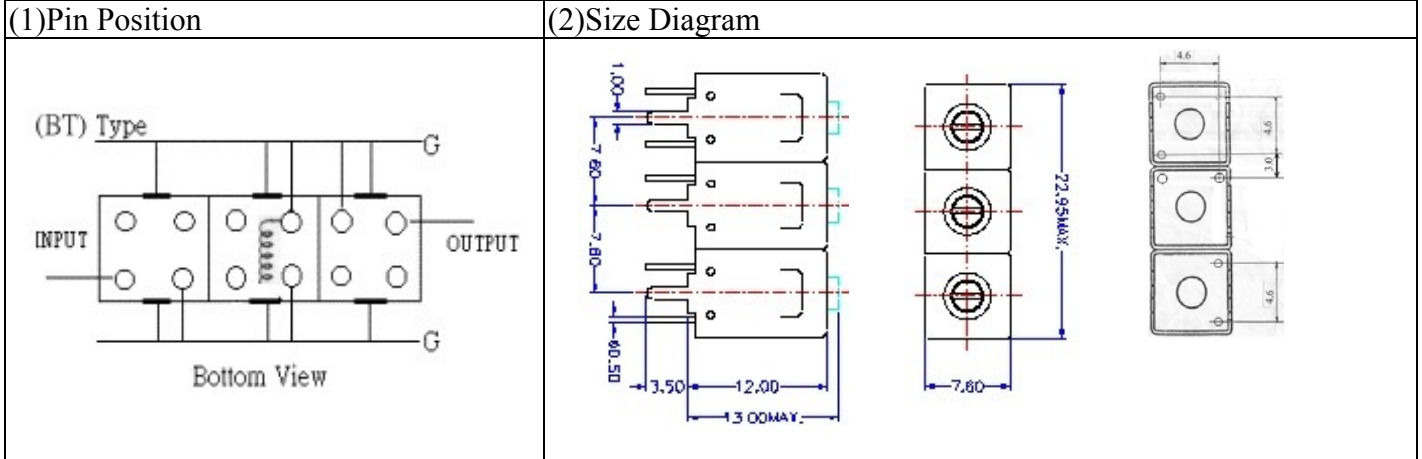


VHF UHF Helical Filter Specification Sheet

Customer Name		Temwell's Part No.	K3BT-680M-13M
Approval No. /dated	20402075DC	Customer's Part No.	
Work Instruction No.	20402075DC	Date	Feb.02.2004



(3) Electric Chararistic

Item	Specify	Performance	
Center Freq.(Fo) +/- 0.5 %	680 MHz	680 MHz	
Tunable Range: <input type="checkbox"/> Fo±5MHz <input type="checkbox"/> Fo±10MHz <input type="checkbox"/> Fo±15MHz	680±15 MHz	680±15 MHz	
Insertion Loss	Ma x. 3.5 dB	2.8 dB	
-3 dB Bandwidth	Typ. 13 MHz	16 MHz	
Sensitivity (Attenuation)	Fo - 50 MHz	Typ. 40 dBc	46 dBc
	Fo + 50 MHz	Typ. 30 dBc	33 dBc
	Fo - ()MHz	Typ. dBc	dBc
	Fo +()MHz	Typ. dBc	dBc
Return Loss	Min. 12 dB	27 dB	
Ripple	< 1 dB	dB	
Impedance	In / Out : 50 Ω	In / Out : 50 Ω	

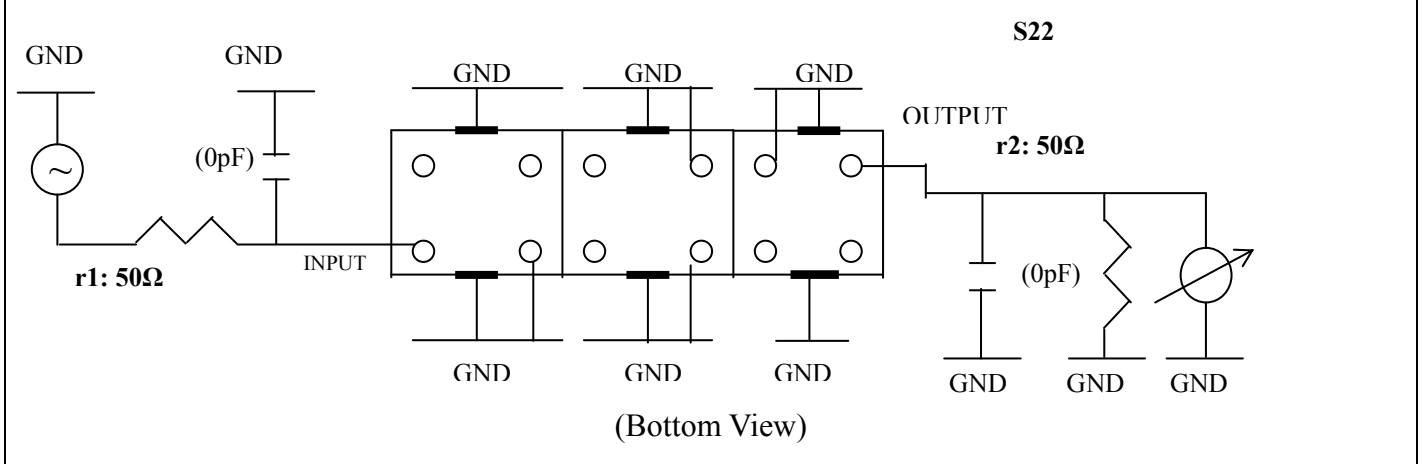
(4) Torque for Tuning Screw > 60gf · cm

(5) Temperature Condition:

Operating Temperature	0°C ~ +60°C
Storage Temperature	20°C ~ +70°C

(6) Input Power > 1 Watt

(7) Measuring Circuit: ※Easy to match Impedance S11/S22 50Ω by parallel with about(0pF) / (0pF).

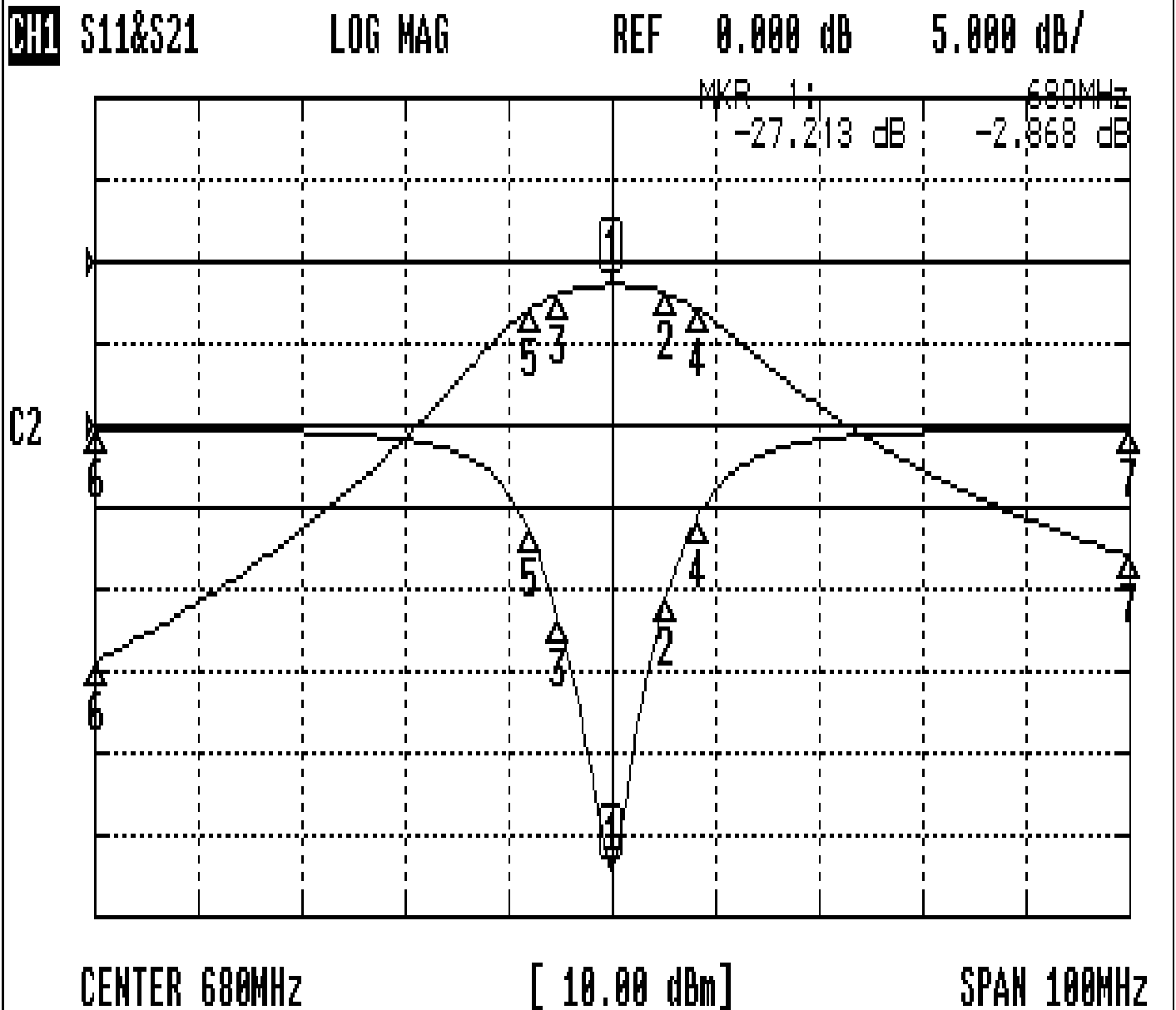


Approval	Supervisor	Designer	Aperture size
	C.S.Chang	Enlan	7H3 (4*5.5)(5.58)F

TEMWELL CORPORATION

Performance- K3BT-680M-13M

20402075DC



CH1 MARKER LIST

1:	680.000MHz	-27.213 dB	-2.868 dB
2:	685.250MHz	-10.633 dB	-3.876 dB
3:	674.916MHz	-11.911 dB	-3.889 dB
4:	688.250MHz	-5.682 dB	-5.819 dB
5:	672.000MHz	-6.445 dB	-5.838 dB
6:	630.000MHz	-0.177 dB	-48.629 dB
7:	730.000MHz	-0.197 dB	-35.925 dB