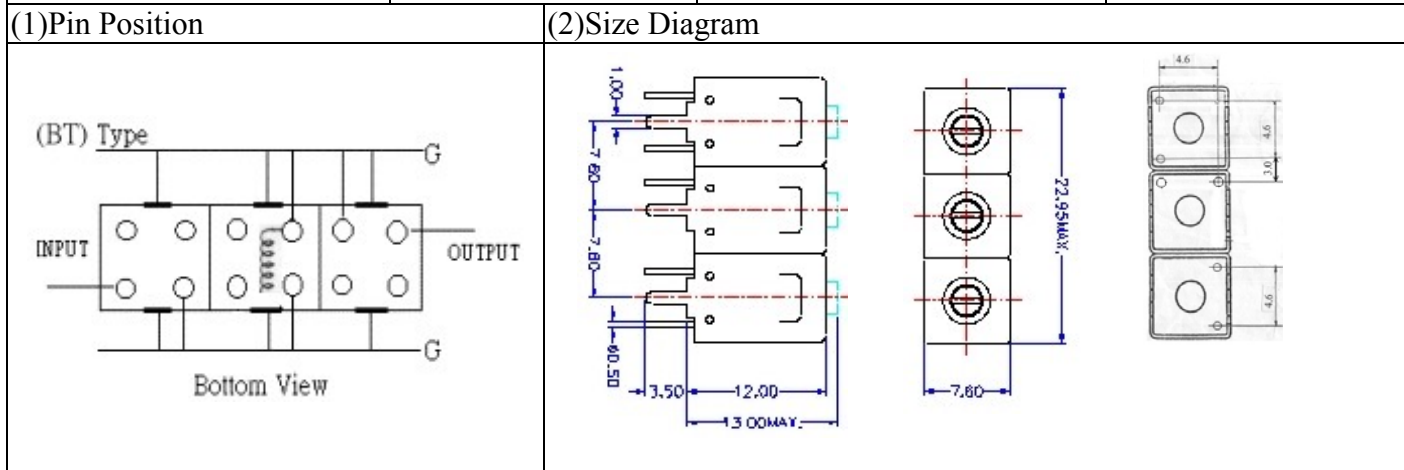


# VHF UHF Helical Filter Specification Sheet

Customer Name		Temwell's Part No.	K3BT-835M-20M
Approval No. /dated	0906101CD	Customer's Part No.	K3BT 835M
Work Instruction No.	200906101CD	Date	Jul.14.2009



### (3) Electric Characteristic

Item	Specify	Performance	
Center Freq.(Fo) +/- 0.5 %	835 MHz	835 MHz	
Insertion Loss	Typ. 3.0 dB	2.26 dB	
-3 dB Bandwidth	Typ. 20 MHz	28.4 MHz	
Sensitivity (Attenuation)	Fo - 50 MHz	Typ. 40 dBc	43 dBc
	Fo + 50 MHz	Typ. 26 dBc	29 dBc
	Fo - ( )MHz	Typ. dBc	dBc
	Fo + ( )MHz	Typ. dBc	dBc
Return Loss	Min. 12 dB	24.1 dB	
Ripple	< 1 dB	dB	
Impedance	In / Out : 50 Ω	In / Out : 50 Ω	

### (4) Torque for Tuning Screw

> 100gf · cm

### (5) Temperature Condition:

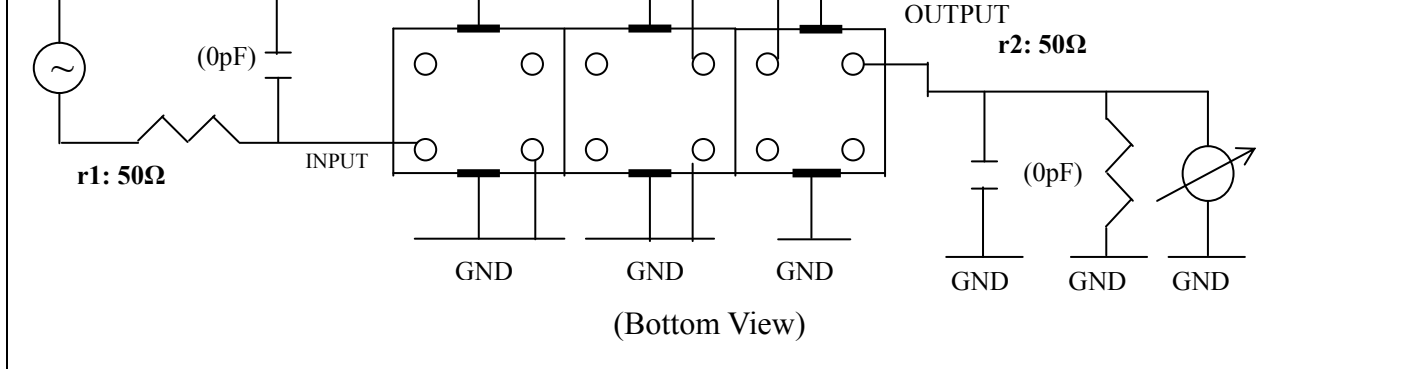
Operating Temperature 0°C ~ +60°C

Storage Temperature -20°C ~ +70°C

### (6) Input Power

> 1Watt

### (7) Measuring Circuit: ※Easy to match Impedance S11/S22 50Ω by parallel with about(0pF) / (0pF).



Approval	Supervisor	Designer	Aperture size
C.Y.Chang	C.K.Chang	Y.H.Yeh	7H3S(4*6.5)(6.58) 7H046RB4

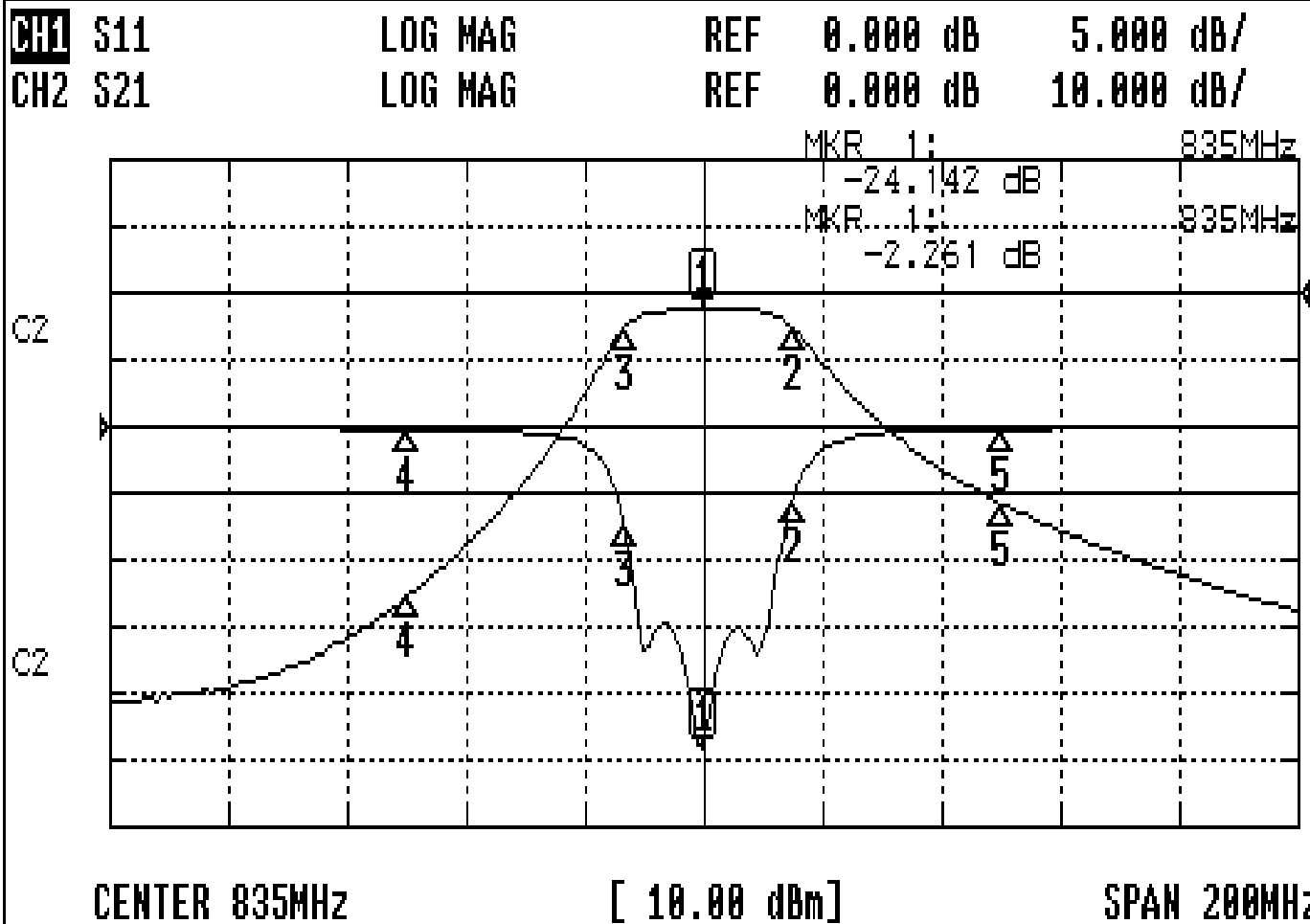
TEMWELL CORPORATION

TEMWELL

Form10-7H3BT Vision D RP(Y.H.Y)

# Performance-K3BT-835M-20M

## 200906101CD



### CH1 MARKER LIST

1:	835.000MHz	-24.107 dB
2:	850.040MHz	-5.414 dB
3:	821.680MHz	-7.504 dB
4:	785.000MHz	-0.204 dB
5:	885.000MHz	-0.186 dB
6:		
7:		
8:		
9:		
10:		

### CH2 MARKER LIST

1:	835.000MHz	-2.260 dB
2:	850.040MHz	-5.255 dB
3:	821.680MHz	-5.275 dB
4:	785.000MHz	-45.484 dB
5:	885.000MHz	-31.475 dB
6:		
7:		
8:		
9:		
10:		