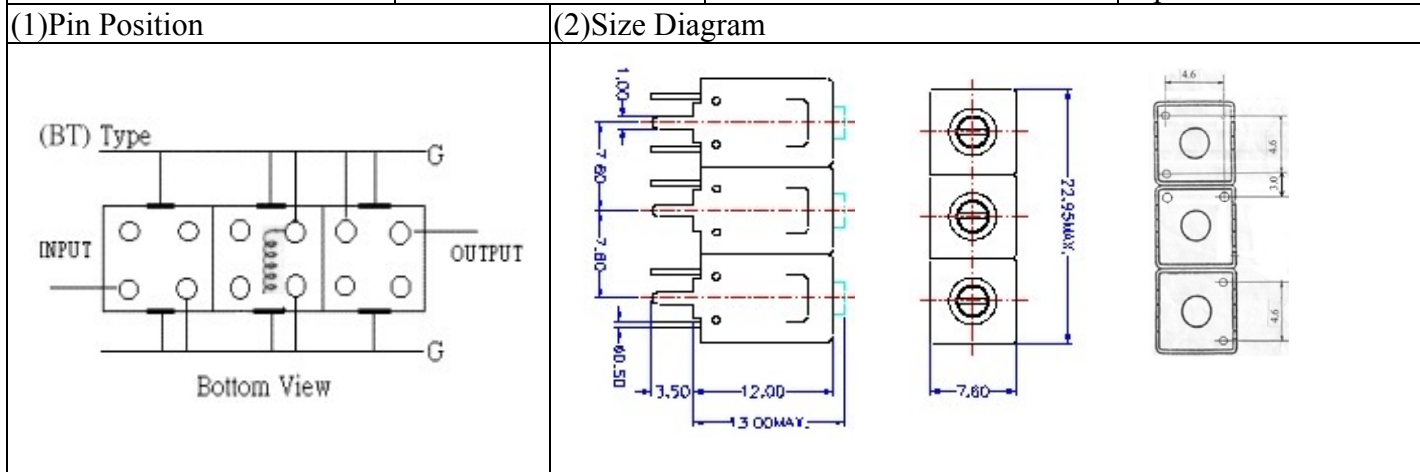


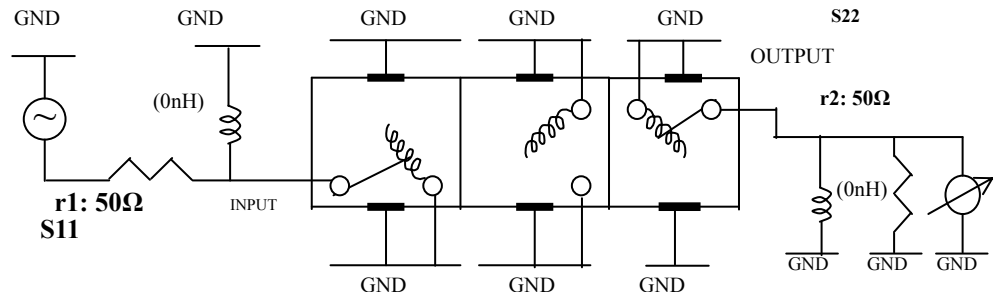
# VHF UHF Helical Filter Specification Sheet

Customer Name		Temwell's Part No.	K3BT-880M-25M
Approval No. /dated	0908092CD	Temwell's print name.	K3BT 880M
Work Instruction No.	200908092CD	Date	Sep.18.2009



(3) Electric Characteristic			
Item		Specify	Performance
Center Freq.(Fo) +/- 0.5 %		880 MHz	880 MHz
Insertion Loss		Typ. 3.5 dB	1.96 dB
-3 dB Bandwidth		Typ. 25 MHz	30.5 MHz
Sensitivity (Attenuation)	Fo - 40MHz	Typ. 20 dBc	26 dBc
	Fo +40MHz	Typ. 15 dBc	18 dBc
	Fo - ( )MHz	Typ. dBc	dBc
	Fo + ( )MHz	Typ. dBc	dBc
Return Loss		Min. 12 dB	24.6 dB
Ripple		< 1 dB	dB
Impedance		In / Out : 50 Ω	In / Out : 50 Ω
(4) Torque for Tuning Screw		> 100gf • cm	
(5) Temperature Condition:			
Operating Temperature		0°C ~ +60°C	
Storage Temperature		-20°C ~ +70°C	
(6) Input Power		> 1Watt	

(7) Measuring Circuit: ※Easy to match Impedance S11/S22 50Ω by parallel with about( 0nH) / (0nH).



(Bottom View)

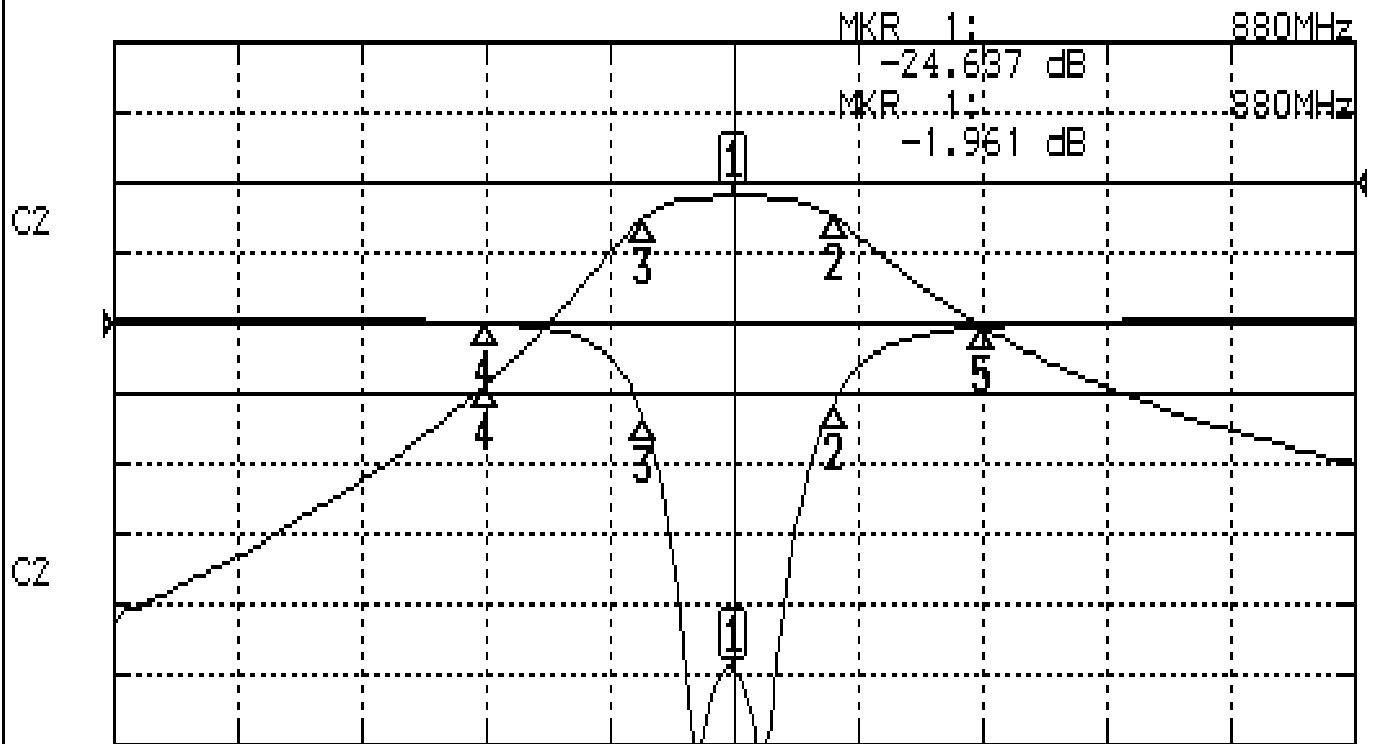
Approval C.Y.Chang	Supervisor C.S.Chang	Designer H.Y.Hui	Aperture size 7H3(4*6.5)(6.61) 7H046RB4
-----------------------	-------------------------	---------------------	---

TEMWELL CORPORATION

# Performance-K3BT-880M-25M

## 200908092CD

CH1 S11 LOG MAG REF 0.000 dB 5.000 dB/  
 CH2 S21 LOG MAG REF 0.000 dB 10.000 dB/



CENTER 880MHz

[ 10.00 dBm ]

SPAN 200MHz

### CH1 MARKER LIST

1:	880.000MHz	-24.637 dB
2:	896.000MHz	-5.760 dB
3:	865.500MHz	-6.742 dB
4:	840.000MHz	-0.010 dB
5:	920.000MHz	-0.263 dB

### CH2 MARKER LIST

1:	880.000MHz	-1.961 dB
2:	896.000MHz	-4.922 dB
3:	865.500MHz	-4.987 dB
4:	840.000MHz	-28.789 dB
5:	920.000MHz	-20.518 dB