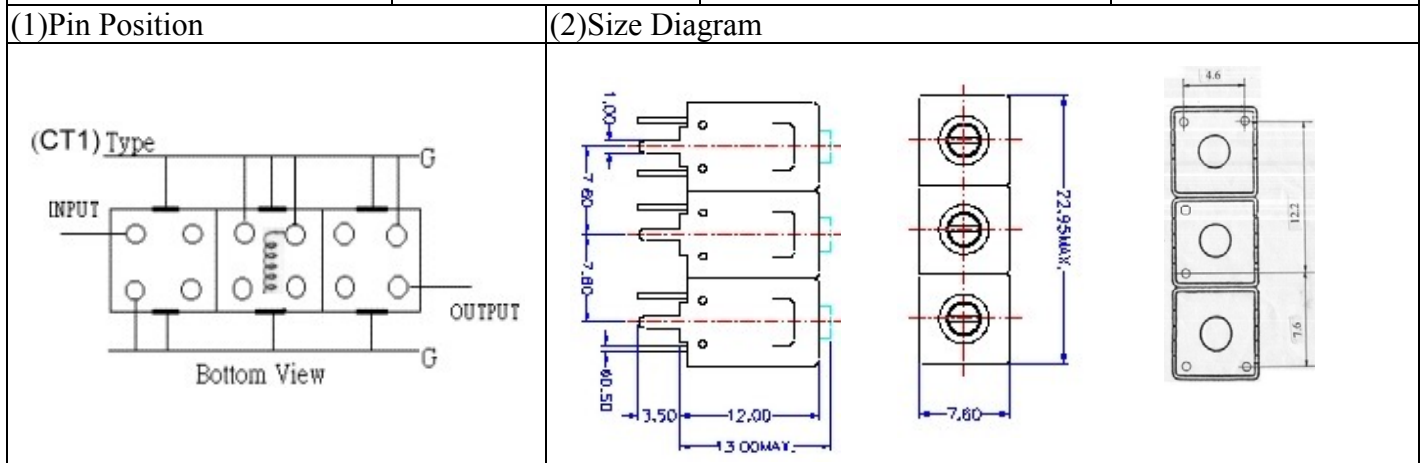


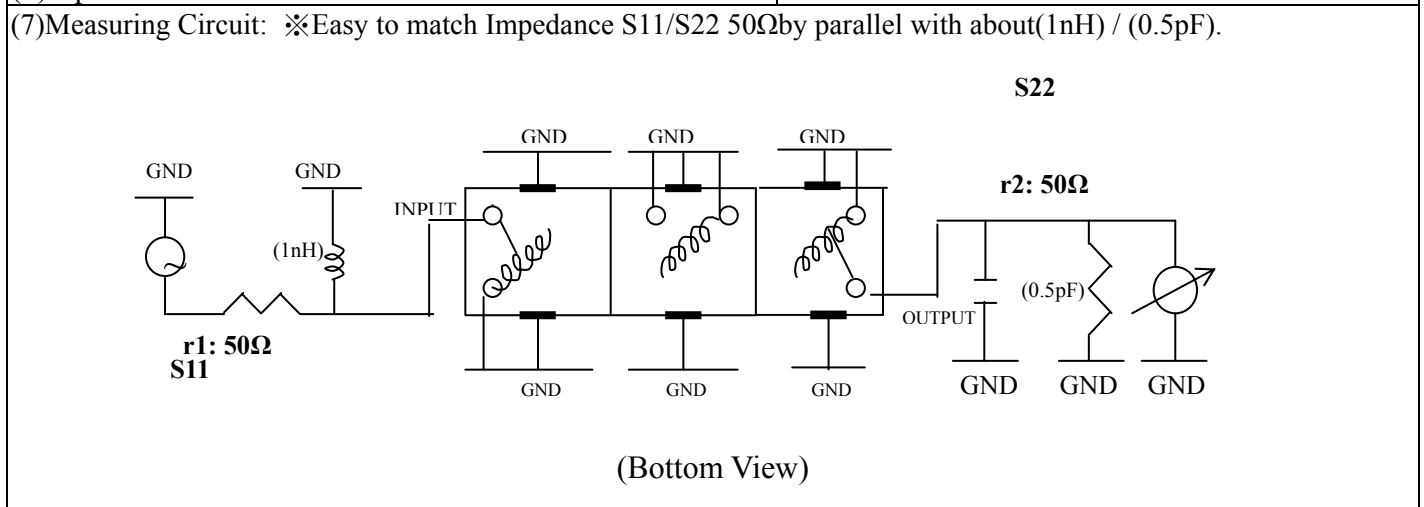
VHF UHF Helical Filter Specification Sheet

Customer Name		Temwell's Part No.	K3CT1-833M-16M
Approval No. /dated	20402076DC	Customer's Part No.	
Work Instruction No.	20402076DC	Date	Mar.01.2004



(3) Electric Characteristic			
Item		Specify	Performance
Center Freq.(Fo) +/- 0.5 %		833 MHz	833 MHz
Tunable Range: <input type="checkbox"/> Fo±5MHz <input type="checkbox"/> Fo±10MHz <input type="checkbox"/> Fo±15MHz		833±15 MHz	833±15 MHz
Insertion Loss		Max. 3.5 dB	2.9 dB
-3 dB Bandwidth		Typ. 16 MHz	23 MHz
Sensitivity (Attenuation)	Fo - 50 MHz	Typ. 30 dB	36 dBc
	Fo + 50 MHz	Typ. 25 dB	27 dBc
	Fo - ()MHz	Typ. dB	dBc
	Fo + ()MHz	Typ. dB	dBc
Return Loss		Min. 12 dB	22 dB
Ripple		< 1 dB	dB
Impedance		In / Out : 50 Ω	In / Out : 50 Ω
(4) Torque for Tuning Screw		> 60gf • cm	

(5) Temperature Condition:	
Operating Temperature	0°C ~ +60°C
Storage Temperature	-20°C ~ +70°C
(6) Input Power	> 1 Watt



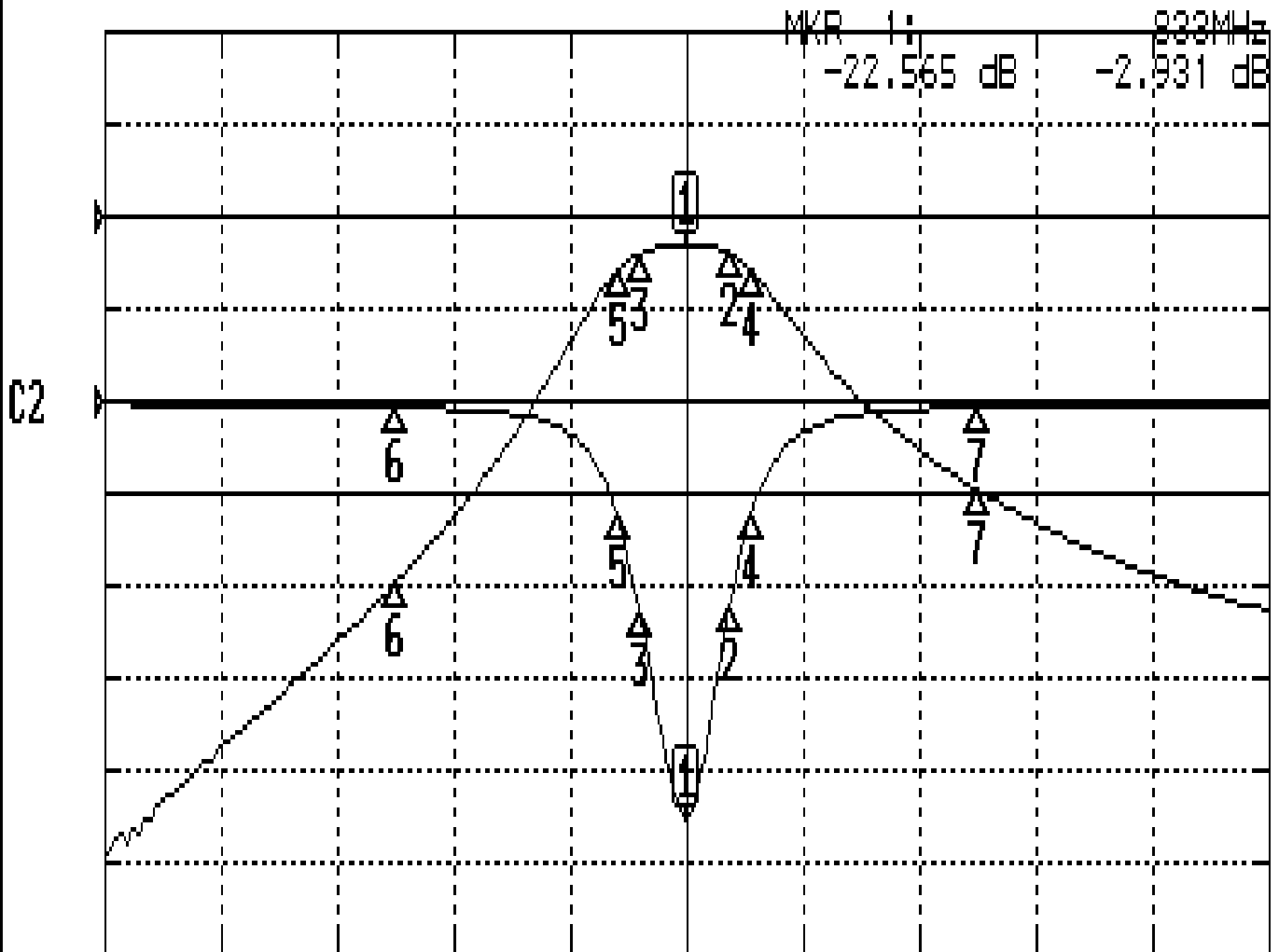
Approval	Supervisor	Designer	Aperture size
	C.S.Chang	Enlan	7H3(4*5.5)(5.6)F

TEMWELL CORPORATION

Performance-K3CT1-833M-16M

20402076DC

CH1 S11&S21 LOG MAG REF 0.000 dB 5.000 dB/



CENTER 833MHz

[10.00 dBm]

SPAN 200MHz

CH1 MARKER LIST

1:	833.000MHz	-22.565 dB	-2.931 dB
2:	840.500MHz	-11.096 dB	-3.969 dB
3:	825.000MHz	-11.422 dB	-3.981 dB
4:	844.333MHz	-5.986 dB	-5.939 dB
5:	821.000MHz	-6.083 dB	-5.964 dB
6:	783.000MHz	-0.295 dB	-39.655 dB
7:	883.000MHz	-0.311 dB	-29.657 dB