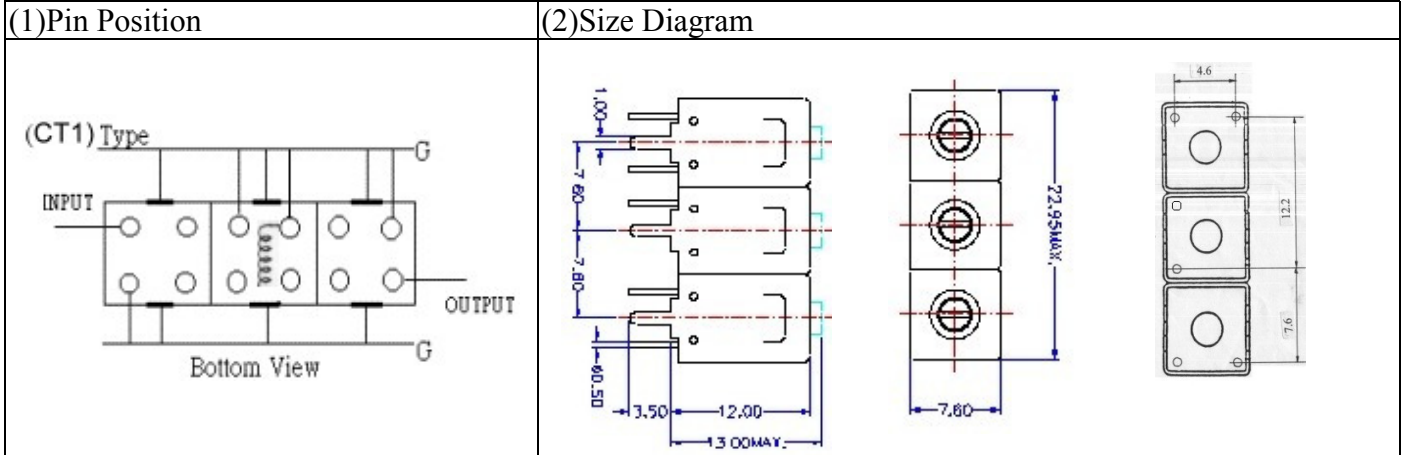
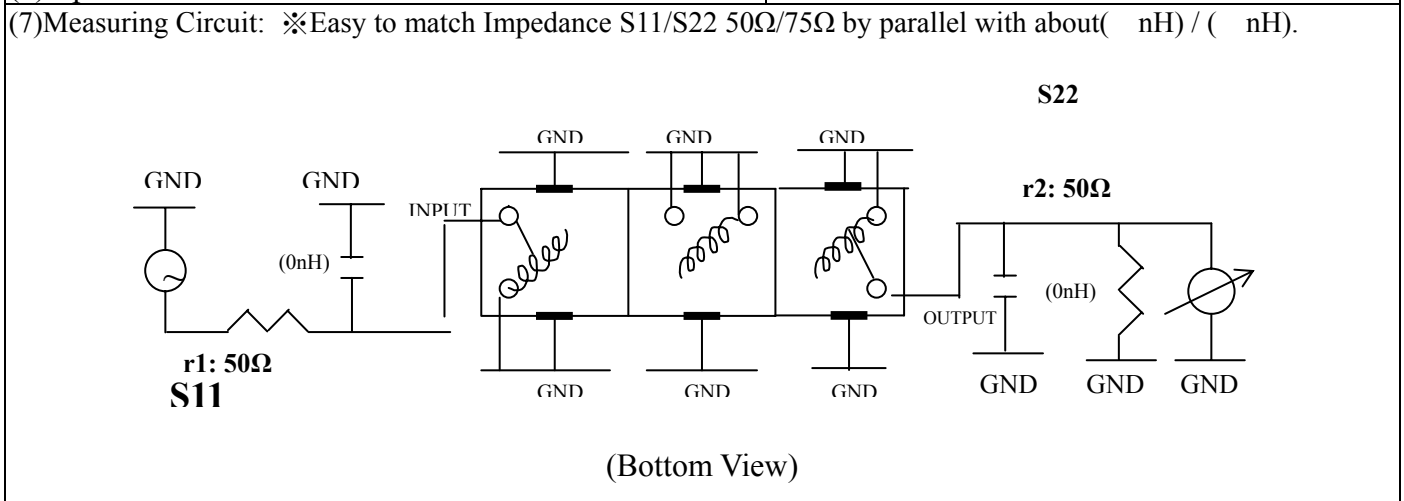


VHF UHF Helical Filter Specification Sheet

Customer Name		Temwell's Part No.	K3CT1-860.5M-23M
Approval No. /dated	0908091CD	Temwell's printname.	K3CT1 860.5M
Work Instruction No.	200908091CD	Date	Sep.14.09



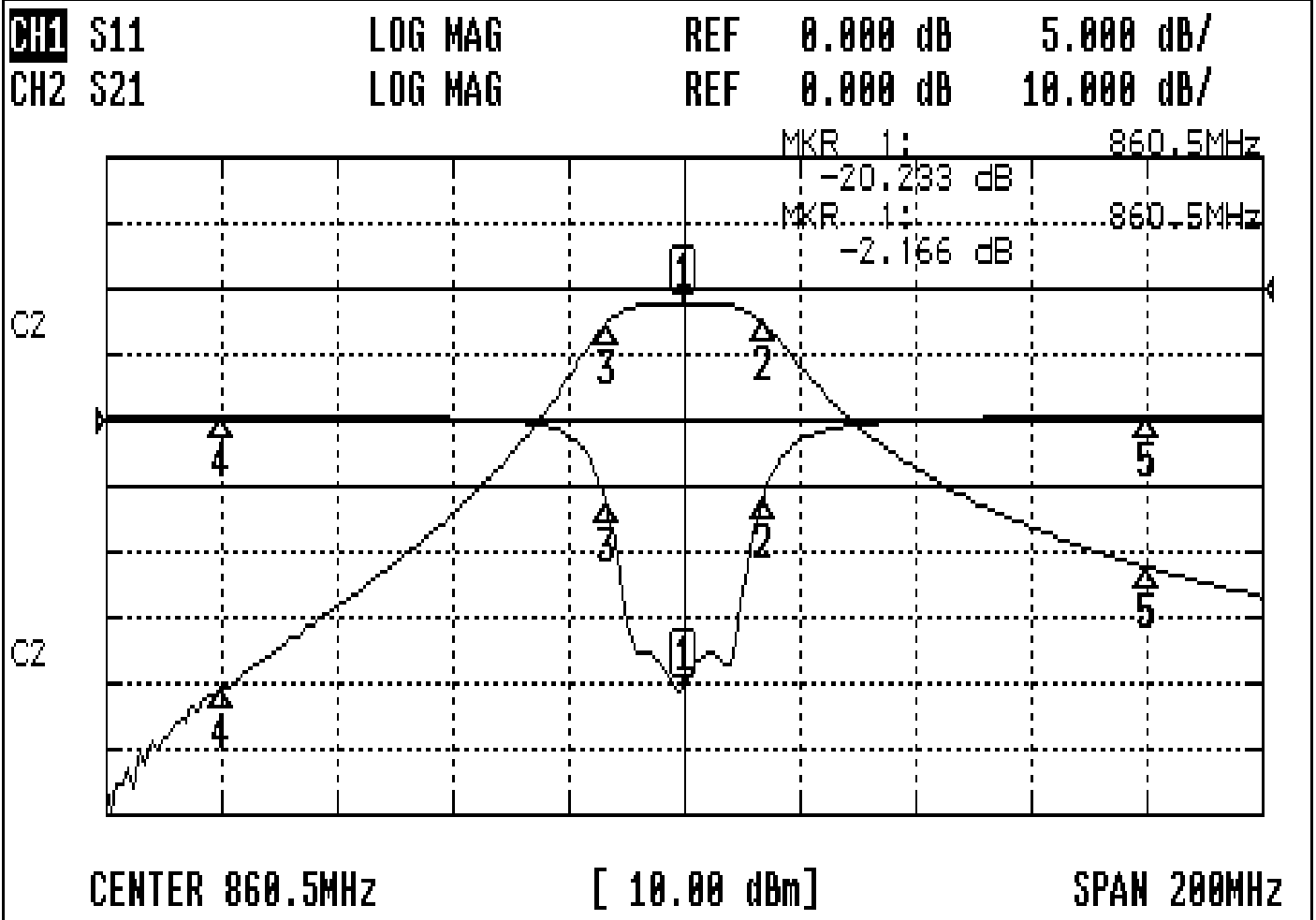
(3) Electric Characteristic					
Item		Specify		Performance	
Center Freq.(Fo) +/- 0.5 %		860.5 MHz		860.5 MHz	
Insertion Loss		Typ. 3.5 dB		2.16 dB	
-3 dB Bandwidth		Typ. 23 MHz		27.3 MHz	
Sensitivity (Attenuation)	Fo - 80 MHz	Typ. 47 dBc		59 dBc	
	Fo + 80 MHz	Typ. 35 dBc		40 dBc	
	Fo - ()MHz	Typ. dBc		dBc	
	Fo +()MHz	Typ. dBc		dBc	
Return Loss		Min. 12 dB		20.2 dB	
Ripple		< 1 dB		dB	
Impedance		In / Out : 50 Ω		In / Out : 50 Ω	
(4) Torque for Tuning Screw		> 100gf · cm			
(5) Temperature Condition:					
Operating Temperature		0°C ~ +60°C			
Storage Temperature		-20°C ~ +70°C			
(6) Input Power		> 1Watt			



Approval	Supervisor	Designer	Aperture size
C.Y.Chang	C.K.Chang	L.F.Lai	7H3S(4*5.5)(4.59) 7H046RB4
TEMWELL CORPORATION			

Performance-K3CT1-860.5M-23M

200908091CD



CH1 MARKER LIST			
1:	860.500MHz	-20.233	dB
2:	874.333MHz	-15.757	dB
3:	847.000MHz	-6.147	dB
4:	780.500MHz	0.243	dB
5:	940.500MHz	0.281	dB

CH2 MARKER LIST			
1:	860.500MHz	-2.166	dB
2:	874.333MHz	-1.185	dB
3:	847.000MHz	-1.285	dB
4:	780.500MHz	-60.792	dB
5:	940.500MHz	-42.367	dB