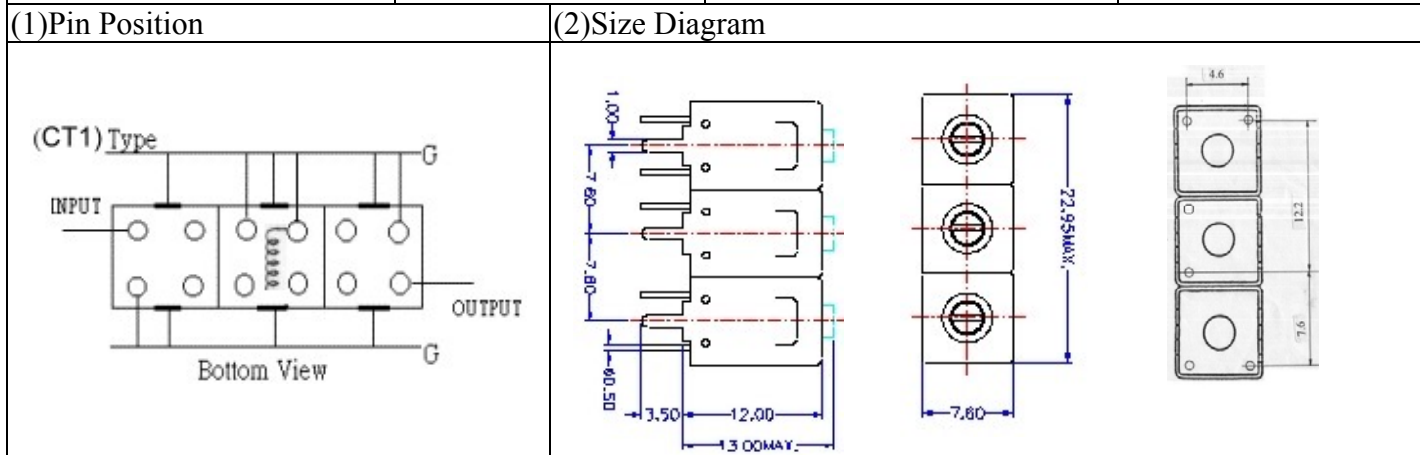


# VHF UHF Helical Filter Specification Sheet

Customer Name		Temwell's Part No.	K3CT1-904M-20M
Approval No. /dated	200812074C	Temwell's Print Name.	K3CT1 904M
Work Instruction No.	200812074C	Date	Dec.29.2008



(3) Electric Characteristic

Item	Specify	Performance	
Center Freq.(Fo) +/- 0.5 %	904 MHz	904 MHz	
Tunable Range:	904±10 MHz	904±10 MHz	
Insertion Loss	Typ. 3.5 dB	2.35 dB	
-3 dB Bandwidth	Typ. 20 MHz	25.8 MHz	
Sensitivity (Attenuation)	Fo - 60 MHz	Typ. 35 dB	43 dB
	Fo + 60 MHz	Typ. 28 dB	29 dB
	Fo - ( )MHz	Typ. dB	dB
	Fo + ( )MHz	Typ. dB	dB
Return Loss	Min. 12 dB	22.40 dB	
Ripple	< 1 dB	dB	
Impedance	In / Out : 50 Ω	In / Out : 50 Ω	

(4) Torque for Tuning Screw > 100gf · cm

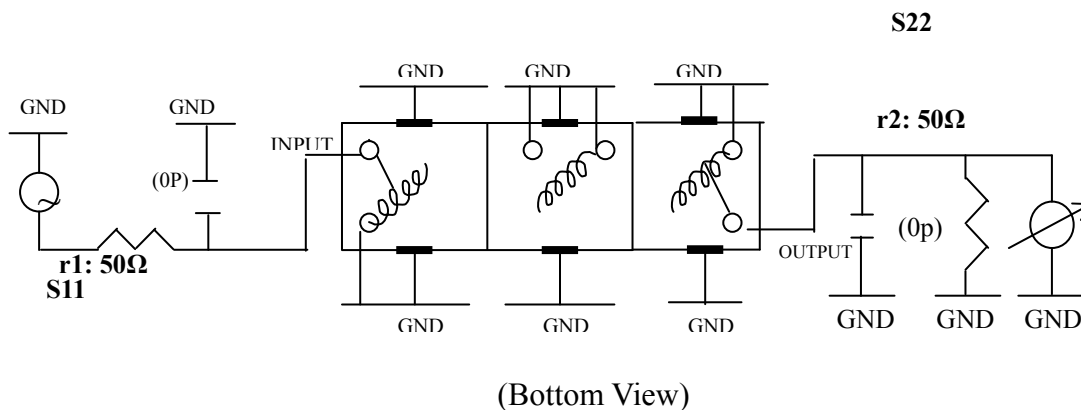
(5) Temperature Condition:

Operating Temperature 0°C ~ +60°C

Storage Temperature -20°C ~ +70°C

(6) Input Power > 1Watt

(7) Measuring Circuit: ※Easy to match Impedance S11/S22 50Ω by parallel with about(0P) / (0p).



Approval	Supervisor	Designer	Aperture size
C.Y.Chang	C.S.Chang	W.W.Wang	7H3S(4*5.5)F(5.61) 7H046RB4

TEMWELL CORPORATION

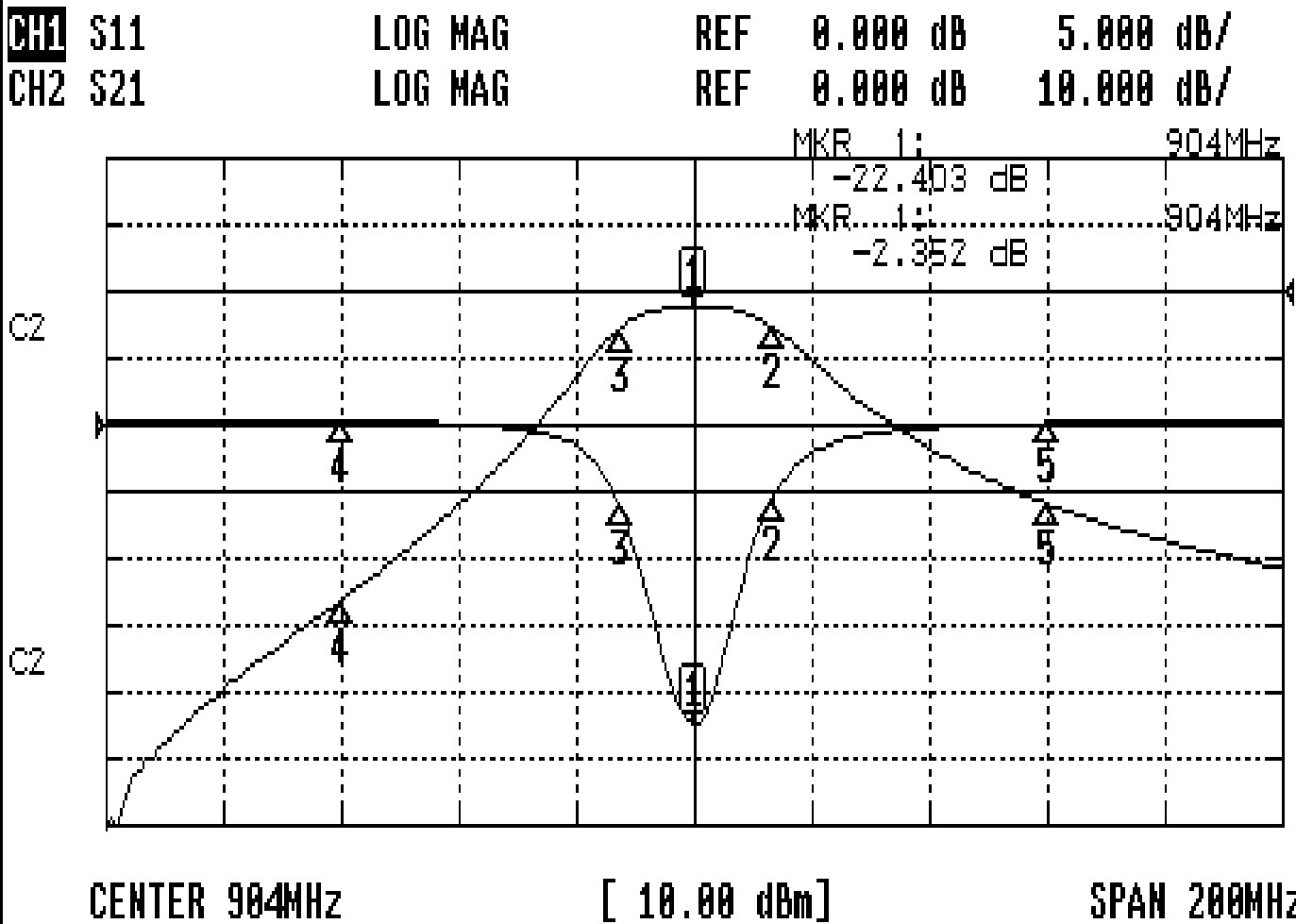
TEMWELL

Form10-7H3CT1 Vision D

RP(W.W.W)

# Performance-K3CT1-904M-20M

200812074C



## CH1 MARKER LIST

Marker	Frequency (MHz)	Value (dB)
1:	904.000MHz	-22.403 dB
2:	917.333MHz	-15.549 dB
3:	891.500MHz	-6.072 dB
4:	844.000MHz	0.278 dB
5:	964.000MHz	0.148 dB

## CH2 MARKER LIST

Marker	Frequency (MHz)	Value (dB)
1:	904.000MHz	-2.356 dB
2:	917.333MHz	-15.278 dB
3:	891.500MHz	-15.386 dB
4:	844.000MHz	-46.186 dB
5:	964.000MHz	-31.776 dB