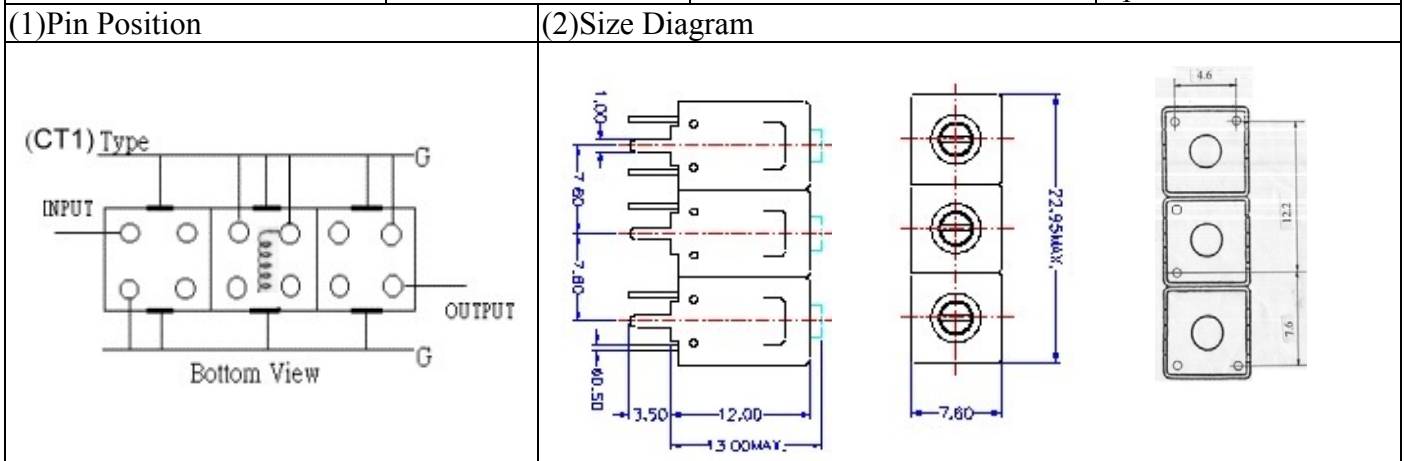


VHF UHF Helical Filter Specification Sheet

Customer Name		Temwell's Part No.	K3CT1-915M-12M
Approval No. /dated	20404067DC	Customer's Part No.	
Work Instruction No.	20404067DC	Date	Apr.23.2004



(3) Electric Chararistic

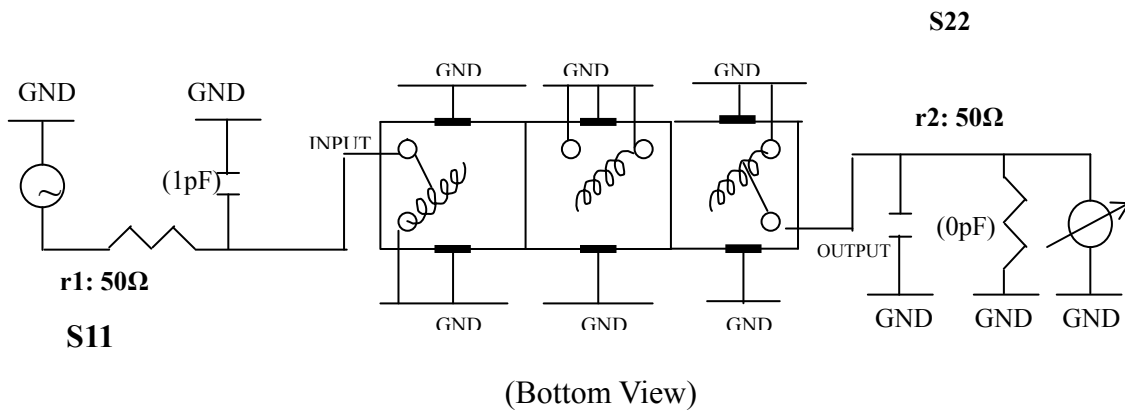
Item	Specify	Performance	
Center Freq.(Fo) +/- 0.5 %	915 MHz	915 MHz	
Tunable Range: <input type="checkbox"/> Fo±5MHz <input checked="" type="checkbox"/> Fo±10MHz <input type="checkbox"/> Fo±15MHz	915±10 MHz	915±10 MHz	
Insertion Loss	Typ. 5.0 dB	4.0 dB	
-3 dB Bandwidth	Typ. 12 MHz	20 MHz	
Sensitivity (Attenuation)	Fo - 90 MHz	Typ. 48 dBc	76 dBc
	Fo + 90 MHz	Typ. 40 dBc	48 dBc
	Fo - ()MHz	Typ. dBc	dBc
	Fo +()MHz	Typ. dBc	dBc
Return Loss	Min. 12 dB	16 dB	
Ripple	< 1 dB	dB	
Impedance	In / Out : 50 Ω	In / Out : 50 Ω	
(4) Torque for Tuning Screw	> 60gf · cm		

(5) Temperature Condition:

Operating Temperature	0°C ~ +60°C
Storage Temperature	-20°C ~ +70°C

(6) Input Power

(7) Measuring Circuit: ※Easy to match Impedance S11/S22 50Ω/ by parallel with about(0~1pF) / (0pF).



Approval	Supervisor	Designer	Aperture size
	C.S.Chang	P.H.Ching	7H3(4*4.65)(4.68)

TEMWELL CORPORATION

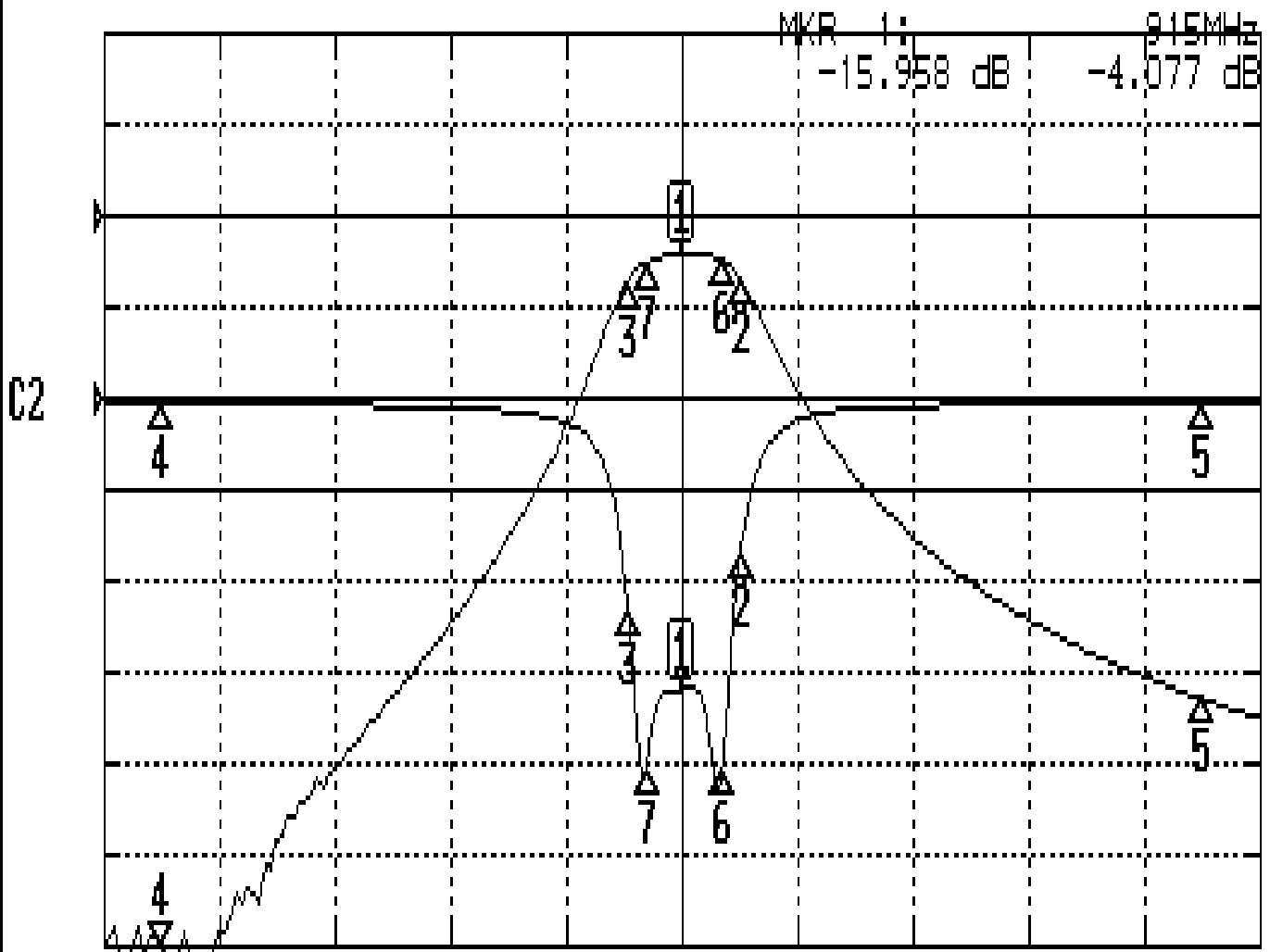
TEMWELL

Form10-7H3CT1 Vision D

Performance-K3CT1-915M-12M

204040067DC

CH1 S11&S21 LOG MAG REF 0.000 dB 10.000 dB/



CENTER 915MHz

[10.00 dBm]

SPAN 200MHz

CH1 MARKER LIST

1:	915.000MHz	-15.958 dB	-4.077 dB
2:	925.333MHz	-8.239 dB	-7.858 dB
3:	905.833MHz	-11.550 dB	-7.838 dB
4:	825.000MHz	-0.305 dB	-80.756 dB
5:	1.005 000GHz	-0.353 dB	-52.831 dB
6:	922.166MHz	-20.179 dB	-5.009 dB
7:	909.000MHz	-20.270 dB	-5.036 dB