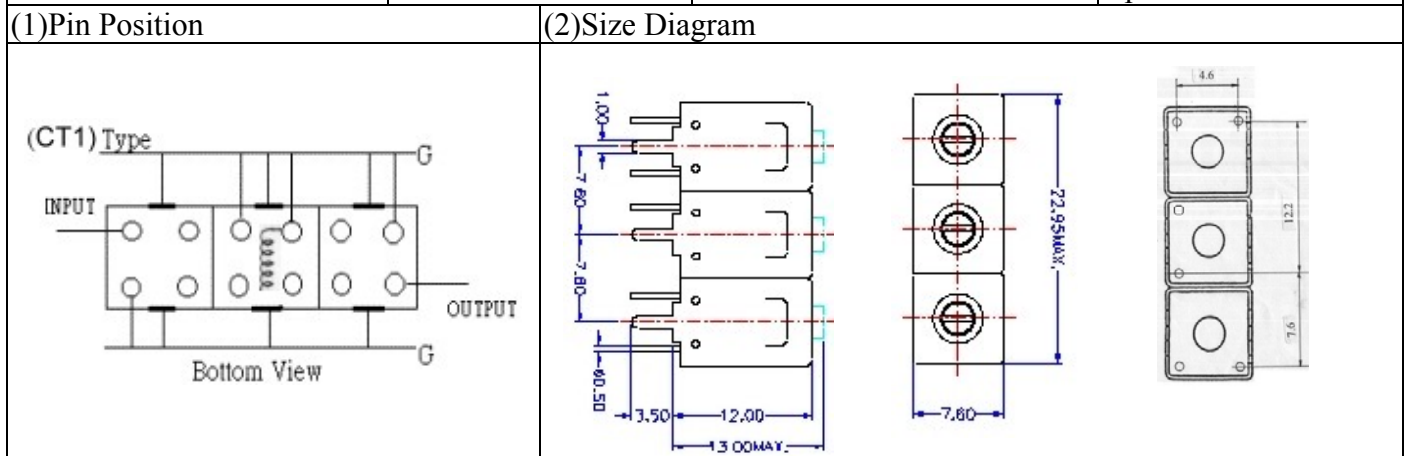


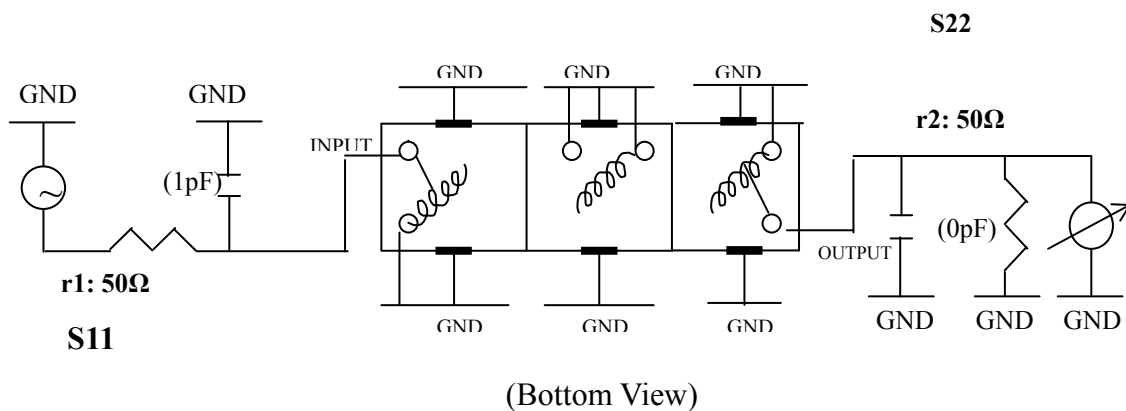
VHF UHF Helical Filter Specification Sheet

Customer Name		Temwell's Part No.	K3CT1-938M-15M
Approval No. /dated	20404068DC	Customer's Part No.	
Work Instruction No.	20404068DC	Date	Apr.23.2004



(3) Electric Characteristic			
Item		Specify	Performance
Center Freq.(Fo) +/- 0.5 %		938 MHz	938 MHz
Tunable Range: <input type="checkbox"/> Fo±5MHz <input checked="" type="checkbox"/> Fo±10MHz <input type="checkbox"/> Fo±15MHz		938±10 MHz	938±10 MHz
Insertion Loss		Typ. 5.0 dB	4.4 dB
-3 dB Bandwidth		Typ. 15 MHz	18 MHz
Sensitivity (Attenuation)	Fo - 30 MHz	Typ. 23 dBc	31 dBc
	Fo + 30 MHz	Typ. 19 dBc	24 dBc
	Fo - ()MHz	Typ. dBc	dBc
	Fo + ()MHz	Typ. dBc	dBc
Return Loss		Min. 12 dB	15 dB
Ripple		< 1 dB	dB
Impedance		In / Out : 50 Ω	In / Out : 50 Ω
(4) Torque for Tuning Screw		> 60gf · cm	
(5) Temperature Condition:			
Operating Temperature		0°C ~ +60°C	
Storage Temperature		-20°C ~ +70°C	
(6) Input Power		> 1 Watt	

(7) Measuring Circuit: ※Easy to match Impedance S11/S22 50Ω/ by parallel with about(0~1pF) / (0pF).



Approval	Supervisor	Designer	Aperture size
	C.S.Chang	P.H.Ching	7H3(4*4.65)(4.69)

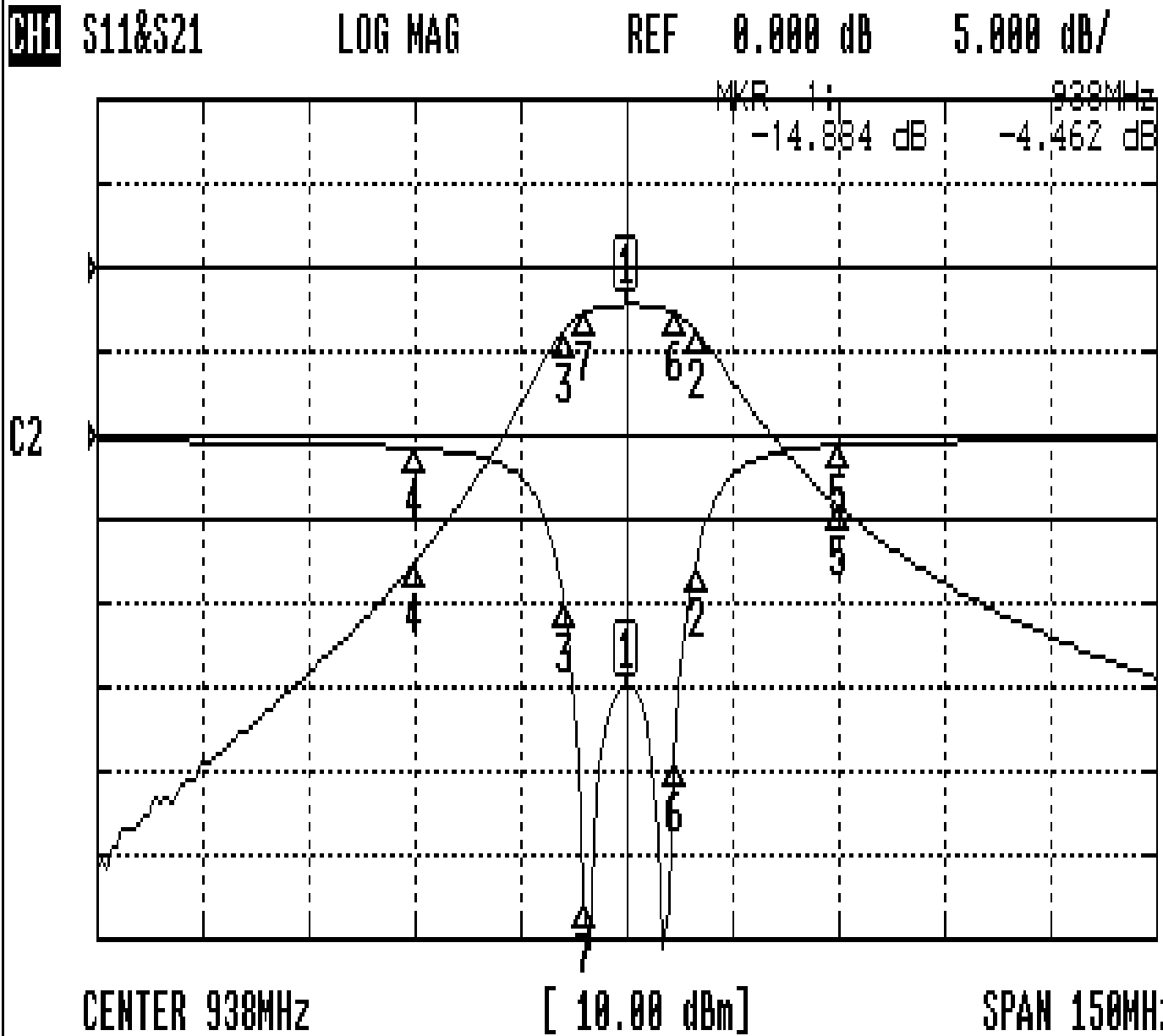
TEMWELL CORPORATION

TEMWELL

Form10-7H3CT1 Vision D

Performance-K3CT1-938M-15M

20404068DC



CH1 MARKER LIST

1:	938.000MHz	-14.884 dB	-4.462 dB
2:	947.750MHz	-7.791 dB	-7.447 dB
3:	929.250MHz	-10.152 dB	-7.489 dB
4:	908.000MHz	-0.758 dB	-35.207 dB
5:	968.000MHz	-0.588 dB	-28.448 dB
6:	944.750MHz	-19.589 dB	-5.418 dB
7:	932.125MHz	-28.772 dB	-5.433 dB