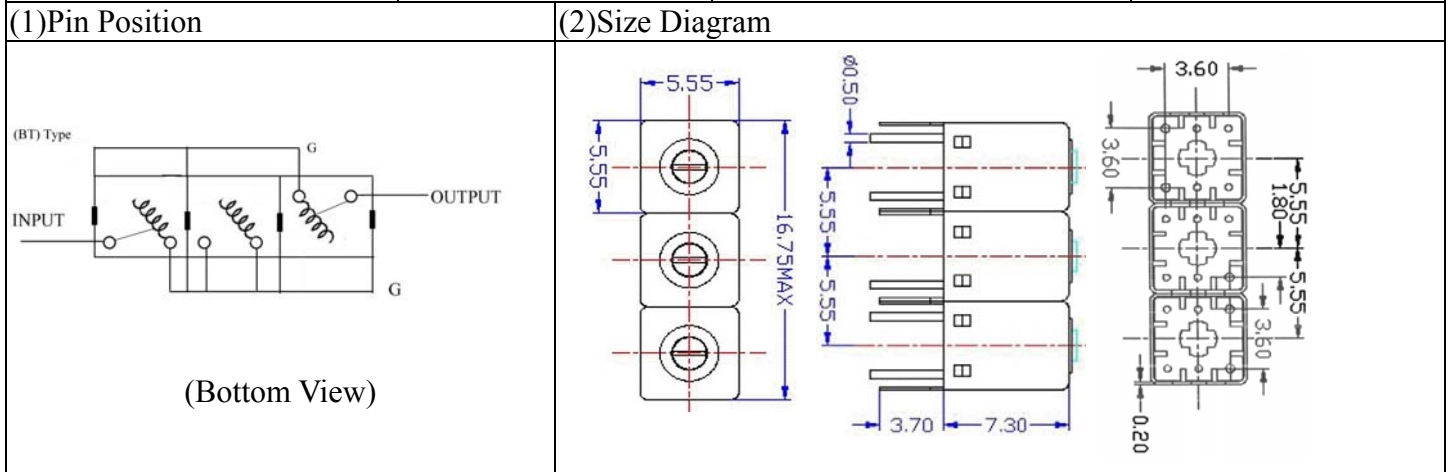


VHF UHF Helical Filter Specification Sheet

Customer Name		Temwell's Part No.	K3RBT-1010M-20M
Approval No. /dated	0909076CD	Temwell's Print name.	K3RBT 1010M
Work Instruction No.	200909076CD	Date	Nov.30.2009



(3) Electric Characteristic

Item	Specify	Performance	
Center Freq.(Fo) +/- 0.5 %	1010 MHz	1010 MHz	
Insertion Loss	Typ. 4.0 dB	3.52 dB	
-3 dB Bandwidth	Typ. 20 MHz	27.3 MHz	
Sensitivity (Attenuation)	Fo - 50 MHz	Typ. 18 dBc	33 dBc
	Fo + 50 MHz	Typ. 14 dBc	27 dBc
	Fo - ()MHz	Typ. dBc	dBc
	Fo +()MHz	Typ. dBc	dBc
Return Loss	Min. 12 dB	30.8 dB	
Ripple	< 1 dB	dB	
Impedance	In / Out : 50 Ω	In / Out : 50 Ω	
(4) Torque for Tuning Screw	> 60gf · cm		

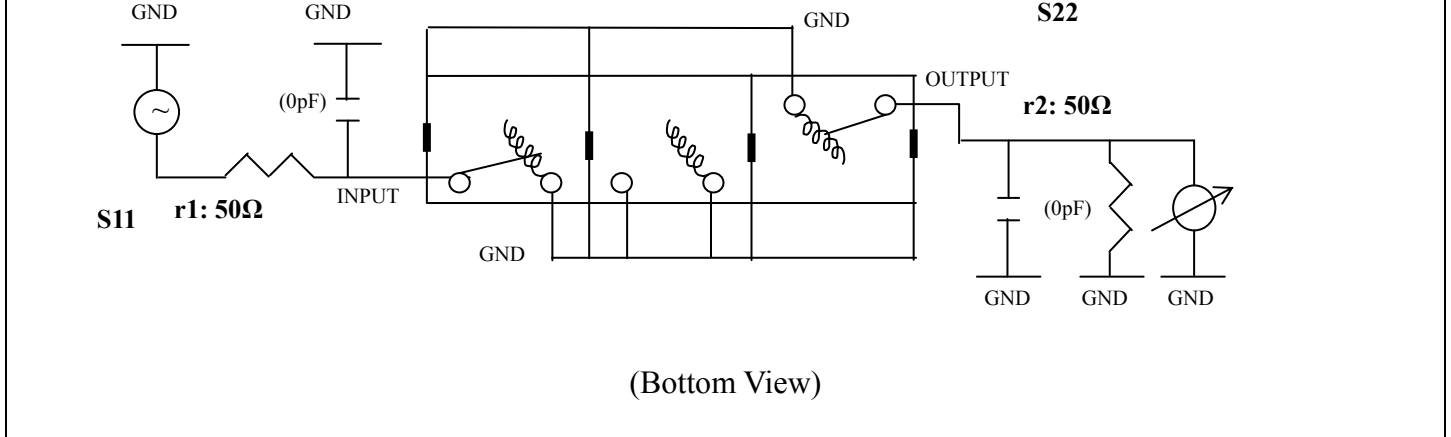
(5) Temperature Condition:

Operating Temperature	0°C ~ +60°C
Storage Temperature	-20°C ~ +70°C

(6) Input Power

	> 0.5Watt
--	-----------

(7) Measuring Circuit: ※Easy to match Impedance S11/S22 50 Ω by parallel with about(0pF) / (0pF).

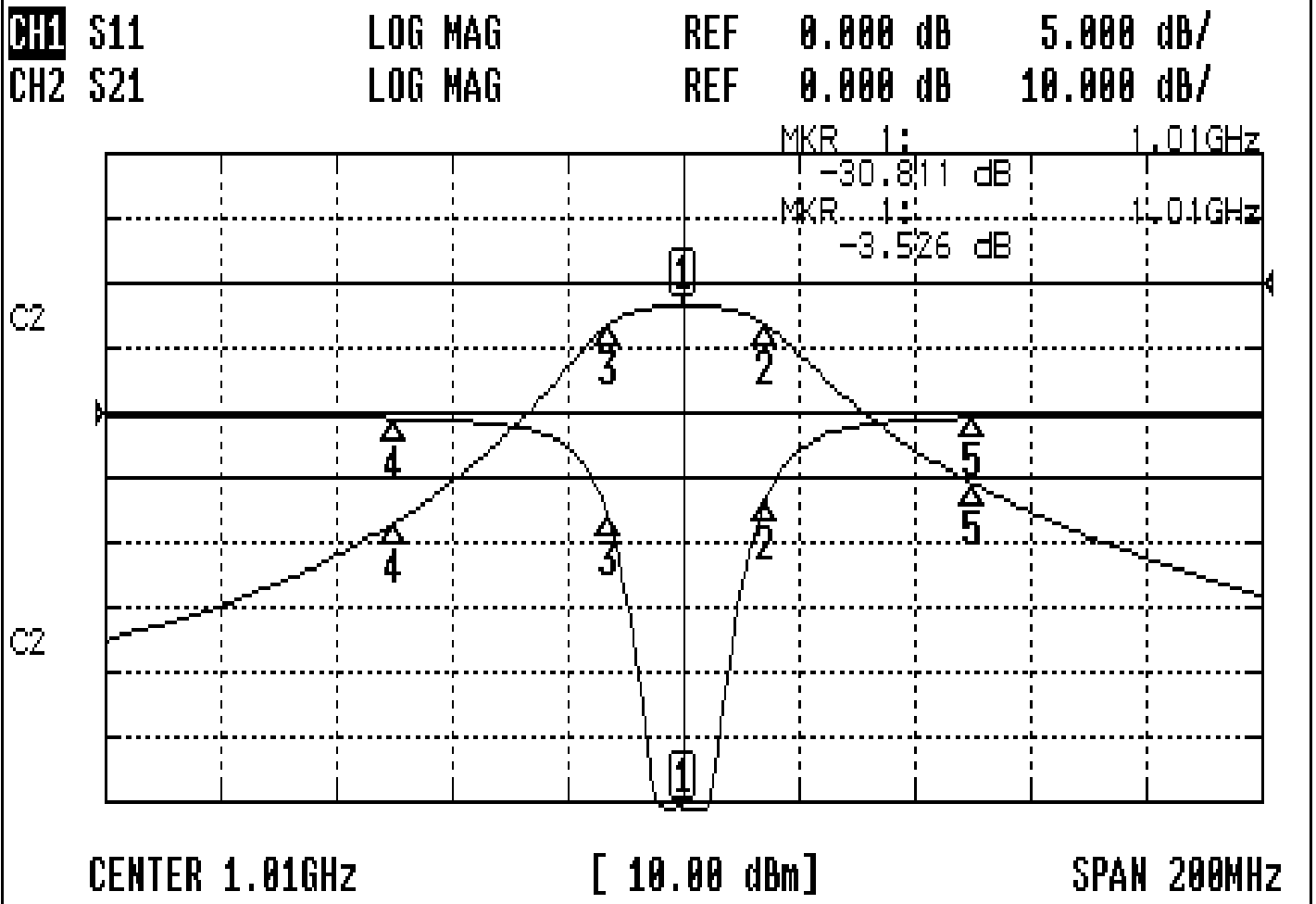


Approval	Supervisor	Designer	Aperture size
C.Y.Chang	C.K.Chang	W.W.Wang	5R3S(3.8*3.7)(3.77) 5HW024RB3

TEMWELL CORPORATION

Performance-K3RBT-1010M-20M

200909076CD



CH1 MARKER LIST

1	1.010 000GHz	-30.811 dB
2	1.024 333GHz	-6.889 dB
3	997.000MHz	-7.865 dB
4	960.000MHz	-0.452 dB
5	1.060 000GHz	-0.412 dB

CH2 MARKER LIST

1	1.010 000GHz	-3.526 dB
2	1.024 333GHz	-6.519 dB
3	997.000MHz	-6.518 dB
4	960.000MHz	-6.944 dB
5	1.060 000GHz	-30.949 dB